



Water sphere

	Fresh Water	Pool Water	Sea Water	220-240 V	400 V	110-120 V	50 Hz	60 Hz	12 V AC	24 V DC	DMX	DMX/RDM	Plug and Spray
Water sphere													
Water hemisphere													

WATER SPHERES 900/37 TO 6000/450 E

WATER HEMISPHERES H 900/25 TO H 6000/248 E



Water hemisphere

The artistic water pattern that is generated by the sphere effect nozzles requires a lot of space in order to unfold its enchanting effect. It lends any location a very special attractive force, even from a distance.

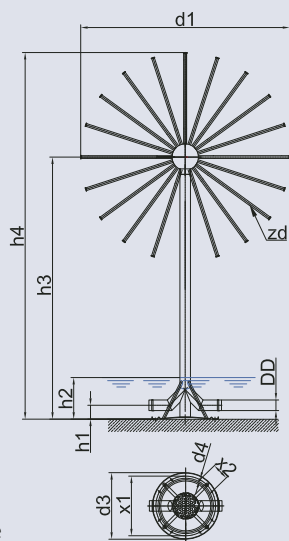
Product characteristics at a glance

- Sculptural, amazing water pattern
- Decorative stainless steel sculpture
- Extensively wind-stable
- Water-level independent

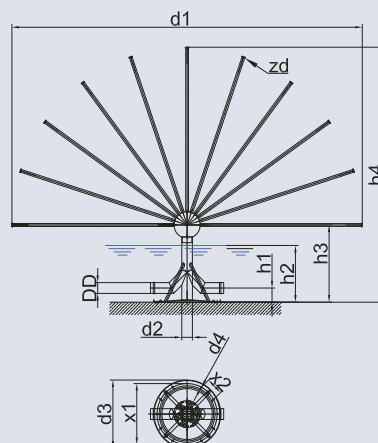
The fountain attachments are primarily made of stainless steel which makes them attractive sculptures even if they are not spraying water.

However, their special flair unfolds once the fine waterveil escaping from the uniformly arranged nozzles converges to form a gentle sphere.

Depending on size the spheres consist of a different number of nozzles. Operation of the spheres and hemispheres is even possible in strong wind in spite of the relatively fine water veil.



Water sphere



Water hemisphere

Water hemisphere	H 900/25 E	H 1200/49 E	H 1500/73 E	H 2500/73 E	H 3500/210 E	H 6000/248 E
Dimensions (ØxH) [mm]	900 x 950	1200 x 1100	1500 x 1250	2500 x 1850	3500 x 2350	6000 x 3650
zd [pieces]	25	49	73	73	210	248
DWB [l/min]	250	490	730	730	2310	3720
DDB [bar]	0,9	0,9	1,0	1,1	1,3	1,5
MBD [mm]	1500	2000	2500	3500	5000	9000
DD [mm]	1 x DN 65	1 x DN 65	1 x DN 65	1 x DN 65	2 x DN 80	3 x DN 100
d1 [mm]	900	1200	1500	2500	3500	6000
d2 [mm]	76	76	76	76	160	220
d3 [mm]	475	475	475	475	1000	1000
d4 [mm]	12	12	12	12	22	22
h1 [mm]	100	100	100	100	100	125
h2 [mm]	300	300	300	400	500	500
h3 [mm]	500	500	500	600	600	650
h4 [mm]	950	1100	1250	1850	2350	3650
x1 [mm]	430	430	430	430	900	900
x2 [mm]	123	123	123	123	200	200
Material	Tombac / stainless steel 1.4301 (AISI 304)					
Weight [kg]	25	42	65	100	650	1800
Order no.	50897	50898	50899	51762	51763	51764

Water sphere	900/37 E	1200/79 E	1500/127 E	2500/127 E	3500/380 E	6000/450 E
Dimensions (ØxH) [mm]	900 x 1800	1200 x 2200	1500 x 2600	2500 x 3600	3500 x 5850	6000 x 9600
zd [pieces]	37	79	127	127	380	450
DWB [l/min]	370	790	1270	1270	4180	6750
DDB [bar]	1,0	1,0	1,1	1,2	1,6	2,0
MBD [mm]	2000	2500	3000	4500	6000	10000
DD [mm]	1 x DN 65	1 x DN 65	2 x DN 65	2 x DN 65	4 x DN 65	6 x DN 100
d1 [mm]	900	1200	1500	2500	3500	6000
d2 [mm]	76	76	76	76	160	220
d3 [mm]	475	475	475	475	1000	1500
d4 [mm]	12	12	12	12	22	26
h1 [mm]	100	100	100	100	100	125
h2 [mm]	300	300	300	400	500	500
h3 [mm]	1350	1600	1850	2350	4100	6600
h4 [mm]	1800	2200	2600	3600	5850	9600
x1 [mm]	430	430	430	430	900	1400
x2 [mm]	123	123	123	123	200	250
Material	Tombac / stainless steel 1.4301 (AISI 304)					
Weight [kg]	32	56	100	160	1100	3100
Order no.	50894	50895	50896	51759	51760	51761