



	Fresh Water	Pool Water	Sea Water	220-240 V	400 V	110-120 V	50 Hz	60 Hz	12 V AC	24 V DC	DMX	DMX/RDM	Plug and Spray
Varionaut 270/DMX/02	✓	✓	✓	✓	✓	✓	✓	✓	✓	✓	✓	✓	✓

VARIONAUT 270/DMX/02

The new high dynamic fountain pump Varionaut 270 / DMX / 02 closes the gap between the existing Varionaut 150 and Varionaut 365. This energy-efficient pump can be regulated and controlled via the integrated DMX RDM port. This enables easy creation of individual and dynamic water effects.

The Varionaut 270 / DMX / 02 is equipped with a 10 m power cable with plug and two inbuilt DMX-RDM ports including capillary barrier. The pump is individually addressable and controllable. Other users (such as LED lights) which are connected to the second DMX-RDM port can be looped. The IP 68 waterproof, patented connection

system eliminates the need of manual wiring. The installation is safer, easier and faster.

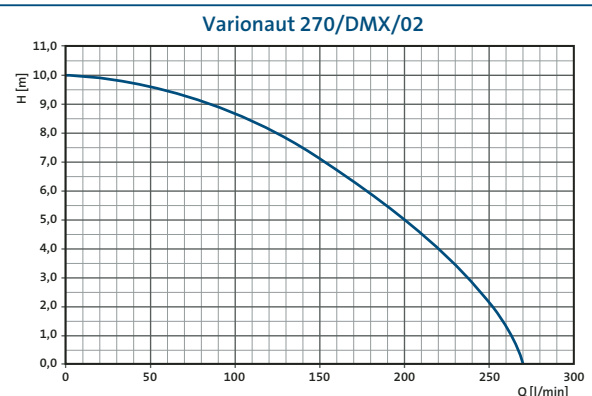
Product characteristics at a glance

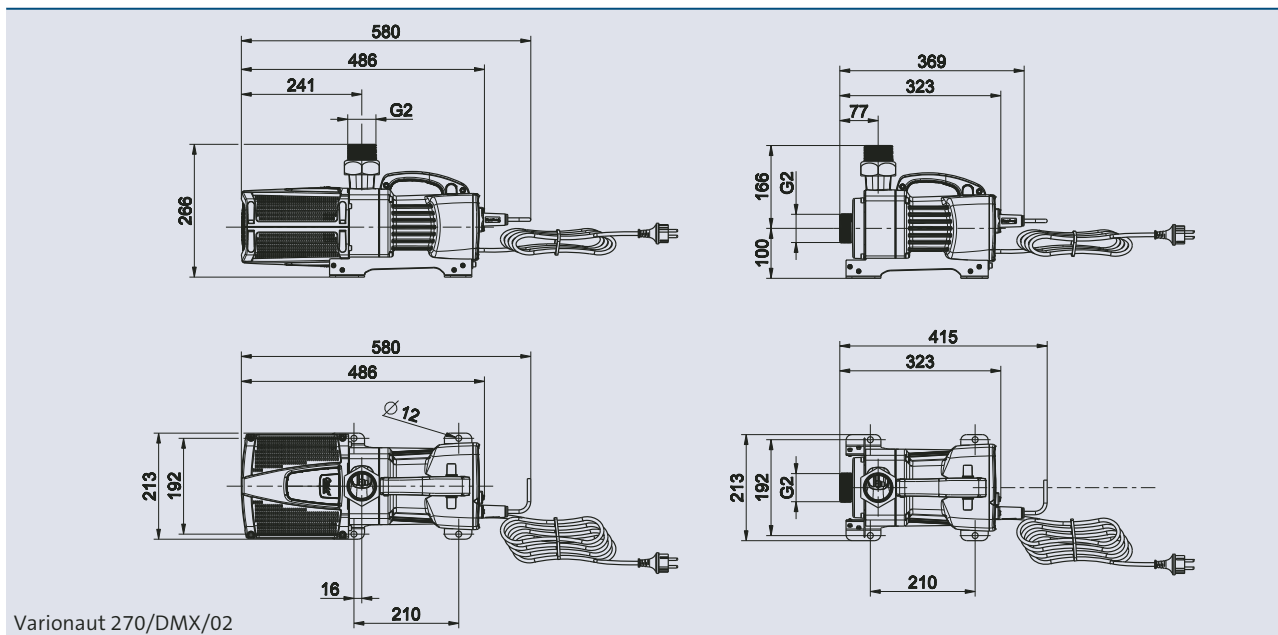
- High dynamic fountain pump
- Individual controllable closed loop speed control via DMX with continuous flow rate
- 230 V AC pump for indoor and outdoor
- Suitable for wet or dry installation
- Power consumption max. 380 W
- Without initial current
- 10 m power cable with plug
- 2 DMX RDM ports (1 x input/ 1 x output) directly at the pump
- Frost protected up to -20 ° C
- IP 68 rated
- DMX-RDM capable

INNOVATION – MADE BY OASE



Varionaut 270/DMX/02





Varionaut 270/DMX/02

The DMX/RDM controlled Varionaut pump sends back information like temperature, rotation speed, voltage and runtime. The status requests of DMX/RDM allow remote diagnosis and remote maintenance. The Varionaut 270 requires only 380 W and runs with 220-240 V AC voltage at 50 as well as 60 Hz. is A DMX controller, e.g. a WECS II 512 / DMX/02/DMX/02, WECS II 1024 / DMX/02/DMX/02 or WECS II 2048 / DMX/02/DMX/02 server (not included), is required for operating the Varionaut pump.

Accessories (must be ordered separately)

Cluster Eco 15-38 (see page 47)	45480
Connecting cable DMX/01 (see page 162)	Order no.
Connecting cable DMX/1.0 m/01	12368
Connecting cable DMX/3.0 m/01	12369
Connecting cable DMX/5.0 m/01	12371
Connecting cable DMX/10.0 m/01	12372
Connecting cable DMX/20.0 m/01	12373
End Resistant for Bus-System DMX/01	12007
WECS II 512 / DMX/02 (see page 174)	56491
WECS II 1024 / DMX/02 (see page 174)	56492
WECS II 2048 / DMX/02 (see page 180)	56507

		Varionaut 270 DMX/02
Motor Type/ Electronic		230V EC-Motor, DMX controlled (DMX-RDM enabled)
Hmax	[m]	10
Qmax	[l/min]	270
Power max.	[W]	380
Nominal current	[A]	1.9
Dynamic behaviour speed: (time to reach full fountain height from 0 – 100 %) with Komet 10-14	[s]	1
Qmin (offset mode – DMX 0)	[l/min]	10
Max. Powering up / min. Off time	[s]	1 x per minute / 10 s
Nominal voltage	[V/Hz]	220-240, 50/60
Immersion depth max.	[m]	4
Protection class		IP 68
Dimensions incl. filter (LxWxH)	[mm]	487 x 213 x 266
Suction side connection	[inch]	Thread G2 (external thread)
Pressure side connection	[inch]	Thread G2 (external thread)
Weight	[kg]	12.1
Filter housing		Plastic / stainless steel 1.4301 (AISI 304)
DMX connection		2 x (1 x input / 1 x output)
Input power		10 m power cable with plug
Number of DMX-channels		2 channels (control channel, speed channel)
Environmental conditions: submersible application	[°C]	Water temperature: min. 4 to max. 35
Environmental conditions: dry application	[°C]	Ambient temperature: max. 30 with natural convection, max. 40 with forced convection, no direct sun exposure permitted
Order no.		40758