



VarioJet	Fresh Water	Pool Water	Sea Water	220-240 V	400 V	110-120 V	50 Hz	60 Hz	12 V AC	24 V DC	DMX	DMX/RDM	Plug and Spray

*Seawater product version on request

VARIOJET

The VarioJet Nozzle creates a dynamic, variable water pattern. The nozzle is driven by two Varionaut pumps.

The nozzle generates spray patterns from a water bell up to a single stream. These different water patterns are formed by controlling both the Varionaut pumps individually.

Product characteristics at a glance

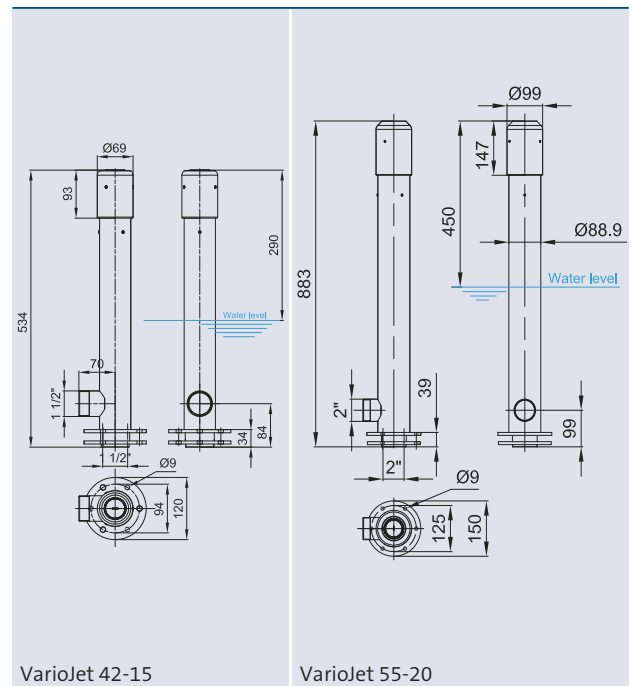
- Dynamic and variable water pattern with two Varionaut pumps
- Compact, robust stainless steel Nozzle
- 2 pressure connections
- Nozzle with adjustable flange
- Sea water VarioJet on request

Sold in the US in cooperation with Technifex



VarioJet 42-15

VarioJet 55-20

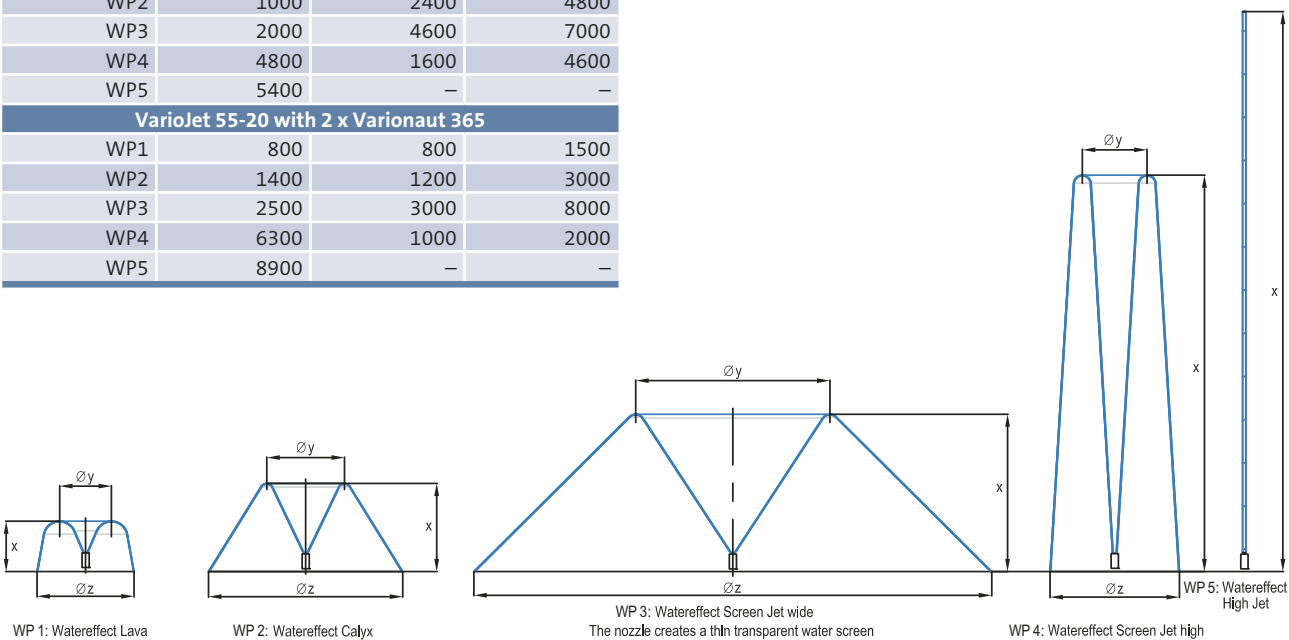


VarioJet 42-15

VarioJet 55-20



	Fountain height (x)	Calyx diameter [mm] (y)	Fountain diameter (z)
VarioJet 42-15 with 2 x Varionaut 150			
WP1	160	600	900
WP2	1000	1000	2400
WP3	1200	2000	4000
WP4	2000	500	1200
WP5	2900	–	–
VarioJet 42-15 with 2 x Varionaut 270			
WP1	400	1200	2200
WP2	1000	2400	4800
WP3	2000	4600	7000
WP4	4800	1600	4600
WP5	5400	–	–
VarioJet 55-20 with 2 x Varionaut 365			
WP1	800	800	1500
WP2	1400	1200	3000
WP3	2500	3000	8000
WP4	6300	1000	2000
WP5	8900	–	–



VarioJet		42-15	55-20
Dimensions (Ø x H)	[mm]	69 x 534	150 x 883
Max. Fountain height (2x Varionaut 150)	[m]	2.90	–
Max. Fountain height (2x Varionaut 270)	[m]	5.40	–
Max. Fountain height (2x Varionaut 365)	[m]	–	8.90
Material		Stainless steel 1.4301 (AISI 304)	
Weight	[kg]	5.10	13.20
Order no.		58906	58906