



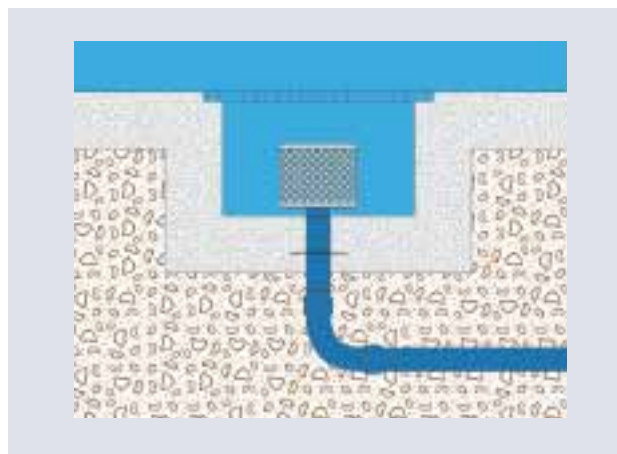
Fresh Water	Pool Water	Sea Water
		

SUCTION FILTER BASKETS 200/15 E TO 600/530/250 E

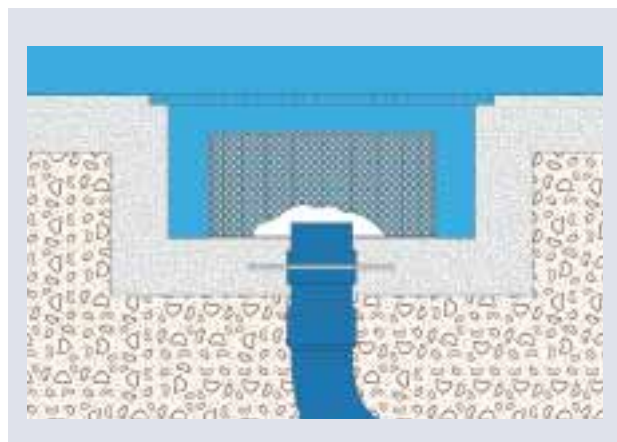
Suction filter baskets are mounted on the inlets of the suction lines to protect the pump/nozzle water circuit from coarse debris.

Product characteristics at a glance

- Protects pump and nozzle from coarse debris
- Large filter surface
- Easy installation
- Solid and robust construction
- Corrosion resistant

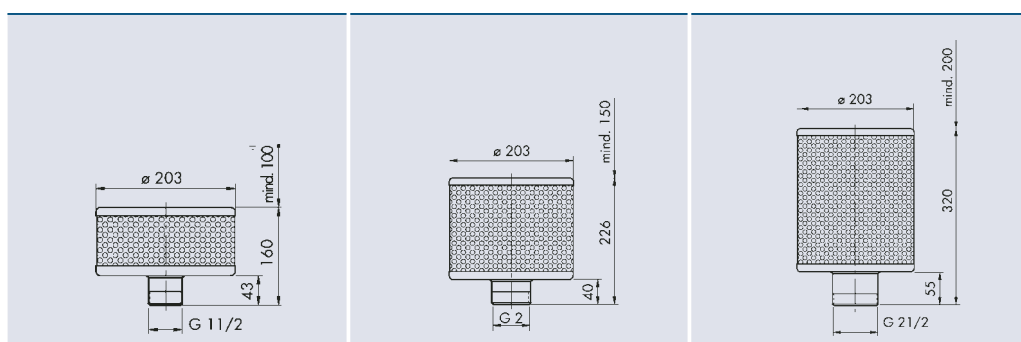
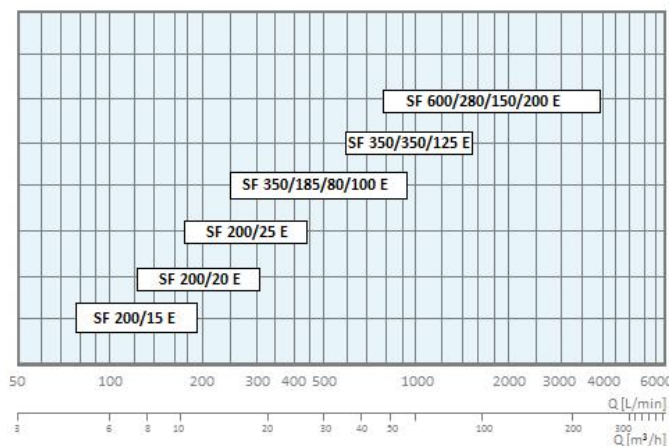


Suction filter baskets

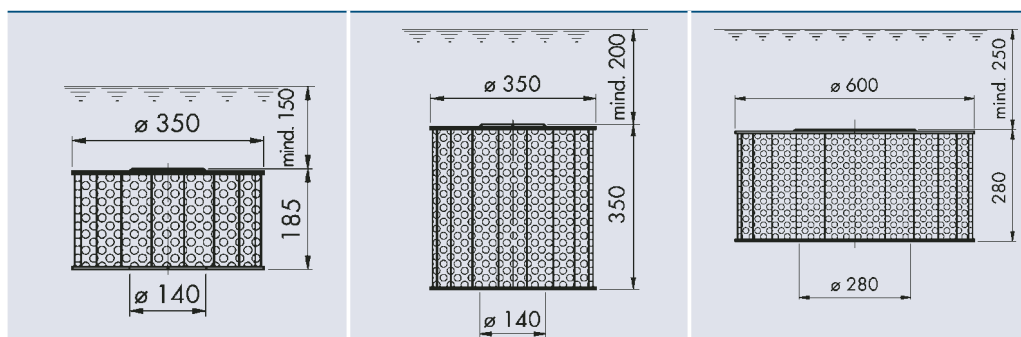


The baskets are available in different sizes and have extra large filter surfaces that ensure a sufficiently long cleaning interval. In this regard the perforated filter plates for the medium-sized and large filter baskets have been folded multiple times in a star pattern. The stainless steel perforated plate has 4 mm holes.

The small suction filter baskets are screwed directly onto the pool floor channels. The medium and large baskets are simply placed over the suction line pipe that projects approximately 50 mm above the pool floor and permanently anchored.



	Suction filter basket 200/100/15 E	Suction filter basket 200/166/20 E	Suction filter basket 200/250/25 E
Dimensions [ØxH mm]	203 x 160	203 x 226	203 x 320
DN [inch/mm]	1 ½"	2"	2 ½"
Filter surface [m²]	0.08	0.12	0.18
Particle strainer Ø [mm]	4.0	4.0	4.0
Material	Stainless steel	Stainless steel	Stainless steel
Weight [kg]	1.1	1.5	1.8
Order no.	51082	51083	51084



	Suction filter basket 350/185/80/100 E	Suction filter basket 350/350/125 E	Suction filter basket 600/280/150/200 E
Dimensions [ØxH mm]	350 x 185	350 x 350	600 x 280
DN [inch/mm]	80/100	125	150/200
Filter surface [m²]	0.44	0.88	1.5
Particle strainer Ø [mm]	4.0	4.0	4.0
Material	Stainless steel	Stainless steel	Stainless steel
Weight [kg]	9.5	11.5	43.1
Order no.	51753	54755	51756