



Fresh Water	Pool Water	Sea Water
		

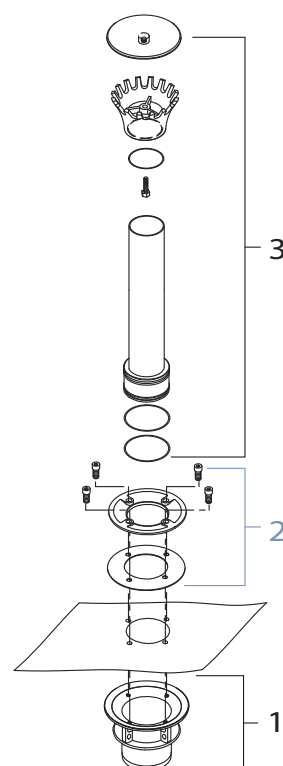
## OVERFLOW/DRAIN ARMATURES

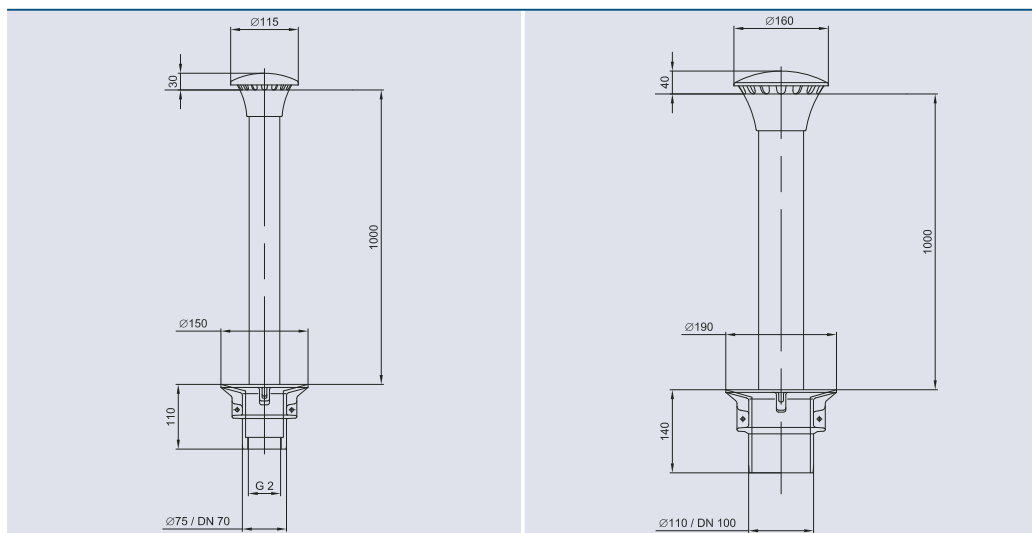
The optimal combination of overflow and drain: An overflow pipe inserted in the drain discharges excess water from filled pools. It is simply pulled out to empty the pool.

The overflow pipe with overflow crown has a standard length of 1000 mm, however it can be shortened to adapt to a lower water level. A debris/winter sieve can also be ordered for protection against coarse debris (see page 219).

### Product characteristics at a glance

- Optimal combination of overflow and drain
- Easy installation
- For water levels from 0 to 1000 mm
- Stainless steel standpipe
- Cast parts are made of corrosion-resistant tombac alloy





<h1>3</h1>		
	<b>Overflow/drain armature 70 / 1000 T</b>	<b>Overflow/drain armature 100 / 1000 T</b>
Dimensions (ø x H) [mm]	115 x 1054	160 x 1108
Designation	overflow / drain armature	overflow / drain armature
DN	70	100
Material	Tombac / stainless steel	Tombac / stainless steel
Weight [kg]	3.2	7.2
<b>Order no.</b>	<b>57469</b>	<b>57463</b>

<h1>2</h1> (optional)		
	<b>Liner clamping flange 70 T</b>	<b>Liner clamping flange 100 T</b>
Dimensions (ø x H) [mm]	148 x 26	188 x 35
Designation	liner clamping flange	liner clamping flange
DN	70	100
Material	Tombac	Tombac
Weight [kg]	0.9	1.1
<b>Order no.</b>	<b>51108</b>	<b>51117</b>

<h1>1</h1>		
	<b>Concrete part 70 T</b>	<b>Concrete part 100 T</b>
Dimensions (ø x H) [mm]	70 x 110	100 x 141
Designation	concrete part	concrete part
DN [mm] / [inch]	70 / 2"	100
Material	Tombac	Tombac
Weight [kg]	2.1	3.2
<b>Order no.</b>	<b>57471</b>	<b>57467</b>