



	Fresh Water	Pool Water	Sea Water
Nozzle-Chamber Single			
Nozzle-Chamber Vario			

## NOZZLE-CHAMBER SINGLE / VARIO

Compact water installations – even without a large pool can be quickly and easily implemented your design ideas in free spaces. The underground niches Nozzle-Chamber Single and Nozzle-Chamber Vario, offer ideal conditions for the uncomplicated installation of attractive water-light combinations without an open water surface.

The Nozzle-Chamber Single is ideal for underground installation of the ProfiPlane LED 320/DMX/02 or our Comet and Schaumsprudler fountain jets. With the Nozzle-Chamber Vario you can also easily install the Vario-Switch 010a

underground with the ProfiPlane LED 320/DMX/02 or the Comet and Schaumsprudler fountain jets.

### Product characteristics at a glance

- Ideal for installation in open areas and multi-functional areas
- Easy installation
- With 3 DA 110 / DN 100 connections and 2 sealing caps
- G 1" pressure connection including 90° angle
- High-quality, robust stainless steel construction

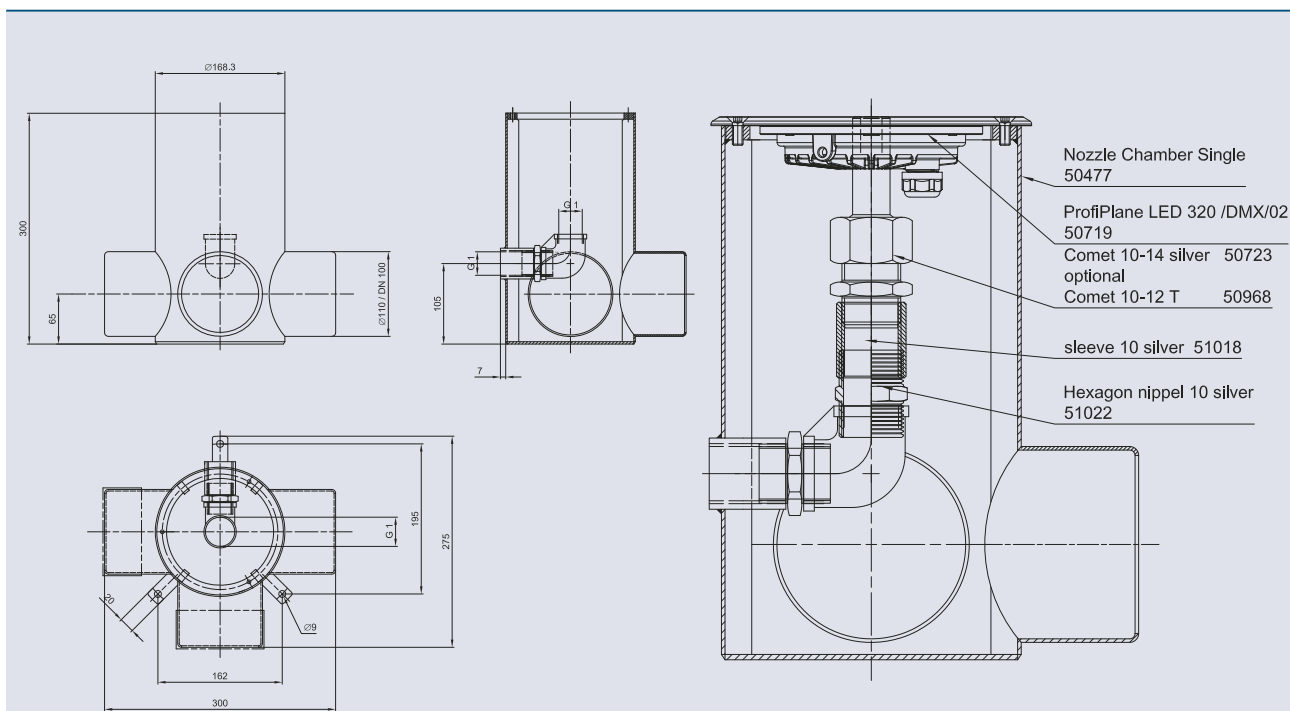
For details of Vario Switch 010a, see page 16.



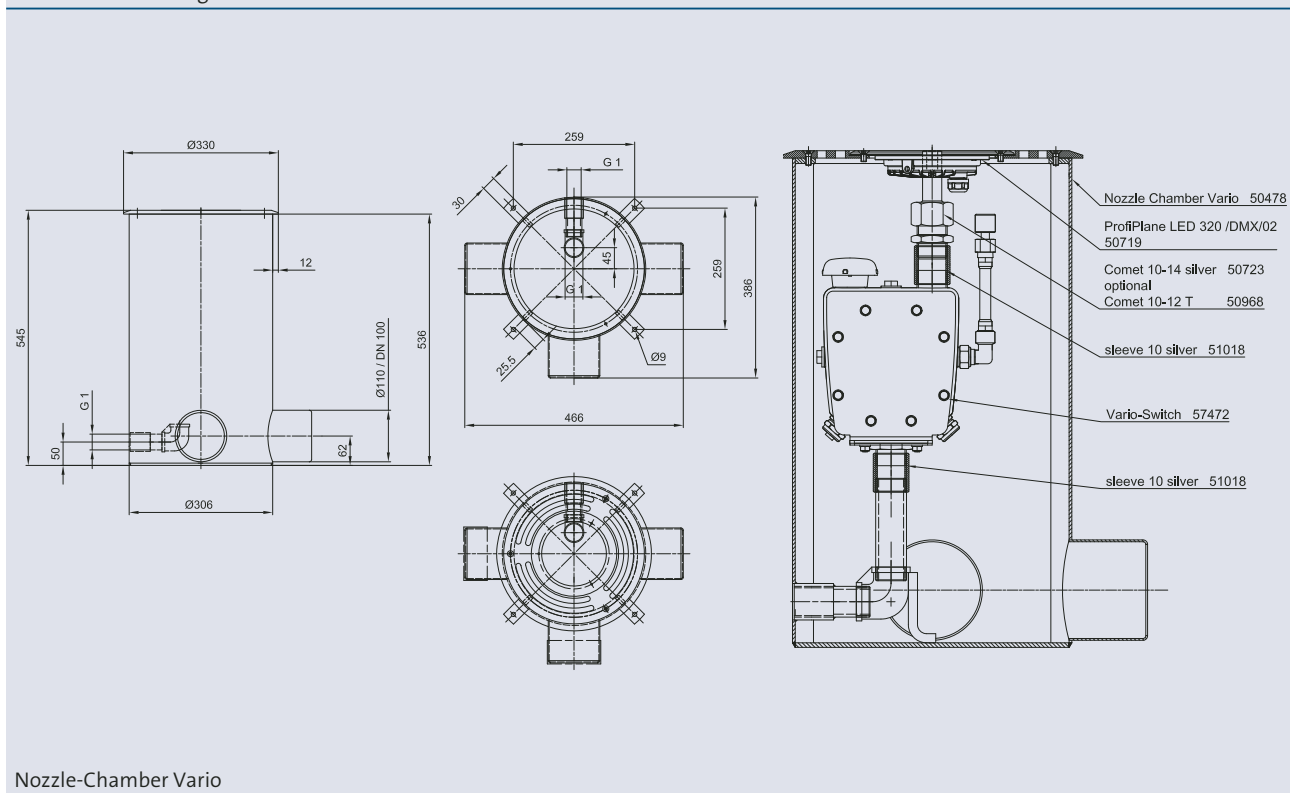
Nozzle-Chamber Single



Nozzle-Chamber Vario



Nozzle-Chamber Single



Nozzle-Chamber Vario

	Nozzle-Chamber Single	Nozzle-Chamber Vario
Dimensions (L x W x H) [mm]	300 x 275 x 300	466 x 386 x 536
Pressure connection [inch]	1	1
Connection drain	3 x Ø 110 /DN 100	3 x Ø 110 /DN 100
Material	Stainless steel 1.4301 (AISI 304)	Stainless steel 1.4301 / 1.4571 / Brass (AISI 304 /316Ti)
Weight [kg]	5.5	23.0
Order no.	50477	50478