

Lava	Fresh Water	Pool Water	Sea Water	220-240 V	400 V	110-120 V	50 Hz	60 Hz	12 V AC	24 V DC	DMX	DMX/RDM	Plug and Spray

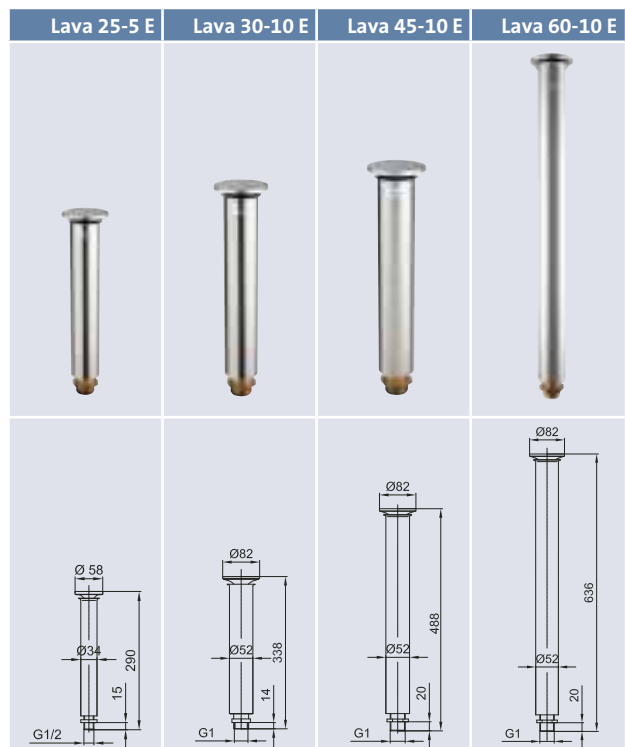
## LAVA 25-5 E TO 60-10 E

Water bells are the fountain effect producing the least noise. The relaxing sound of splashing water is particularly effective in water gardens, reception halls, or outdoor pools that are protected from wind.

The Lava bell forms a closed water veil that can be attractively staged with underwater illumination.

### Product characteristics at a glance

- Transparent water pattern
- Adjustable bell diameter
- Water-level independent
- Low-noise operation
- Modern stainless steel look



Accessories (must be ordered separately)		Order no.			Lava 25-5 E	Lava 30-10 E	Lava 45-10 E	Lava 60-10 E	
Sleeve 10 silver (see page 244)		<b>51018</b>	Dimensions (Ø x H mm)		58 x 290	80 x 338	80 x 488	80 x 636	
Sleeve 15 silver (see page 244)		<b>51019</b>	Fountain diameter		DWB	DDB	DWB	DDB	
Reducing sleeve 15 x 10 (see page 245)		<b>51032</b>			l/min	bar	l/min	bar	
Reducing sleeve 20 x 15 (see page 245)		<b>51030</b>	200	[mm]	17	0.09			
Adapter G 10 / NPT 10 (see page 244)		<b>51026</b>	300	[mm]	21	0.11	35	0.11	
			400	[mm]	25	0.14	43	0.13	
			500	[mm]	29	0.17	51	0.16	
			600	[mm]	33	0.21	59	0.20	
			700	[mm]			67	0.25	
			900	[mm]			75	0.32	
			1100	[mm]				83	
			1300	[mm]				0.40	
Material			Stainless steel 1.4301 (AISI 304)						
Weight			[kg]	0.6		1.3		1.6	
Order no.					<b>50884</b>	<b>50889</b>	<b>50890</b>	<b>50891</b>	