



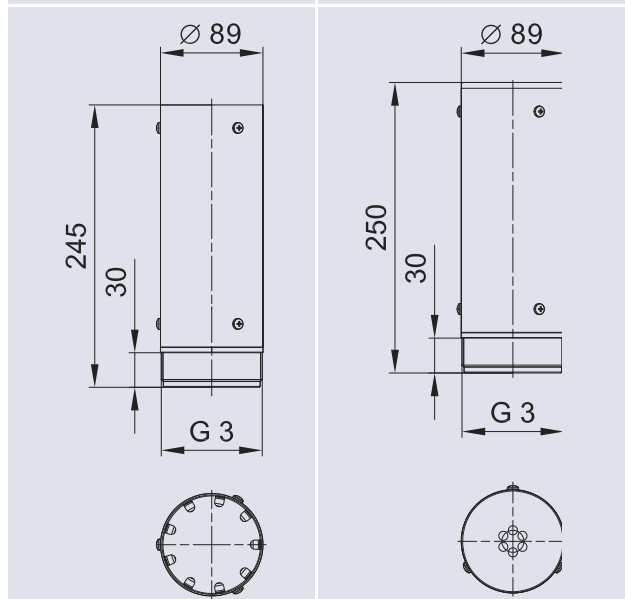
Geyser Jet 30

High Jet 30



Geyser Jet 30

High Jet 30



Geyser Jet 30

High Jet 30

	Fresh Water	Pool Water	Sea Water	220-240 V	400 V	110-120 V	50 Hz	60 Hz	12 V AC	24 V DC	DMX	DMX/RDM	Plug and Spray
High Jet 30	✓	✓	✓	✓	✓	✓	✓	✓	✓	✓	✓	✓	✓
Geyser Jet 30	✓	✓	✓	✓	✓	✓	✓	✓	✓	✓	✓	✓	✓

HIGH JET / GEYSER JET

These nozzles generate one water jet that is stable in wind.

The High Jet and Geyser Jet are water-level independent with a lightweight design and usually used on the floating fountains.

Product characteristics at a glance

- Water pattern as one water jet
- Water-level independent
- Modern stainless steel look

		Geyser Jet 30		High Jet 30	
Dimensions (ø x H mm)		89 x 245		89 x 250	
Fountain height		DWB	DDB	DWB	DDB
		l/min	bar	l/min	bar
5.0	[m]	347	0.81		
6.0	[m]	381	0.98		
7.0	[m]	411	1.14		
8.0	[m]	440	1.31	226	1.15
9.0	[m]	466	1.48	240	1.29
10.0	[m]	492	1.65	253	1.44
11.0	[m]	515	1.82	266	1.59
12.0	[m]	539	1.99	278	1.74
13.0	[m]			289	1.89
14.0	[m]			299	2.04
15.0	[m]			310	2.19
16.0	[m]			320	2.35
Material – casing tube		Stainless steel		Stainless steel	
Material – nozzle insert		POM		POM	
Weight [kg]		1.4		1.4	
Order no.		50377		50375	