



	Fresh Water	Pool Water	Sea Water	220-240 V	400 V	110-120 V	50 Hz	60 Hz	12 V AC	24 V DC	DMX	DMX/RDM	Plug and Spray
Air Nozzle	✓	✓	✓*	✓	✓	✓	✓	✓	✓	✓	✓	✓	✓

*Seawater product version on request

AIR NOZZLE 20E/24 E HORIZONTAL/01

AIR NOZZLE 15E/20E VERTICAL/01

The compressed air driven AirNozzle is controlled by DMX with the DMX-Underwater Switch 24 V DC/DMX/02.

The use of compressed air leads to an optimized use of energy. With the DMX-capable Underwater Switch 24 V DC / DMX/02 system costs can be further reduced to 50 %. The different designs provide solutions for shallow water applications. There are four standard AirNozzles:

- Air Nozzle 15 E vertical/01 (58904)
- Air Nozzle 20 E vertical/01 (58904)
- Air Nozzle 20 E horizontal/01 (58904)
- Air Nozzle 24 E horizontal/01 (58904)

Product characteristics at a glance

- Compact, robust stainless steel Air Nozzle
- IP 68 in 24 voltage technology; for underwater use

- Pluggable, easy to install and to connect through underwater OASE technology
- Short refill time – up to 15 shots per minute
- For fountain heights up to 20 m (higher fountain heights on request)
- Sea water AirNozzle on request

System integration Generally Air Nozzles are connected to a compressed air piping system where the pipe itself acts as the air reservoir. The pipe is almost continuously replenished by a compressor. Therefore no additional air reservoir is required to be connected to the Air-Nozzle. The volume of the pipe and the standard pressure should be chosen in such way that after a shot with all nozzles the residual pressure doesn't fall below 90% of the default value. In more complex supply systems the target pressure can be varied in order to achieve different jet heights.



Air Nozzle 20E/24 E horizontal/01

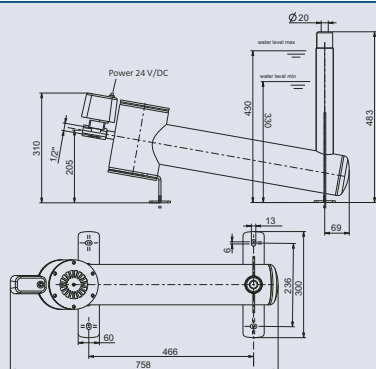
*only China



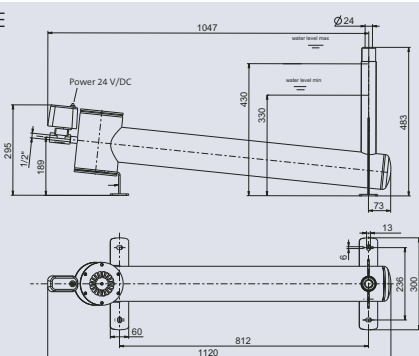
Air Nozzle 15E/20E vertical/01

*only China

Air Nozzle 20E horizontal/01

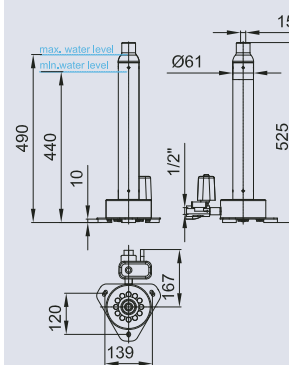


Air Nozzle 24 E horizontal/01

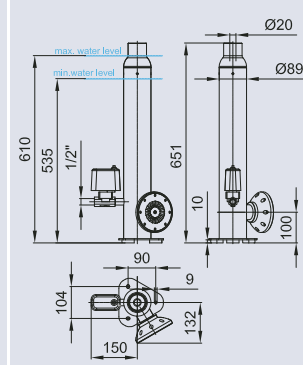


Water Level & Refill behavior For a long-term stable operation, it is important to keep the water level constant. This is because the fill level and the replenishment time depends on the water level. In this sense the best surrounding for such water features are waterbodies in which the water level is determined by a dam or an overflow.

Air Nozzle 15 E vertical/01



Air Nozzle 20 E vertical/01



Air pressure [bar]	Height [m]	Shooting time every [s]	Air demand per shot [l]
Air Nozzle 20 E horizontal/01			
0.50	1.50	2.00	1.50
1.00	4.50	3.00	2.50
1.50	8.50	4.20	4.50
2.00	12.00	5.10	5.50
2.50	15.00	6.30	10.50
Air Nozzle 24 E horizontal/01			
1.00	4.60	3.90	3.00
2.00	11.00	6.10	9.00
3.00	15.00	7.60	11.50
4.00	18.00	9.30	20.00
4.50	20.00	9.30	21.50
Air Nozzle 15 E vertical/01			
0.50	2.00	2.00	0.50
0.75	4.00	3.00	1.50
0.90	5.00	4.00	2.00
1.00	6.00	4.00	2.50
Air Nozzle 20 E vertical/01			
0.75	3.00	4.00	2.00
1.00	4.00	4.00	2.00
1.50	10.00	4.00	3.50
2.00	14.00	4.00	7.50

Accessories (must be ordered separately)

Underwater Switch 24V / DMX / 02 (see page 168)	56411
Underwater power supply 250 / 24 V / 01 (see page 170)	50733
Connecting cable DMX/01 (see page 162)	
Connecting cable DMX/1.0 m/01	12368
Connecting cable DMX/3.0 m/01	12369
Connecting cable DMX/5.0 m/01	12371
Connecting cable DMX/10.0 m/01	12372
Connecting cable DMX/20.0 m/01	12373
End Resistant for Bus-System DMX/01	12007
DMX-Box/01	57646
Connecting cable 24V DC/01 (see page 160)	
Connecting cable 24V DC /1.0 m/01	12762
Connecting cable 24V DC /3.0 m/01	12552
Connecting cable 24V DC /7.5 m/01	12553
Connecting cable 24V DC /15.0 m/01	11720
PowerBox 24 V DC / 01 (see page 160)	50493
WECS II 512 / DMX/02 (see page 174)	56491
WECS II 1024 / DMX/02 (see page 174)	56492
WECS II 2048 / DMX/02 (see page 180)	56507

Air Nozzle horizontal/01	horizontal 20 E	horizontal 24 E	vertical 15 E	vertical 20 E
Dimensions (L x W x H) [mm]	758 x 300 x 483	1120 x 300 x 483	264 x 139 x 525	203 x 116 x 651
Shooting frequency/water refill time [seconds]	4-10	4-10	2-4	4
Amount of water per shot [l]	7	10	0.75	2.50
Nozzle diameter [mm]	20	24	15	20
Min./Max. water level [mm]	330-430	330-430	440-490	525-610
Max. air pressure [bar]	3	5	1	2
Air inlet dia. [inch]		1/2		
Water jet height up to [m]	15	20	6	14
Voltage(solenoid valve) [V/DC]		24		
Nominal current(solenoid valve) [A]	0.46	0.46	0.46	0.46
Material	Stainless steel 1.4571 (AISI 316 Ti)			
Power cable [m]	7.50			
Weight [kg]	14.50	17.00	5.6	8.1
Order no.	58904	58904	58904	58904