



# FOUNTAIN TECHNOLOGY & LAKE MANAGEMENT

CATALOGUE FOR PARTNERS AND DISTRIBUTORS



»PASSION  
FOR INNOVATION«

Smart City Lagoon  
Location: Ricasoli / Malta





As a leader in innovation, OASE provides surprises every year with breath-taking works of art consisting of water and light – master accomplishments of technology and design, Made in Germany, that are unrivalled anywhere in the world. Products and services are developed and executed at the highest level – wholly in keeping with the standards of quality and execution that have characterised us for more than 60 years.

*Welcome to the world of OASE.*

# CONTENTS

Multimedia Fountain Park  
Location: Warsaw/Poland

## 6 Impressions

### NOZZLES

#### 16 Controllable Nozzles

- 18 Jumping Jet Rainbow Star
- 20 Jumping Jet Rainbow Flash
- 22 Vario Switch
- 24 Multi Directional Drive
- 28 Swivel
- 30 Air Nozzle
- New!** 32 FlashWall
- 34 VarioJet
- New!** 36 Fountain Flame
- New!** 38 Fog/Mist System

#### 40 Classic Nozzles

- New!** 42 Comet-Silver
- 44 Comet T
- 46 Comet Prec
- New!** 47 Cluster Eco
- 48 Hollow Jet nozzles
- 50 High Jet / Geyser Jet
- 51 Lava
- 52 Water sphere / hemisphere
- 54 Gushing nozzle
- 55 Fan Jet
- 56 Water Screen Nozzle
- 58 Grand Vulkan / Trumpet Jet
- 59 Vulcan
- 60 Finger Nozzle
- 61 Crown Nozzle
- 62 Rotating Nozzle
- 64 Schaumsprudler
- 68 Cascade
- 72 Geyser
- 76 Mylar Lace

### FLOATING FOUNTAINS

#### 78 Floating fountains

- New!** 80 PondJet/PondJet Eco
- 82 MIDI II/MAXI II
- New!** 84 Fountain attachments
- 86 Illumination sets

### PUMPS

#### 92 Controllable Pumps

- 92 Varionaut 90 24V
- 94 Varionaut 150 24V
- 96 Varionaut 150 230V
- New!** 98 Varionaut 270 230V
- 100 Varionaut 365 230V

#### 102 Classic Pumps

- 102 Water feature pumps
- 104 Universal pumps
- New!** 110 Block centrifugal pumps
- 112 Submersible motor-driven pumps

### ILLUMINATION

#### 118 LED Technology

- 118 RGB-LED light**
- 118 ProfiLux LED 110
- 120 ProfiLux LED 320
- 122 ProfiLux LED Spot 1500
- 124 ProfiLux LED Flood 1500
- 126 ProfiPlane LED 110
- 128 ProfiPlane LED 320
- 130 ProfiRing LED 320
- 132 Neutral white light**
- 132 ProfiLux LED 350
- 134 ProfiLux LED 1100/01
- 136 ProfiLux LED Spot 2200/01
- 138 ProfiLux LED Flood 2200/01





Musical Fountain, KLCC Park  
Location: Kuala Lumpur/Malaysia

## ILLUMINATION

- 140 ProfiLux 370 LED 01
- 140 LunAqua 10 LED 01
- New!** 142 LED-Stripe

### 144 Halogen spotlights

- 144 ProfiLux E 101 Halogen
- 144 LunAqua 10 Halogen
- 146 LunAqua 5.1
- 146 UWS TN 508
- 148 UWS TS 111
- 149 Freestand Light
- 150 Lamp Holder
- 151 LED-Module II

## POWER – MEASURE – CONTROL – REGULATE

### 152 Power

- 154 Cable transition armatures
- 156 Underwater cable connectors
- 158 Power splice
- 160 Connection cable
- 162 Connection cable DMX
- 162 DMX-Box/01
- 164 Extension cable hybrid
- 164 Hybrid Connection box
- 166 Underwater LED Driver
- 168 Underwater Switch
- New!** 170 Underwater Power Supply
- 172 Electrical Switchgear
- 174 WECS II 512 / 1024
- New!** 176 WECS II 512 / 1024 Webserver-Extension
- 180 WECS II 2048
- 184 Water level regulators
- 184 Solenoid valves
- 186 Water level sensors
- 188 Wind level fountain controller
- 190 Underwater transformer
- New!** 191 Accessories

## WATER QUALITY

### 192 Water Quality

- 194 Configuration chart
- 196 Aerators
- 200 Clarifiers
- New!** 204 Flow through filters
- 206 Modular filters
- 216 Crystal quartz sand filter
- 220 »Clear Fountain System«
- 221 Water treatment
- 222 »Clear Lake System«
- 224 Surface skimmers
- 226 Water quality

## ACCESSORIES

### 228 Accessories

- New!** 230 Underground niches
- 232 Floor drain armatures
- 234 Overflow / Drain armatures
- 236 Return armatures
- 238 Inflow nozzles
- 238 Floor-/wall transitions
- 240 Overflow-/return armatures
- 242 Suction filter baskets
- 244 Fittings

## MISCELLANEOUS

- 246 Explanatory notes
- 247 Order-related products
- 247 List of abbreviations
- 248 Conversion tables
- 249 Alphabetical Product Overview
- 251 Product Overview by order no.
- 254 OASE-Commercial Quickfinder

# INTRODUCTION



**Egon Lütke-meier**  
*Director Commercial Business HQ*

## DEAR OASE PARTNER,

A boundless passion for water and light implemented in the perfect blend of design & technology from the leader in innovation. Creativity is the main component of a water installation concept, the right feel for spatial dimensions, and harmony of the elements, water, fire, earth and air. On the other hand, the detailed planning involves technology and precision, exact calculations and precisely matched components. Thus: »He who masters the technology, attains the freedom to create.«

The innovative, energy-efficient products from OASE make it particularly easy for you to realize your design ideas. Our international OASE team would be pleased to support you in all questions concerning concept, technical planning, professional installation and service.

**Contact us, we look forward to meeting you!**



# MADE IN GERMANY



## CREATED FOR LIMITLESS ENJOYMENT OF WORKS OF ART.

The **products** that we develop and produce inspire our customers around the world through their high performance, **reliability** and **long service life**. In our production we combine modern, automatic manufacturing technology with **qualified know-how**. Whether pumps, filters, light, control systems, software applications or accessories precisely matched to the products – production at our headquarters carries the seal of quality »**Made in Germany**«.

With their knowledge, our **specialists** cover all areas of water technology: From **mechanical engineering** and **materials engineering** to **electrical engineering** and **software development**.

This incredible **versatility** is the basis of our broad system assortment and the **high quality** of the OASE products. OASE always offers you the latest state-of-the-art technology and **innovations** that will be a source of pleasure to you for many years.

# PRODUCT INNOVATIONS

WE ARE PROUD TO PRESENT



## FOUNTAIN FLAME – FOR SPECTACULAR FIRE EFFECTS

»Come on, baby, light my fire, Try to set  
the night on fire.« *The Doors*

The theory of the four elements played a significant role in ancient Greek philosophy: Everything that exists is made up of the four basic elements, earth, air, fire and water. In the spectacular Fountain Flame **OASE now unites two** of these elements, which at first glance do not seem to go together: **Fire and water** in a unique combination. A gas flame that dances on a variable water jet against the backdrop of a clear night sky, generates spectacular **dynamic special effects**.

**Fire and water spectacularly combined.**

More information on page 36.





## VARIONAUT 270 DMX/02 – FROM ZERO TO ONE HUNDRED IN ONE SECOND\*

»To get the greatest possible performance, speed and endurance from a given amount of energy is the great technical task of these years.« *Niki Lauda*

As the **market leader** for individually controllable fountain pumps, OASE has ensured effect-rich, dynamic water patterns with the Varionaut range for **more than 10 years**. Combined with the DMX-RDM controller, the **patented, controllable pumps** generate impressive, changing visual effects that are unrivalled. With spectacular speed, in one second the new powerhouse with continuous operation characteristics, the **Varionaut 270/DMX/02**, shoots its water charge on high and impresses viewers through lightning-fast change – and thus offers a **maximum of dynamics** in every fountain installation.

**The new original. As always. Simply better.**

More information on page 98

\*Based on percent

# PRODUCT INNOVATIONS

WE ARE PROUD TO PRESENT



## UNDERWATER POWER SUPPLY 250 24V/01 – WORLD DEBUT – SAVES TIME, MATERIAL, AND INSTALLATION EFFORT

»Plug’N’Spray is the successful principle of the completely sealed underwater power supply unit 250 24V/01 – patented and UL-certified.«

**What is new, worldwide,** is the fact that now low-voltage consumers can likewise be operated underwater via the power supply unit – an incredible savings in time, and in material and system costs at every construction site. The underwater power supply unit with **patented**, watertight plug connections, not only reduces installation effort, it also reduces the space requirements in the control cabinet, as well as cabling and maintenance costs. Thanks to the plug connection, connected devices can be quickly and easily replaced. The power supply unit's high efficiency of over 92% is an indication of OASE's environmental awareness, as a Green Company.

**Economical, fast, safe cabling**

More information on page 170.





## WECS II 512/1024 WEBSERVER EXTENSION – AT HOME IN THE INTERNET OF THINGS

»The future – already today.«

The **Internet of Things** will significantly change the world in the future and it is also one of the greatest technical challenges of our time. With the WECS II 512/1024 Webserver Extension, **OASE is again the forerunner** in this megatrend of our industry. In conjunction with the DMX/RDM controller, this software offers round-the-clock controllability, and at the same time simplified remote control via the Internet.

**Smart Fountain: control »intelligently« – by anyone and from any location in the world.**

More information on page 176.

# DISCOVER THE WORLD

## OF OASE FOUNTAIN TECHNOLOGY



### GERMAN ENGINEERING AND INTERNATIONAL DESIGN KNOW-HOW

As an internationally active enterprise, OASE ensures enthusiasm with breath-taking masterpieces of water and light in more than 95 countries every day. We would like to relay this passion to you with our innovative new products and ingenious ideas. Our first-class products Made in Germany: High-quality workmanship and clever system technology are the basis for the fascinating choreography of water, light and fire effects that our design office in Singapore creates and visualises. Perfect teamwork that ensures enthusiasm worldwide.

### PROJECT-ACCOMPANYING ENGINEERING AND RELIABLE AFTER-SALES SERVICE

Each project demands utmost concentration, commitment, reliability and most of all, punctuality. The larger the installation, the more complex the collaboration in the entire network of the participating partners. Consequently, it is particularly important for us to support each of our partners to the best of our ability during the construction phase. With competent and professional consulting, detailed planning and understandable drawings, we are available at any time. Also after completion of the project, we are there for our partners. Fast and uncomplicated help is required particularly for maintenance tasks or technical support.

You can count on it; for us partnership is more than simply a word!



# OASE LAKE MANAGEMENT

A large fountain in a golf course pond with a golfer in the background. The fountain has multiple jets spraying water in a wide arc. The pond is surrounded by green grass and trees. In the background, a golfer is visible on a green, and a flag is on a pole to the right.

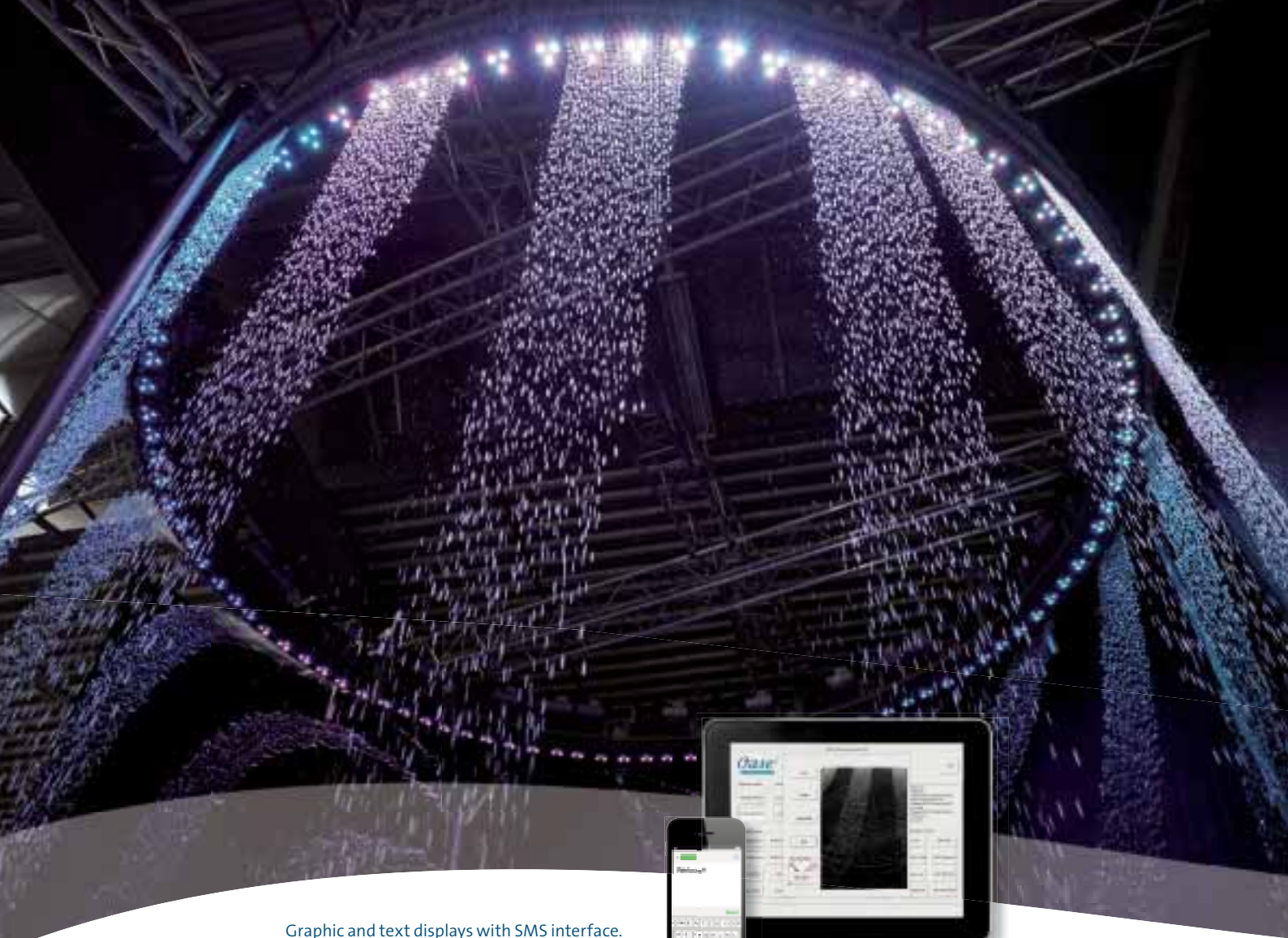
## OASE AWARENESS OF THE ENVIRONMENT AND SAFETY

As the leading supplier in all things dealing with water, the environment is of special concern for us. Consequently, we also contribute extensively to the conservation of resources; we do not take clean water and a permanent energy supply for granted. As a “green company”, for years we have focused on energy-saving products that achieve the highest possible performance with the lowest possible energy consumption. This energy efficiency is of particular benefit for products that are designed for continuous operation, such as our Varionaut pumps.

But we do not just place value on environmental compatibility at the end of our production chain, but rather it is our priority during the entire production process. Therefore, we are constantly working on integrating more efficiency and environmental consciousness, thus contributing to nature conservation.

## EFFECTIVE MANUFACTURING PROCESSES

In a project many processes run together toward a major goal, like in a network. Consequently, for us it is indispensable that we work together with our partners in trust and reliability. And because first-class workmanship and punctual delivery are part of reliability, we work on trustful partnership right from the beginning of manufacturing. With our effective processes, we guarantee a smooth production procedure, in which particular value is placed on the workmanship of high-quality and durable materials, and continuous quality control. Moreover, our experts are working continuously on optimisation of the manufacturing steps in order to assure even better performance for you.



Graphic and text displays with SMS interface.  
For more information see page 32.



## QUALITY ON THE HIGHEST LEVEL

Our team of engineers and technicians set high standards to assure the outstanding quality of our products. At OASE modern quality management starts with the conception of new products: Failure Mode Effects Analysis (FMEA), MTTF calculations and an extensive test programme assure the high standard of our new developments. Shop floor management and statistical process improvement (SPI) are the basis for the continuous improvement process CPI of our manufacturing.

Collaboration with our suppliers is long-term and based on trust – an important prerequisite for the high flexibility of our project management.

## OASE PROJECT COORDINATION

OASE Project Coordination combines all services associated with your project – OASE Project Coordination views itself as a network manager that brings the different partners together. Thus, our designers create and visualise fascinating works of art from water, light, and fire in close collaboration with architects and planners; these works of art are then implemented by our competent project coordinators.

From the idea to completion of your project, OASE remains your partner with our unique all-round competence.

We place the greatest value on compliance with scheduled dates and budget – for implementation of your project that is successful for all parties.





## OASE SERVICE

Use our Service Hotline or our Live Chat via Skype that are available to you for consultation and service around the clock from Monday to Friday:

**Telephone: +49 (0) 5454 / 33 8 33 99 (worldwide)**

**Skype: Oase Service Fountain Technology**

If you have more extensive questions or if you require consultation, our worldwide sales team is there for you at any time. Simply contact us:

Contact OASE

[www.oase-livingwater.com/oasecontact](http://www.oase-livingwater.com/oasecontact)

Contact to the OASE competence partners

[www.oase-livingwater.com/oasedealer](http://www.oase-livingwater.com/oasedealer)

## OASE WEBSITE

Water in every form of movement is pure fascination, which ideally a person must see with their own eyes. In the global OASE network of competent partners, reliable service, first-class product systems and individual components, unique works of art are produced that captivate every observer.

Discover now how OASE projects are fascinating people throughout the world by visiting our website!

Get totally new inspiration and ideas for your planning – it's easy at [www.oase-livingwater.com](http://www.oase-livingwater.com)



# CONTROLLABLE NOZZLES

NOZZLES

CONTROLLABLE



**Water has thousand faces. Sometimes it shoots up high, then splashes and bubbles exuberantly, or it is totally still and gentle. And it does all of this with nozzles from OASE.**

Every location has its very special unique atmosphere. A public square, in the heart of the city looks different in Paris than it does in Dubai. An artistically designed park can give a sense of tranquil strength or contemplative well-being. Spray fountains and fountains from OASE enable you to experience and engage with the particularities of a location and to use water to the best advantage of that location.

We distinguish classic nozzles from controllable nozzles. Controllable nozzles are nozzles which can be electronically controlled to provide a range of effects. For example the Multidirectional Drive II 3D is DMX/RDM controlled. The rotation and swivelling could be individual controlled in direction and speed.





## 16 Controllable Nozzles

- 18 Jumping Jet Rainbow Star
- 20 Jumping Jet Rainbow Flash
- 22 Vario Switch
- 24 Multi Directional Drive
- 28 Swivel
- 30 Air Nozzle
- 32 FlashWall
- 34 VarioJet
- 36 Fountain Flame
- 38 Fog/Mist System

### KLCC PARK/PETRONAS TOWERS

#### LOCATION: KUALA LUMPUR/ MALAYSIA

KLCC is the abbreviation of Kuala Lumpur City Centre, and KLCC Park is located in the heart of the city, at the foot of the monumental Petronas Towers. The musical fountain consists of more than 480 individually controlled water effects and more than 1,000 underwater lights.



*Multi Directional Drive II 3 D/DMX/02*



*Jumping Jet Rainbow Flash II/DMX/02*



*AirNozzle horizontal/01*



|                          | Fresh Water | Pool Water | Sea Water | 220-240 V | 400 V | 110-120 V | 50 Hz | 60 Hz | 12 V AC | 24 V DC | DMX | DMX/RDM | Plug and Spray |
|--------------------------|-------------|------------|-----------|-----------|-------|-----------|-------|-------|---------|---------|-----|---------|----------------|
| Jumping Jet Rainbow Star | ✓           | ✓          | ✓         | ✓         | ✓     | ✓         | ✓     | ✓     | ✓       | ✓       | ✓   | ✓       | ✓              |

## JUMPING JET RAINBOW STAR

Water jets magically shoot through the air in broad arcs and disappear, just as unexpectedly as they appeared – Jumping Jet systems are the attraction in leisure parks and amusement parks, in discotheques, at trade shows, exhibitions, and other events.

The combination possibilities give the system an individual flair: The colour of the integrated RGB-light can be freely selected and can be supported in its effect by numerous switchable run-

ning light functions. Alternatively the laminar water jet can also have a cutting effect to produce short sections of laminar water.

### Product characteristics at a glance

- Can be used indoors and outdoors
- Selectable RGB-LED light
- Switchable running light function
- Laminar water jet
- Cut off function



Jumping Jet Rainbow Star



Jumping Jet Rainbow Star





#### Technical note

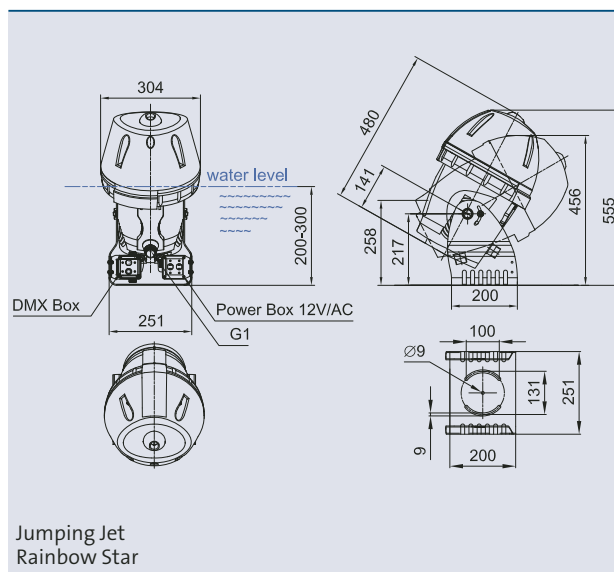
With the respective pump and control technique you can reach different water parabolas (see graphic below). An ideal pump for these effects is the **Varionaut**, see pages 92-101.

When operating the Rainbow-Star, water can splash, particularly with water jets that are shot quickly in succession. The amount of splash water is negligible if the water jet is operated as a full, continuous parabola (see graphic).

The water must be clean in order to transport light via the water jet. The target point can only be illuminated by the parabola if the water is clear.

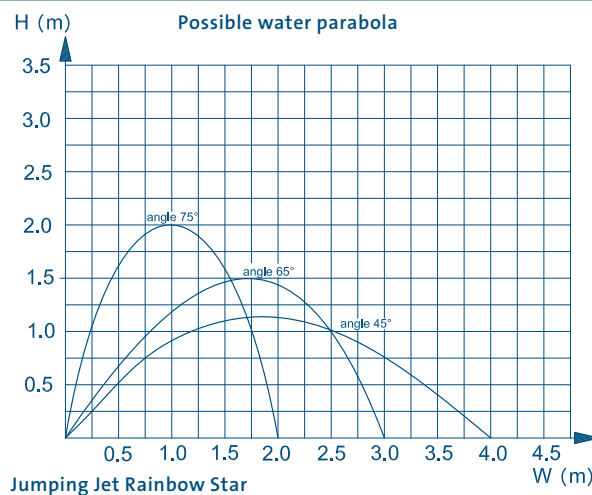
#### Accessories (must be ordered separately)

|  |                  |
|--|------------------|
| <b>Aquarius Universal Premium 5000</b> (see page 102)          | <b>56617</b>     |
| <b>Installation kit JumpingJet Rainbow Star</b> (see page 245) | <b>51058</b>     |
| <b>Connecting cable DMX/01</b> (see page 162)                  | <b>Order no.</b> |
| Connecting cable DMX/1.0 m/01                                  | <b>12368</b>     |
| Connecting cable DMX/3.0 m/01                                  | <b>12369</b>     |
| Connecting cable DMX/5.0 m/01                                  | <b>12371</b>     |
| Connecting cable DMX/10.0 m/01                                 | <b>12372</b>     |
| Connecting cable DMX/20.0 m/01                                 | <b>12373</b>     |
| End Resistant for Bus-System DMX/01                            | <b>12007</b>     |
| DMX-Box/01   | <b>57646</b>     |
| <b>Connecting cable 12V AC/01</b> (see page 160)               | <b>Order no.</b> |
| Connecting cable 12V AC /1.0 m/01                              | <b>12768</b>     |
| Connecting cable 12V AC /3.0 m/01                              | <b>12374</b>     |
| Connecting cable 12V AC /7.5 m/01                              | <b>12375</b>     |
| Connecting cable 12V AC /15.0 m/01                             | <b>11740</b>     |
| <b>PowerBox 12 V AC / 01</b> (see page 160)                    | <b>50493</b>     |
| <b>Underwater transformer UST 150 / 01</b> (see page 190)      | <b>50401</b>     |
| <b>Underwater transformer UST 150 / A / 01</b> (s. page 190)   | <b>50517</b>     |
| <b>WECS II 512 / DMX/02</b> (see page 174)                     | <b>56491</b>     |
| <b>WECS II 1024 / DMX/02</b> (see page 174)                    | <b>56492</b>     |
| <b>WECS II 2048 / DMX/02</b> (see page 180)                    | <b>56507</b>     |



Jumping Jet  
Rainbow Star

| 45° Parabola       | Jumping Jet Rainbow Star /DMX/01 |           |                     |
|--------------------|----------------------------------|-----------|---------------------|
| Fountain width [m] | DWB [l/min]                      | DDB [bar] | Fountain height [m] |
| 1.5                | 16                               | 0.10      | 0.68                |
| 2                  | 20                               | 0.12      | 0.81                |
| 3                  | 24                               | 0.17      | 1.04                |
| 4                  | 28                               | 0.22      | 1.28                |
| <b>Order no.</b>   | <b>50345</b>                     |           |                     |



| Jumping Jet Rainbow Star /DMX/01                |   |
|---|---|
| Dimensions (L x W x H)                          | [mm] 478 x 305 x 555                        |
| Light type                                      | LED RGB multiple spotlights                 |
| Rated voltage (mechanical/illumination) [V/AC]  | 12  |
| Power consumption (mechanical/illumination) [W] | 33  |
| Jet diameter                                    | [mm] 12                                     |
| Min. water depth                                | [mm] 200                                    |
| Max. water depth                                | [mm] 300                                    |
| Vertical pivoting range                         | [°] 45 – 90                                 |
| DMX connection                                  | 1 x   |
| Material  | Plastic / stainless steel 1.4301 (AISI 304) |
| Weight  | [kg] 11                                     |
| <b>Order no.</b>                                | <b>50345</b>                                |



|                           | Fresh Water | Pool Water | Sea Water | 220-240 V | 400 V | 110-120 V | 50 Hz | 60 Hz | 12 V AC | 24 V DC | DMX | DMX/RDM | Plug and Spray |
|---------------------------|-------------|------------|-----------|-----------|-------|-----------|-------|-------|---------|---------|-----|---------|----------------|
| Jumping Jet Rainbow Flash |             |            |           |           |       |           |       |       |         |         |     |         |                |

\*Seawater product version on request

## JUMPING JET RAINBOW FLASH II / DMX / 02

The new generation of Jumping Jet Rainbow Flash combines functionality and virtually unlimited creative freedom. Now the Jumping Jet Rainbow Flash II can be arranged wet or dry.

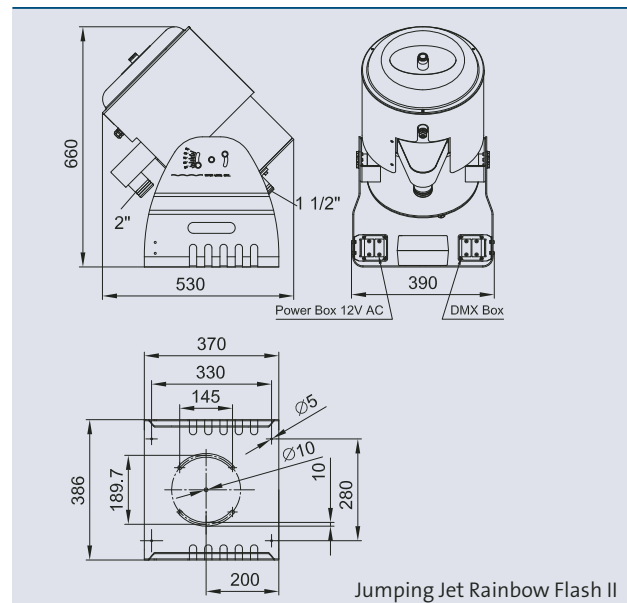
The combination possibilities give the system an individual flair: The laminar water jet can also have cutting effects. The colour of the integrated RGB-light can be freely selected. Now it is possible using only one rated voltage of 12V/ AC and only one control box of DMX/RDM for illumination and mechanics.

### Product characteristics at a glance

- Can be used indoors and outdoors with dry installation technology
- Surprising water features, dynamic parabola possible
- Precise, crystal clear water jets
- Jet diameter 18 mm
- Integrated illumination effects with strong RGB-LED light
- Cut off function
- RDM-DMX capable (combine with WECS)
- Vibration-free, quiet operation
- Extremely stable - with or without floor anchoring
- Compact stainless steel design
- Sea water Jumping Jet Rainbow Flash II on request



Jumping Jet Rainbow Flash II



Jumping Jet Rainbow Flash II



### Technical note

When operating the Rainbow-Flash, water can splash, particularly with water jets that are shot quickly in succession; the amount is approx. 2 litres per hour. The amount of splash water is negligible if the water jet is operated as a full, continuous parabola.

The water must be clean in order to transport light via the water jet. The target point can only be illuminated by the parabola (see graphic on right) if the water is clear.

| 45° Parabola   |             | Jumping Jet Rainbow Flash II/DMX/02 |  |
|----------------|-------------|-------------------------------------|--|
| Fountain width | DWB [l/min] | DDB [bar]                           |  |
| 1.25 m         | 30          | 0.10                                |  |
| 2.00 m         | 36          | 0.15                                |  |
| 3.00 m         | 46          | 0.20                                |  |
| 4.00 m         | 54          | 0.25                                |  |
| 5.00 m         | 63          | 0.30                                |  |
| 6.00 m         | 72          | 0.35                                |  |
| Order no.      |             | 50528                               |  |

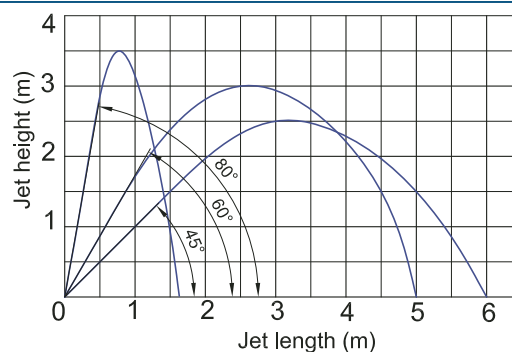
A

|     | X Tube length [m] | Y min [m] |
|-----|-------------------|-----------|
| 45° | 0-3               | 0.1       |
|     | 4                 | 0.5       |
|     | 5                 | 1         |
|     | 6                 | 1.5       |
| 80° | 0-3               | 1         |
|     | 4                 | 1         |
|     | 5                 | 1.5       |
|     | 6                 | 1.5       |

\*Hose to be laid without sharp bends  
\*Hose outlet must to be free and over water level

B

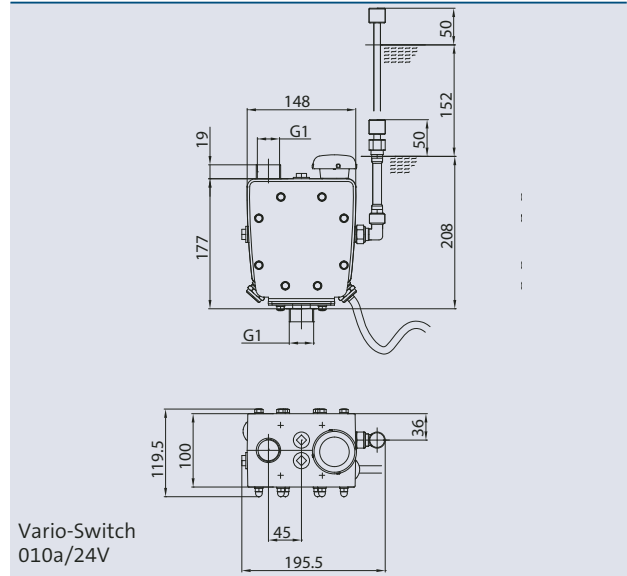
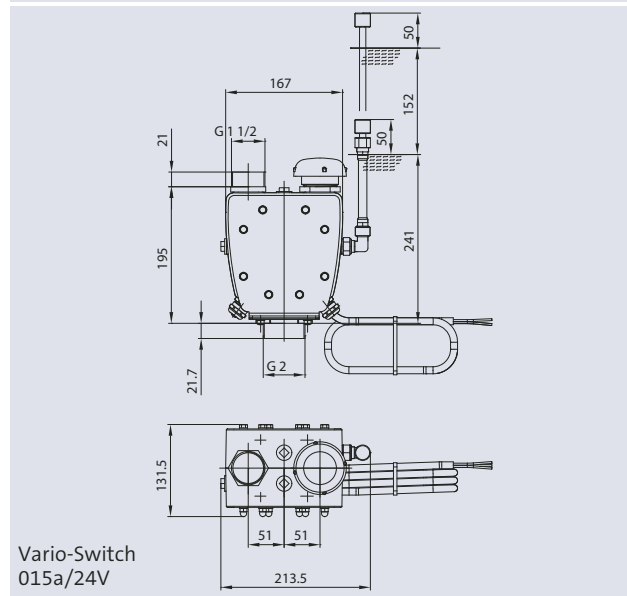
### Possible water parabola



### Accessories (must be ordered separately)

| Connecting cable DMX/01 (see page 162)                        | Order no. |
|---|-----------|
| Connecting cable DMX/1.0 m/01                                 | 12368     |
| Connecting cable DMX/3.0 m/01                                 | 12369     |
| Connecting cable DMX/5.0 m/01                                 | 12371     |
| Connecting cable DMX/10.0 m/01                                | 12372     |
| Connecting cable DMX/20.0 m/01                                | 12373     |
| End Resistant for Bus-System DMX/01                           | 12007     |
| DMX-Box/01  | 57646     |
| Connecting cable 12V AC/01 (see page 160)                     | Order no. |
| Connecting cable 12V AC /1.0 m/01                             | 12768     |
| Connecting cable 12V AC /3.0 m/01                             | 12374     |
| Connecting cable 12V AC /7.5 m/01                             | 12375     |
| Connecting cable 12V AC /15.0 m/01                            | 11740     |
| <b>PowerBox 12 V AC / 01 (see page 160)</b>                   | 50492     |
| <b>Underwater transformer UST 150 / 01 (see page 190)</b>     | 50401     |
| <b>Underwater transformer UST 150 / A / 01 (see page 190)</b> | 50517     |
| <b>WECS II 512 / DMX/02 (see page 174)</b>                    | 56491     |
| <b>WECS II 1024 / DMX/02 (see page 174)</b>                   | 56492     |
| <b>WECS II 2048 / DMX/02 (see page 180)</b>                   | 56507     |

| Jumping Jet Rainbow Flash II / DMX / 02          |   |
|--|---|
| Dimensions (length/width/height)                 | [mm] 530 x 390 x 660  |
| Light type                                       | LED RGB multiple spotlight  |
| Rated voltage mechanic and illumination          | [V/AC] 12   |
| Total consumption                                | [W] 20  |
| Jet diameter                                     | [mm] Ø18  |
| Max. water parabola laminar with light           | [m] 6   |
| Max. water parabola laminar                      | [m] 7   |
| Max. pressure                                    | [bar] 0.5   |
| Max. water depth (wet installation)              | [mm] 250  |
| Vertical pivoting range                          | [°] 45 - 90   |
| Pressure side connection                         | Hose connection 1 1/2"  |
| Outflow side connection                          | Hose connection 2"  |
| RDM-DMX connection                               | 1 box   |
| Number of DMX channels                           | 8 channels, start number 1  |
| Material   | Stainless steel 1.4301 (AISI 304)   |
| Weight   | [kg] 50   |
| Environmental condition: submersible application | [°C] Water temperature: min 4°C to max. 35°C  |
| Environmental condition: dry application         | [°C] Ambient temperature: max. 30°C with natural convection, max. 40 with forced convection, no direct sun exposure permitted |
| Order no.  | 50528   |

Vario-Switch  
010a/24VVario-Switch  
015a/24V

|              | Fresh Water | Pool Water | Sea Water | 220-240 V | 400 V | 110-120 V | 50 Hz | 60 Hz | 12 V AC | 24 V DC | DMX | DMX/<br>RDM | Plug and<br>Spray |
|--------------|-------------|------------|-----------|-----------|-------|-----------|-------|-------|---------|---------|-----|-------------|-------------------|
| Vario-Switch | ✓           | ✓          | ✓         | ✓         | ✓     | ✓         | ✓     | ✓     | ✓       | ✓       | ✓   | ✓           | ✓                 |

## VARIO-SWITCH

### Product characteristics at a glance

- Dynamically variable water effect for musical fountains or interactive water effects
- Effect switchover is virtually executed without pressure loss
- Power-saving electrical valve technology
- Stable construction and stainless steel side pieces
- Four-core connection cable provided by others
- Low maintenance in good water conditions
- No-maintenance membrane valves



Vario-Switch 010a/24V

Vario-Switch 015a/24V



**In musical fountains or other fountain installations with dynamic elements water becomes lively with help from Vario switch systems.**

This water switch is combined with a suitable nozzle and switches between two outputs – similar to a 3/2-way valve – almost without pressure loss and without water hammer effects in the lines. Normally one of those outputs is used as a pure bypass, however a second nozzle can also be mounted.

The air for alternately switching (e.g. atmospheric pressure on and off) is supplied via the telescopic tube. Switchover time is flow dependent and cycles of 0.1 s are achievable.

Please note: the operational range of the device is limited by the min. and max. flow rate als shown below.

**Accessories** (must be ordered separately)

|                                      | Order no. |
|--------------------------------------|-----------|
| Comet 10-12 T (see page 44)          | 50968     |
| Comet 10-14 T (see page 44)          | 50969     |
| Comet 15-17 T (see page 44)          | 50970     |
| Comet 10-12 Silver (see page 42)     | 45454     |
| Comet 10-14 Silver (see page 42)     | 50723     |
| Comet 15-17 Silver (see page 42)     | 50724     |
| Schaumsprudler 35-10 E (see page 64) | 50984     |
| Schaumsprudler 55-15 E (see page 64) | 50987     |

Water flow and pressure requirements of the Vario-Switch with different nozzles

| Model               | Vario-Switch Vario-Switch 010a/24V |       |              |       |                       |       | Vario-Switch Vario-Switch 015a/24V |       |                       |       |
|---------------------|------------------------------------|-------|--------------|-------|-----------------------|-------|------------------------------------|-------|-----------------------|-------|
|                     | Comet 10-12T                       |       | Comet 10-14T |       | Schaumsprudler 35-10E |       | Comet 15-17T                       |       | Schaumsprudler 55-15E |       |
| Nozzle              | DDB                                | DWB   | DDB          | DWB   | DDB                   | DWB   | DWB                                | DDB   | DDB                   | DWB   |
| Fountain height [m] | bar                                | l/min | bar          | l/min | bar                   | l/min | bar                                | l/min | bar                   | l/min |
| 0.50                | 0.21                               | 27    | 0.25         | 31    | 0.42                  | 38    | 0.16                               | 100   | 0.50                  | 158   |
| 1.00                | 0.35                               | 37    | 0.46         | 40    | 0.72                  | 49    | 0.22                               | 123   | 0.92                  | 209   |
| 1.50                | 0.60                               | 46    | 0.66         | 48    | 0.98                  | 57    | 0.32                               | 137   | 1.42                  | 255   |
| 2.00                | 0.72                               | 50    | 0.86         | 55    | 1.22                  | 63    | 0.42                               | 154   | 1.92                  | 291   |
| 2.50                | 0.86                               | 55    | 1.06         | 61    | 1.52                  | 70    | 0.52                               | 168   | 2.48                  | 322   |
| 3.00                | 1.02                               | 60    | 1.32         | 67    | 1.80                  | 76    | 0.62                               | 181   | 2.80                  | 343   |
| 3.50                | 1.22                               | 65    | 1.55         | 73    | 2.10                  | 81    | 0.72                               | 192   |                       |       |
| 4.00                | 1.38                               | 70    | 1.82         | 79    |                       |       | 0.82                               | 202   |                       |       |
| 4.50                | 1.64                               | 75    | 1.96         | 82    |                       |       | 0.92                               | 214   |                       |       |
| 5.00                | 1.82                               | 80    | 2.18         | 87    |                       |       | 1.02                               | 218   |                       |       |
| 5.50                | 2.10                               | 85    | 3.00         | 96    |                       |       | 1.12                               | 230   |                       |       |

| VarioSwitch             | 010a/24V                                    | 015a/24V                                    |
|-------------------------|---|---|
| Dimensions (LxWxH) [mm] | 150 x 120 x 210                             | 170 x 130 x 240                             |
| Nominal voltage         | 24V / DC                                    | 24V / DC                                    |
| Power consumption [W]   | 2 x 8                                       | 2 x 8                                       |
| Flow rate min. [l/min]  | 35.0  | 85.0  |
| Flow rate max. [l/min]  | 95.0  | 325.0                                       |
| Pressure min. [bar]     | 0.1   | 0.2   |
| Pressure max. [bar]     | 3.4   | 3.0   |
| Protection class        | IP 58                                       | IP 58                                       |
| Strainer [ø mm]         | 2   | 2   |
| Material                | Plastic / stainless steel 1.4301 (AISI 304) | Plastic / stainless steel 1.4301 (AISI 304) |
| Weight [kg]             | 5.2   | 6.7   |
| Cable length [m]        | 2.0   | 2.0   |
| <b>Order no.</b>        | <b>57472</b>                                | <b>57435</b>                                |

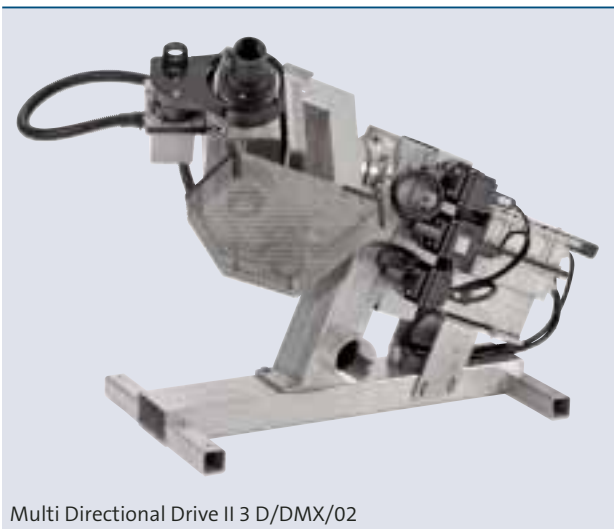


|                                       | Fresh Water | Pool Water | Sea Water | 220-240 V | 400 V | 110-120 V | 50 Hz | 60 Hz | 12 V AC | 24 V DC | DMX | DMX/RDM | Plug and Spray |
|---------------------------------------|-------------|------------|-----------|-----------|-------|-----------|-------|-------|---------|---------|-----|---------|----------------|
| Multi Directional Drive II 3 D/DMX/02 | ✓           | ✓          | ✓         | ✓         | ✓     | ✓         | ✓     | ✓     | ✓       | ✓       | ✓   | ✓       | ✓              |

## MULTI DIRECTIONAL DRIVE II 3 D/DMX/02

The multidimensional drive with its endless rotating axis and two swivel drives creates a complete new and unforgettable water pattern.

The MDD in combination with the different nozzle patterns Fan Jet 15-8 (53047), Finger Nozzle 7-15 E (51110) and the overlapping movements caused by the endless rotation with a swivelling range of max. 180° on the y-axis and 200° on the x-axis result in innumerable impressive effects.



Multi Directional Drive II 3 D/DMX/02

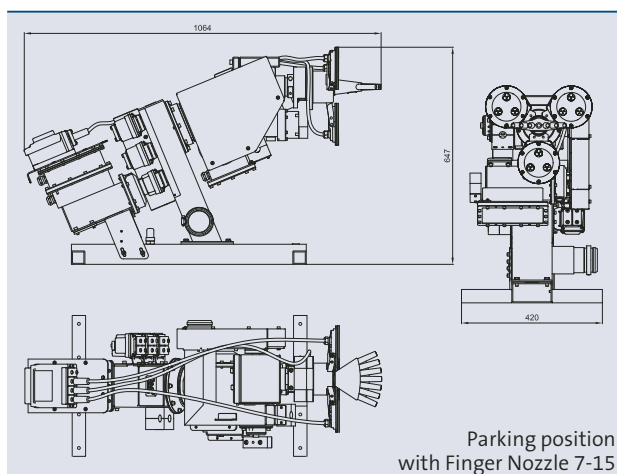
The Multi Directional Drive II 3D, which is suitable for fresh water, pool water and sea water application, has a waterproof 24 V DC voltage plug connection and DMX data plug connection and is DMX/RDM-capable

### Product characteristics at a glance

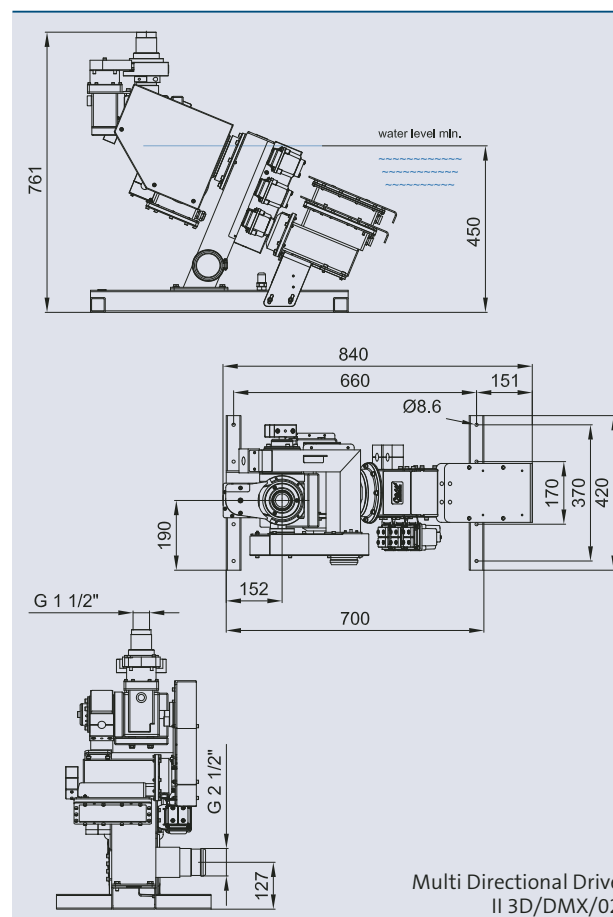
- Multidimensional drive, suitable for different nozzle patterns  
(Fan Jet 10-20-6 S (50524), Finger Nozzle 7-15 E (51110))
- Pivoting range up to 200°/3 sec. on the x-axis and 140° on the y-axis, z-axis 360° endless rotation in both directions, individual controllable, 850°/1 sec (2.3 rotation per sec.)
- Underwater parking position possible
- 1 ½"-thread nozzle, 2 ½"-thread water
- Robust stainless steel construction
- Suitable for operation in fresh water, pool water and sea water
- Energy efficient 24 V/DC motor
- DMX/RDM capable
- Controllable by OASE DMX-RDM controller (WECS II)  
(not included in the scope of delivery)



|                 | MDD II 3D   |      | Finger Nozzle 7-15                 |      | Fan Jet 15-8                      |      | Finger Nozzle 7-15 on MDD II 3D                    |      | Fan Jet 15-8 on MDD II 3D                         |      |
|-----------------|---|------|------------------------------------|------|-----------------------------------|------|--|------|---|------|
|                 | DWB   | DDB  | DWB                                | DDB  | DWB                               | DDB  | DWB  | DDB  | DWB   | DDB  |
| Fountain height | l/min   | bar  | l/min                              | bar  | l/min                             | bar  | l/min  | bar  | l/min   | bar  |
| 1.00 [m]        | 150   | 0.15 | 150                                | 0.10 | 200                               | 0.11 | 150  | 0.25 | 200   | 0.30 |
| 1.50 [m]        | 200   | 0.19 | 200                                | 0.21 | 244                               | 0.17 | 200  | 0.40 | 244   | 0.42 |
| 2.00 [m]        | 250   | 0.25 | 250                                | 0.35 | 282                               | 0.25 | 250  | 0.60 | 282   | 0.55 |
| 4.00 [m]        | 300   | 0.32 | 300                                | 0.48 | 517                               | 0.65 | 300  | 0.80 | 517   | 1.33 |
| 5.00 [m]        | 400   | 0.48 | –                                  | –    | 750                               | 1.33 | –  | –    | 750   | 2.73 |
|                 | 500   | 0.63 |                                    |      |                                   |      |  |      |   |      |
|                 | 600   | 0.95 |                                    |      |                                   |      |  |      |   |      |
|                 | 700   | 1.28 |                                    |      |                                   |      |  |      |   |      |
|                 | 800   | 1.55 |                                    |      |                                   |      |  |      |   |      |
| Material        | Stainless steel 1.4571 (AISI 316Ti) / Ceramic / POM |      | Stainless steel 1.4404 (AISI 316L) |      | Stainless steel 1.4301 (AISI 304) |      | Stainless steel 1.4404 (AISI 316L) / Ceramic / POM |      | Stainless steel 1.4301 (AISI 304) / POM / Ceramic |      |
| Order no.       | 51225   |      | 51110                              |      | 53047                             |      | 51110 + 51225                                      |      | 53047 + 51225                                     |      |


**Accessories** (must be ordered separately)

|   |                  |
|---|------------------|
| Finger Nozzle 7 - 15 E (see page 60)                    | 51110            |
| Fan Jet 15-8 E (see page 55)                            | 53047            |
| LED-Modul II 960 /DMX/02 (see page 151)                 | 51069            |
| Underwater power supply 250 / 24 V / 01 (see pages 170) | 50733            |
| <b>Connecting cable DMX/01</b> (see page 162)           | <b>Order no.</b> |
| Connecting cable DMX/1.0 m/01                           | 12368            |
| Connecting cable DMX/3.0 m/01                           | 12369            |
| Connecting cable DMX/5.0 m/01                           | 12371            |
| Connecting cable DMX/10.0 m/01                          | 12372            |
| Connecting cable DMX/20.0 m/01                          | 12373            |
| End Resistant for Bus-System DMX/01                     | 12007            |
| DMX-Box/01  | 57646            |
| <b>Connecting cable 24V DC/01</b> (see page 160)        | <b>Order no.</b> |
| Connecting cable 24V DC /1.0 m/01                       | 12762            |
| Connecting cable 24V DC /3.0 m/01                       | 12552            |
| Connecting cable 24V DC /7.5 m/01                       | 12553            |
| Connecting cable 24V DC /15.0 m/01                      | 11720            |
| <b>PowerBox 24 V DC / 01</b> (see page 160)             | 50493            |
| <b>WECS II 512 / DMX/02</b> (see page 174)              | 56491            |
| <b>WECS II 1024 / DMX/02</b> (see page 174)             | 56492            |
| <b>WECS II 2048 / DMX/02</b> (see page 180)             | 56507            |



| Multi Directional Drive II 3D/DMX/02 |   |
|--------------------------------------|---|
| Dimensions (L x W x H)               | [mm] 840 x 420 x 761                                |
| Nominal voltage                      | [V/DC] 24   |
| Power consumption                    | [W] 79.2  |
| Nominal current                      | [A] 3.3   |
| Max. operation pressure              | [bar] 3.5   |
| Protection class                     | IP 68   |
| Power connection                     | with box  |
| RDM-DMX connection                   | with box  |
| Material                             | Stainless steel 1.4571 (AISI 316Ti) / Ceramic / POM |
| Weight                               | [kg] 71   |
| Order no.                            | 51225   |



|                            | Fresh Water | Pool Water | Sea Water | 220-240 V | 400 V | 110-120 V | 50 Hz | 60 Hz | 12 V AC | 24 V DC | DMX | DMX/RDM | Plug and Spray |
|----------------------------|-------------|------------|-----------|-----------|-------|-----------|-------|-------|---------|---------|-----|---------|----------------|
| Multi Directional Drive II | ✓           | ✓          | ✓         | ✓         | ✓     | ✓         | ✓     | ✓     | ✓       | ✓       | ✓   | ✓       | ✓              |

## MULTI DIRECTIONAL DRIVE II /DMX/02

**Unique and limitless in its motion: The multidirectional drive sets a new standard in water design.**

Thanks to its pivoting range of 200 degrees on the x-axis and 140 degrees on the y-axis, the mobility of the Multi Directional Drive hardly knows any limits and allows countless impressive water effects. It is suitable for a variety of nozzles such as precision or fan nozzles.



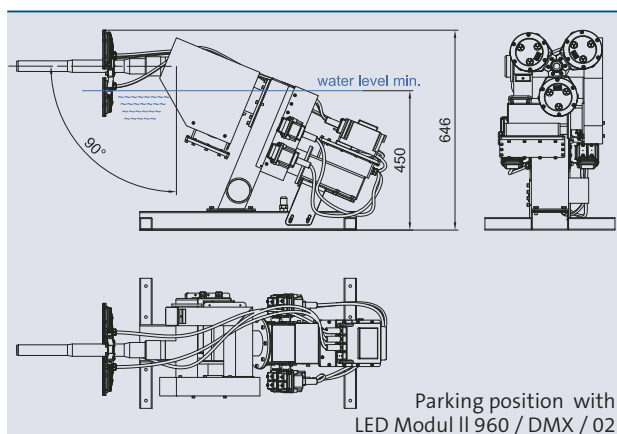
Multi Directional Drive II /DMX/02

### Product characteristics at a glance

- Multidimensional Drive, suitable for different nozzle patterns (Comet Prec 20-20 Silver or fan jet 10-20-6 Silver)
- Pivoting range up to 200° on the x-axis and 140° on the y-axis
- 2"-thread nozzle, 2 ½"-thread water
- Robust stainless steel construction
- Controllable by OASE RDM-DMX controller (WECS II)  
(not included in scope of delivery)
- Energy efficient motor, 24 V/ DC

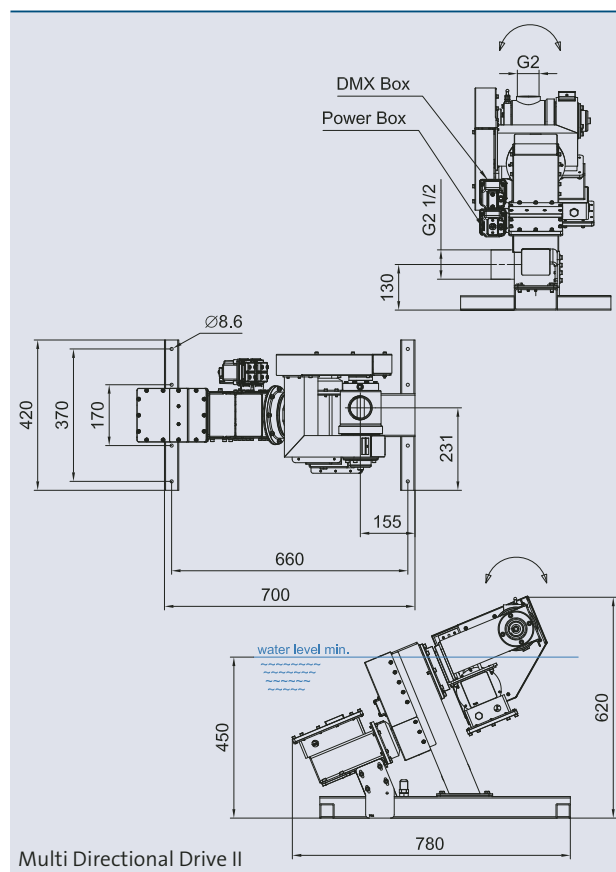


|                       | Comet Prec 20-20 silver |      | Fan Jet 10-20-6 Silver |       |      | MDD                                 | Comet Prec 20-20 S on MDD                             |      |      | Fan Jet 10-20-6 S on MDD                              |      |  |
|-----------------------|-------------------------|------|------------------------|-------|------|-------------------------------------|---|------|------|---|------|--|
| Dimensions (Ø x H mm) | 60 x 460                |      | 70 x 341               |       |      |                                     | ca. 700 x 420 x 1060                                  |      |      | ca. 700 x 420 x 935                                   |      |  |
| Fountain height       | DWB                     | DDB  | SPB                    | DWB   | DDB  | DDB                                 | DWB   | DDB  | SPB  | DWB   | DDB  |  |
|                       | l/min                   | bar  | m                      | l/min | bar  | bar                                 | l/min   | bar  | m    | l/min   | bar  |  |
| 1.00 [m]              | 90                      | 0.12 | 2.00                   | 134   | 0.13 | 0.04                                | 90  | 0.14 | 2.00 | 134   | 0.27 |  |
| 1.50 [m]              | 102                     | 0.17 | 3.00                   | 165   | 0.19 | 0.06                                | 102   | 0.21 | 3.00 | 165   | 0.40 |  |
| 2.00 [m]              | 117                     | 0.22 | 4.10                   | 195   | 0.27 | 0.08                                | 117   | 0.28 | 4.10 | 195   | 0.55 |  |
| 4.00 [m]              | 170                     | 0.46 |                        |       |      | 0.11                                | 170   | 0.51 |      |   |      |  |
| 6.00 [m]              | 227                     | 0.69 |                        |       |      | 0.13                                | 227   | 0.82 |      |   |      |  |
| 8.00 [m]              | 263                     | 0.92 |                        |       |      | 0.15                                | 263   | 1.07 |      |   |      |  |
| 10.00 [m]             | 295                     | 1.16 |                        |       |      | 0.18                                | 295   | 1.34 |      |   |      |  |
| 12.00 [m]             | 323                     | 1.40 |                        |       |      | 0.19                                | 323   | 1.59 |      |   |      |  |
| 16.00 [m]             | 385                     | 1.90 |                        |       |      | 0.25                                | 385   | 2.15 |      |   |      |  |
| 20.00 [m]             | 441                     | 2.40 |                        |       |      | 0.35                                | 441   | 2.75 |      |   |      |  |
| Material              | Stainless steel         |      | Stainless steel        |       |      | Stainless steel 1.4571 (AISI 316Ti) | Stainless steel + Stainless steel 1.4571 (AISI 316Ti) |      |      | Stainless steel + Stainless steel 1.4571 (AISI 316Ti) |      |  |
| Order no.             | 50523                   |      | 50524                  |       |      | 50702                               | 50523 + 50702   |      |      | 50524 + 50702   |      |  |



**Accessories** (must be ordered separately)

|  |                  |
|--|------------------|
| <b>Comet Prec 20-20 silver</b> (see page 46)                   | 50523            |
| <b>Fan Jet 10-20-6 silver</b> (see page 55)                    | 50524            |
| <b>LED Modul II 960 / DMX / 02</b> (see page 151)              | 51069            |
| <b>Underwater power supply 250 / 24 V / 01</b> (see pages 170) | 50733            |
| <b>Connecting cable DMX/01</b> (see page 162)                  | <b>Order no.</b> |
| Connecting cable DMX/1.0 m/01                                  | 12368            |
| Connecting cable DMX/3.0 m/01                                  | 12369            |
| Connecting cable DMX/5.0 m/01                                  | 12371            |
| Connecting cable DMX/10.0 m/01                                 | 12372            |
| Connecting cable DMX/20.0 m/01                                 | 12373            |
| End Resistant for Bus-System DMX/01                            | 12007            |
| DMX-Box/01   | 57646            |
| <b>Connecting cable 24V DC/01</b> (see page 160)               | <b>Order no.</b> |
| Connecting cable 24V DC /1.0 m/01                              | 12762            |
| Connecting cable 24V DC /3.0 m/01                              | 12552            |
| Connecting cable 24V DC /7.5 m/01                              | 12553            |
| Connecting cable 24V DC /15.0 m/01                             | 11720            |
| <b>PowerBox 24 V DC / 01</b> (see page 160)                    | 50493            |
| <b>WECS II 512 / DMX/02</b> (see page 174)                     | 56491            |
| <b>WECS II 1024 / DMX/02</b> (see page 174)                    | 56492            |
| <b>WECS II 2048 / DMX/02</b> (see page 180)                    | 56507            |



| <b>Multi Directional Drive II /DMX/02</b> |                                     |
|---|-------------------------------------|
| Dimensions (L x W x H)                    | [mm] 780 x 420 x 620                |
| Nominal voltage                           | [V/DC] 24                           |
| Power consumption                         | [W] 53                              |
| Nominal current                           | [A] 2.2                             |
| Max. operation pressure                   | [bar] 3.5                           |
| Protection class                          | IP 68                               |
| Power connection                          | with box                            |
| RDM-DMX connection                        | with box                            |
| Material                                  | Stainless steel 1.4571 (AISI 316Ti) |
| Weight                                    | [kg] 45                             |
| <b>Order no.</b>                          | <b>50702</b>                        |



|               | Fresh Water | Pool Water | Sea Water | 220-240 V | 400 V | 110-120 V | 50 Hz | 60 Hz | 12 V AC | 24 V DC | DMX | DMX/RDM | Plug and Spray |
|---------------|-------------|------------|-----------|-----------|-------|-----------|-------|-------|---------|---------|-----|---------|----------------|
| Swivel/DMX/02 | ✓           | ✓          | ✓         | ✓         | ✓     | ✓         | ✓     | ✓     | ✓       | ✓       | ✓   | ✓       | ✓              |

\*Seawater product version on request

## SWIVEL/DMX/02

The swivel creates swivelling and impressive water effects.

These water effects are formed by combining this single dimensional drive with a pivoting range of max. 180° on the y-axis and nozzles (Comet Prec 20-20 E, Finger Nozzle 7-15 E or fan jet 10-20-6 E)



Swivel/DMX/02

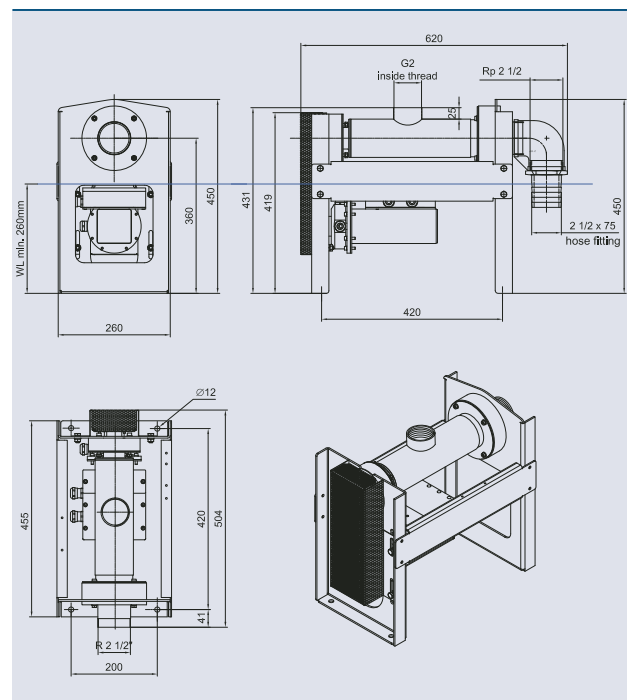
### Product characteristics at a glance

- Single dimensional drive, suitable for fan nozzles as well as comet nozzles (Comet Prec 20-20 E or fan jet 10-20-6 E)
- Pivoting range of max. 180°
- 2"-thread nozzle, 2½"-thread water
- Robust stainless steel construction
- Controllable by OASE DMX devices (not included in scope of delivery)
- Energy efficient motor, 24 V/ DC
- Suitable for fresh water and pool water application.
- Sea water Swivel on request.




**Accessories** (must be ordered separately)

|  |                  |
|--|------------------|
| <b>Finger Nozzle 7 - 15 E</b> (see page 60)                    | <b>51110</b>     |
| <b>Comet Prec 20-20 silver</b> (see page 46)                   | <b>50523</b>     |
| <b>Fan Jet 10-20-6 silver</b> (see page 55)                    | <b>50524</b>     |
| <b>LED Modul II 960 / DMX / 02</b> (see pages 151)             | <b>51069</b>     |
| <b>Underwater power supply 250 / 24 V / 01</b> (see pages 170) | <b>50733</b>     |
| <b>Connecting cable DMX/01</b> (see page 162)                  | <b>Order no.</b> |
| Connecting cable DMX/1.0 m/01                                  | <b>12368</b>     |
| Connecting cable DMX/3.0 m/01                                  | <b>12369</b>     |
| Connecting cable DMX/5.0 m/01                                  | <b>12371</b>     |
| Connecting cable DMX/10.0 m/01                                 | <b>12372</b>     |
| Connecting cable DMX/20.0 m/01                                 | <b>12373</b>     |
| End Resistant for Bus-System DMX/01                            | <b>12007</b>     |
| DMX-Box/01   | <b>57646</b>     |
| <b>Connecting cable 24V DC/01</b> (see pages 160)              | <b>Order no.</b> |
| Connecting cable 24V DC /1.0 m/01                              | <b>12762</b>     |
| Connecting cable 24V DC /3.0 m/01                              | <b>12552</b>     |
| Connecting cable 24V DC /7.5 m/01                              | <b>12553</b>     |
| Connecting cable 24V DC /15.0 m/01                             | <b>11720</b>     |
| <b>PowerBox 24 V DC / 01</b> (see pages 160)                   | <b>50493</b>     |
| <b>WECS II 512 / DMX/02</b> (see page 174)                     | <b>56491</b>     |
| <b>WECS II 1024 / DMX/02</b> (see page 174)                    | <b>56492</b>     |
| <b>WECS II 2048 / DMX/02</b> (see page 180)                    | <b>56507</b>     |


**Swivel/DMX/02**

|                         |        |                                   |
|-------------------------|--------|-----------------------------------|
| Dimensions (L x W x H)  | [mm]   | 620x450x200                       |
| Nominal voltage         | [V/DC] | 24                                |
| Power consumption       | [W]    | 36                                |
| Nominal current         | [A]    | 1.5                               |
| Max. operation pressure | [bar]  | 2.0                               |
| Protection class        |        | IP 68                             |
| Power connection        |        | with box                          |
| RDM/DMX connection      |        | with box                          |
| Material                |        | Stainless steel 1.4301 (AISI 304) |
| Weight                  | [kg]   | appr. 25                          |
| <b>Order no.</b>        |        | <b>50342</b>                      |



|            | Fresh Water | Pool Water | Sea Water | 220-240 V | 400 V | 110-120 V | 50 Hz | 60 Hz | 12 V AC | 24 V DC | DMX | DMX/RDM | Plug and Spray |
|------------|-------------|------------|-----------|-----------|-------|-----------|-------|-------|---------|---------|-----|---------|----------------|
| Air Nozzle | ✓           | ✓          | ✓*        | ✓         | ✓     | ✓         | ✓     | ✓     | ✓       | ✓       | ✓   | ✓       | ✓              |

\*Seawater product version on request

## AIR NOZZLE 20E/24 E HORIZONTAL/01

## AIR NOZZLE 15E/20E VERTICAL/01

The compressed air driven AirNozzle is controlled by DMX with the DMX-Underwater Switch 24 V DC/DMX/02.

The use of compressed air leads to an optimized use of energy. With the DMX-capable Underwater Switch 24 V DC / DMX/02 system costs can be further reduced to 50 %. The different designs provide solutions for shallow water applications. There are four standard AirNozzles:

- Air Nozzle 15 E vertical/01 (58904)
- Air Nozzle 20 E vertical/01 (58904)
- Air Nozzle 20 E horizontal/01 (58904)
- Air Nozzle 24 E horizontal/01 (58904)

### Product characteristics at a glance

- Compact, robust stainless steel Air Nozzle
- IP 68 in 24 voltage technology; for underwater use

- Pluggable, easy to install and to connect through underwater OASE technology
- Short refill time – up to 15 shots per minute
- For fountain heights up to 20 m (higher fountain heights on request)
- Sea water AirNozzle on request

**System integration** Generally Air Nozzles are connected to a compressed air piping system where the pipe itself acts as the air reservoir. The pipe is almost continuously replenished by a compressor. Therefore no additional air reservoir is required to be connected to the Air-Nozzle. The volume of the pipe and the standard pressure should be chosen in such way that after a shot with all nozzles the residual pressure doesn't fall below 90% of the default value. In more complex supply systems the target pressure can be varied in order to achieve different jet heights.



Air Nozzle 20E/24 E horizontal/01

\*only China

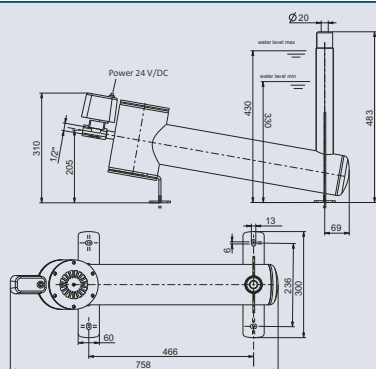


Air Nozzle 15E/20E vertical/01

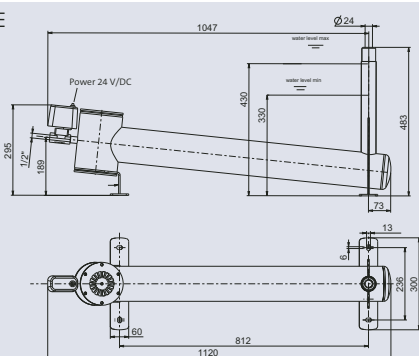
\*only China



Air Nozzle 20E horizontal/01

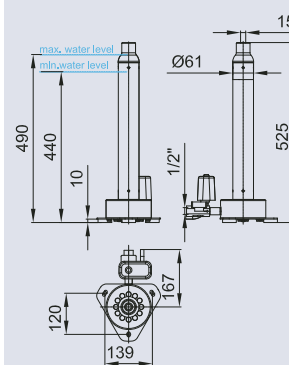


Air Nozzle 24 E horizontal/01

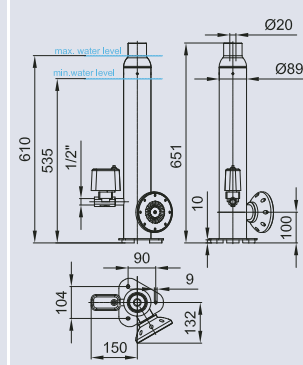


**Water Level & Refill behavior** For a long-term stable operation, it is important to keep the water level constant. This is because the fill level and the replenishment time depends on the water level. In this sense the best surrounding for such water features are waterbodies in which the water level is determined by a dam or an overflow.

Air Nozzle 15 E vertical/01



Air Nozzle 20 E vertical/01



| Air pressure [bar]                   | Height [m] | Shooting time every [s] | Air demand per shot [l] |
|--------------------------------------|------------|-------------------------|-------------------------|
| <b>Air Nozzle 20 E horizontal/01</b> |            |                         |                         |
| 0.50                                 | 1.50       | 2.00                    | 1.50                    |
| 1.00                                 | 4.50       | 3.00                    | 2.50                    |
| 1.50                                 | 8.50       | 4.20                    | 4.50                    |
| 2.00                                 | 12.00      | 5.10                    | 5.50                    |
| 2.50                                 | 15.00      | 6.30                    | 10.50                   |
| <b>Air Nozzle 24 E horizontal/01</b> |            |                         |                         |
| 1.00                                 | 4.60       | 3.90                    | 3.00                    |
| 2.00                                 | 11.00      | 6.10                    | 9.00                    |
| 3.00                                 | 15.00      | 7.60                    | 11.50                   |
| 4.00                                 | 18.00      | 9.30                    | 20.00                   |
| 4.50                                 | 20.00      | 9.30                    | 21.50                   |
| <b>Air Nozzle 15 E vertical/01</b>   |            |                         |                         |
| 0.50                                 | 2.00       | 2.00                    | 0.50                    |
| 0.75                                 | 4.00       | 3.00                    | 1.50                    |
| 0.90                                 | 5.00       | 4.00                    | 2.00                    |
| 1.00                                 | 6.00       | 4.00                    | 2.50                    |
| <b>Air Nozzle 20 E vertical/01</b>   |            |                         |                         |
| 0.75                                 | 3.00       | 4.00                    | 2.00                    |
| 1.00                                 | 4.00       | 4.00                    | 2.00                    |
| 1.50                                 | 10.00      | 4.00                    | 3.50                    |
| 2.00                                 | 14.00      | 4.00                    | 7.50                    |

**Accessories** (must be ordered separately)

|  |       |
|--|-------|
| Underwater Switch 24V / DMX / 02 (see page 168)        | 56411 |
| Underwater power supply 250 / 24 V / 01 (see page 170) | 50733 |
| <b>Connecting cable DMX/01 (see page 162)</b>          |       |
| Connecting cable DMX/1.0 m/01                          | 12368 |
| Connecting cable DMX/3.0 m/01                          | 12369 |
| Connecting cable DMX/5.0 m/01                          | 12371 |
| Connecting cable DMX/10.0 m/01                         | 12372 |
| Connecting cable DMX/20.0 m/01                         | 12373 |
| End Resistant for Bus-System DMX/01                    | 12007 |
| DMX-Box/01   | 57646 |
| <b>Connecting cable 24V DC/01 (see page 160)</b>       |       |
| Connecting cable 24V DC /1.0 m/01                      | 12762 |
| Connecting cable 24V DC /3.0 m/01                      | 12552 |
| Connecting cable 24V DC /7.5 m/01                      | 12553 |
| Connecting cable 24V DC /15.0 m/01                     | 11720 |
| <b>PowerBox 24 V DC / 01 (see page 160)</b>            | 50493 |
| <b>WECS II 512 / DMX/02 (see page 174)</b>             | 56491 |
| <b>WECS II 1024 / DMX/02 (see page 174)</b>            | 56492 |
| <b>WECS II 2048 / DMX/02 (see page 180)</b>            | 56507 |

| Air Nozzle horizontal/01                       | horizontal 20 E                      | horizontal 24 E  | vertical 15 E   | vertical 20 E   |
|--|--------------------------------------|------------------|-----------------|-----------------|
| Dimensions (L x W x H) [mm]                    | 758 x 300 x 483                      | 1120 x 300 x 483 | 264 x 139 x 525 | 203 x 116 x 651 |
| Shooting frequency/water refill time [seconds] | 4-10                                 | 4-10             | 2-4             | 4               |
| Amount of water per shot [l]                   | 7                                    | 10               | 0.75            | 2.50            |
| Nozzle diameter [mm]                           | 20                                   | 24               | 15              | 20              |
| Min./Max. water level [mm]                     | 330-430                              | 330-430          | 440-490         | 525-610         |
| Max. air pressure [bar]                        | 3                                    | 5                | 1               | 2               |
| Air inlet dia. [inch]                          |                                      | 1/2              |                 |                 |
| Water jet height up to [m]                     | 15                                   | 20               | 6               | 14              |
| Voltage(solenoid valve) [V/DC]                 |                                      | 24               |                 |                 |
| Nominal current(solenoid valve) [A]            | 0.46                                 | 0.46             | 0.46            | 0.46            |
| Material                                       | Stainless steel 1.4571 (AISI 316 Ti) |                  |                 |                 |
| Power cable [m]                                | 7.50                                 |                  |                 |                 |
| Weight [kg]                                    | 14.50                                | 17.00            | 5.6             | 8.1             |
| <b>Order no.</b>                               | <b>58904</b>                         | <b>58904</b>     | <b>58904</b>    | <b>58904</b>    |



|           | Fresh Water | Pool Water | Sea Water | 220-240 V | 400 V | 110-120 V | 50 Hz | 60 Hz | 12 V AC | 24 V DC | DMX | DMX/RDM | Plug and Spray |
|-----------|-------------|------------|-----------|-----------|-------|-----------|-------|-------|---------|---------|-----|---------|----------------|
| FlashWall | ✓           | ✓          | ✓         | ✓         | ✓     | ✓         | ✓     | ✓     | ✓       | ✓       | ✓   | ✓       | ✓              |

## FLASHWALL

As an attractive and vibrant element this modular interactive water wall is suitable for the use in public areas, such as Shopping malls, office complexes and theme parks. The unique arrangement of the nozzles allows for an extremely dense curtain of water, which guarantees high visibility.

This water curtain creates graphics, designs, characters, etc., which can be represented through the use of a fast reacting valve technology. Thereby the OASE FlashWall allows for almost unlimited opportunities to convey (advertising) messages. In optional combination with an SMS interface it can be also used as an interactive communication platform.

### Product characteristics at a glance

- Modular flash wall system - curved / straight (Ø 3, 4, 5, 6, 7 or 8 [m] are possible)

- Close packed nozzle/ valve arrangement for dense water curtain guaranteeing high resolution
- Ideally suited for rear projection for videos and laser graphics
- Precise valve control via DMX/CAN
- Accurately defined text and graphics displays due to fast reacting valve technology
- Optional: LED RGB Illumination
- Optional: SMS interface for the display of personal text messages

### Technical details

- For fresh-water, max 50 µm particles allowed
- 110-240V 50/60 Hz power supply
- Transformers can be at the flash wall or in separate area control cabinet, depending on environment conditions
- Max. height recommended 10 m (under zero wind condition)
- Nozzle diameter 4.6 mm
- Individually configured water inlet and water outlet

NEW

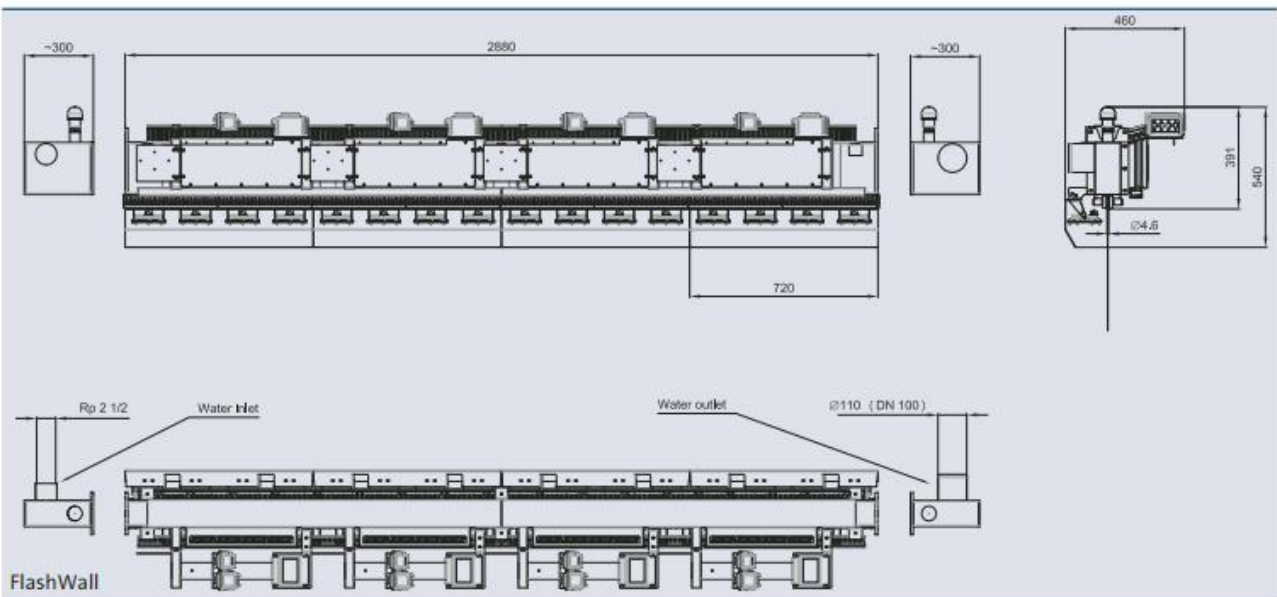


FlashWall



FlashWall

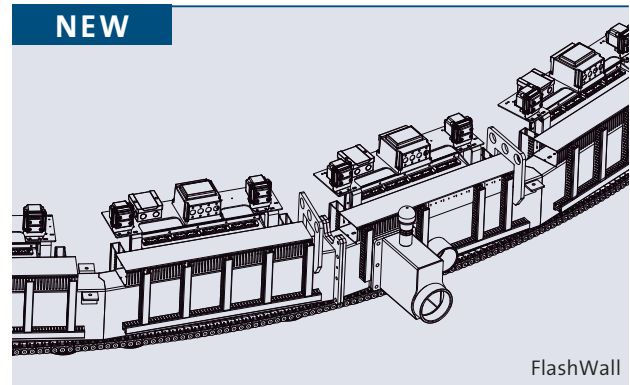




Accessories (must be ordered separately)

| Connecting cable DMX/01 (see page 162) | Order no. |
|--|-----------|
| Connecting cable DMX/1.0 m/01          | 12368     |
| Connecting cable DMX/3.0 m/01          | 12369     |
| Connecting cable DMX/5.0 m/01          | 12371     |
| Connecting cable DMX/10.0 m/01         | 12372     |
| Connecting cable DMX/20.0 m/01         | 12373     |
| End Resistant for Bus-System DMX/01    | 12007     |
| DMX-Box/01                             | 57646     |

|                                      |       |
|--------------------------------------|-------|
| WECS II 512 / DMX/02 (see page 174)  | 56491 |
| WECS II 1024 / DMX/02 (see page 174) | 56492 |
| WECS II 2048 / DMX/02 (see page 180) | 56507 |



| Dimension of the module*          | A mm | 720                   | 1440                  | 2160                  | 2880                  |
|-----------------------------------|------|-----------------------|-----------------------|-----------------------|-----------------------|
| Amount of valves                  |      | 64                    | 128                   | 192                   | 256                   |
| Distance between the nozzles [mm] |      | 11,25                 | 11,25                 | 11,25                 | 11,25                 |
| Rated voltage [V/DC]              |      | 24                    | 24                    | 24                    | 24                    |
| Power consumption [W]             |      | 450                   | 900                   | 1350                  | 1800                  |
| Water consumption [l/min]         |      | 32                    | 64                    | 96                    | 128                   |
| Material                          |      | Stainless steel / POM | Stainless steel / POM | Stainless steel / POM | Stainless steel / POM |
| Weight dry [kg]                   |      | 35                    | 70                    | 105                   | 140                   |
| Weight filled with water [kg]     |      | 42                    | 84                    | 126                   | 168                   |
| Order no.                         |      | 58975                 | 58975                 | 58975                 | 58975                 |

\*Any combination of different module is possible.



| VarioJet | Fresh Water | Pool Water | Sea Water | 220-240 V | 400 V | 110-120 V | 50 Hz | 60 Hz | 12 V AC | 24 V DC | DMX | DMX/RDM | Plug and Spray |
|----------|-------------|------------|-----------|-----------|-------|-----------|-------|-------|---------|---------|-----|---------|----------------|
|          |             |            |           |           |       |           |       |       |         |         |     |         |                |

\*Seawater product version on request

## VARIOJET

The VarioJet Nozzle creates a dynamic, variable water pattern. The nozzle is driven by two Varionaut pumps.

The nozzle generates spray patterns from a water bell up to a single stream. These different water patterns are formed by controlling both the Varionaut pumps individually.

### Product characteristics at a glance

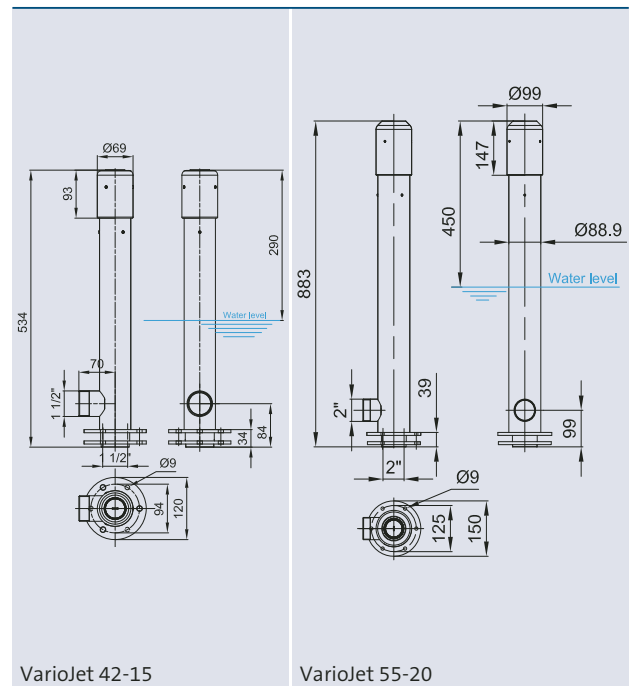
- Dynamic and variable water pattern with two Varionaut pumps
- Compact, robust stainless steel Nozzle
- 2 pressure connections
- Nozzle with adjustable flange
- Sea water VarioJet on request

Sold in the US in cooperation with Technifex



VarioJet 42-15

VarioJet 55-20



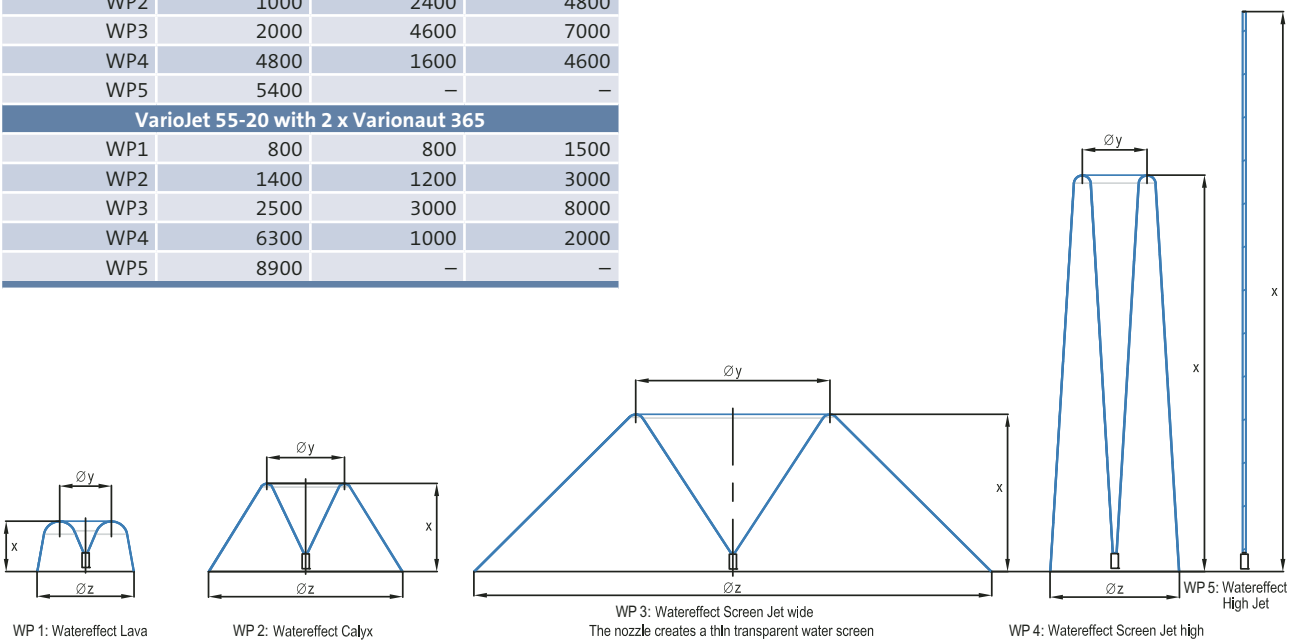
VarioJet 42-15

VarioJet 55-20





|  | Fountain height (x) | Calyx diameter [mm] (y) | Fountain diameter (z) |
|--|---------------------|-------------------------|-----------------------|
| <b>VarioJet 42-15 with 2 x Varionaut 150</b> |                     |                         |                       |
| WP1  | 160                 | 600                     | 900                   |
| WP2  | 1000                | 1000                    | 2400                  |
| WP3  | 1200                | 2000                    | 4000                  |
| WP4  | 2000                | 500                     | 1200                  |
| WP5  | 2900                | –                       | –                     |
| <b>VarioJet 42-15 with 2 x Varionaut 270</b> |                     |                         |                       |
| WP1  | 400                 | 1200                    | 2200                  |
| WP2  | 1000                | 2400                    | 4800                  |
| WP3  | 2000                | 4600                    | 7000                  |
| WP4  | 4800                | 1600                    | 4600                  |
| WP5  | 5400                | –                       | –                     |
| <b>VarioJet 55-20 with 2 x Varionaut 365</b> |                     |                         |                       |
| WP1  | 800                 | 800                     | 1500                  |
| WP2  | 1400                | 1200                    | 3000                  |
| WP3  | 2500                | 3000                    | 8000                  |
| WP4  | 6300                | 1000                    | 2000                  |
| WP5  | 8900                | –                       | –                     |



| VarioJet                                |      | 42-15                             | 55-20        |
|---|------|-----------------------------------|--------------|
| Dimensions (Ø x H)                      | [mm] | 69 x 534                          | 150 x 883    |
| Max. Fountain height (2x Varionaut 150) | [m]  | 2.90                              | –            |
| Max. Fountain height (2x Varionaut 270) | [m]  | 5.40                              | –            |
| Max. Fountain height (2x Varionaut 365) | [m]  | –                                 | 8.90         |
| Material                                |      | Stainless steel 1.4301 (AISI 304) |              |
| Weight                                  | [kg] | 5.10                              | 13.20        |
| <b>Order no.</b>                        |      | <b>58906</b>                      | <b>58906</b> |



|                           | Fresh Water | Pool Water | Sea Water | 220-240 V | 400 V | 110-120 V | 50 Hz | 60 Hz | 12 V AC | 24 V DC | DMX | DMX/RDM | Plug and Spray |
|---------------------------|-------------|------------|-----------|-----------|-------|-----------|-------|-------|---------|---------|-----|---------|----------------|
| Fountain Flame 24V/DMX/02 | ✓           | ✓*         | ✓         | ✓         | ✓     | ✓         | ✓     | ✓     | ✓       | ✓       | ✓   | ✓       | ✓              |
| Fountain Flame/DMX/02/V2  | ✓           | ✓*         | ✓         | ✓         | ✓     | ✓         | ✓     | ✓     | ✓       | ✓       | ✓   | ✓       | ✓              |

\*max. 0.45 mg/l free chlorine

## FOUNTAIN FLAME 24V/DMX/02

## FOUNTAIN FLAME/DMX/02/V2

The Fountain Flame produces spectacular special effects of light, water and fire. The gas flame burns on top of the variable jet. The handy unit is powered by the 24V or 230V Technology.

The Fountain Flame system is developed in cooperation with TBF-PyroTec, who contributed the ignition, burner and gas technology. These are integrated with OASE's DMX-controlled Varionaut pumps, LED Lighting and special nozzle to create fascinating special effects combining water and fire. The freely programmable Fountain Flame, the water along with the flame,

reaches a height of up to 8 m. The fire is carried up by the water. The RGB LED-ProfiLux-lights illuminate the fountain jet individually. The ignition burner and the flame adjustment are also controlled via DMX. Thereby a variety of combined effects can be achieved with water and fire creating endless possibilities. The running flame can also be projected on a water jet parabola. This system is available as a fixed installation or as a mobile device. The Fountain Flame is designed for use in fresh water and pool water\* and has a waterproof 24V DC power connection for illumination and a waterproof DMX data connection. The Fountain Flame is DMX / RDM capable.

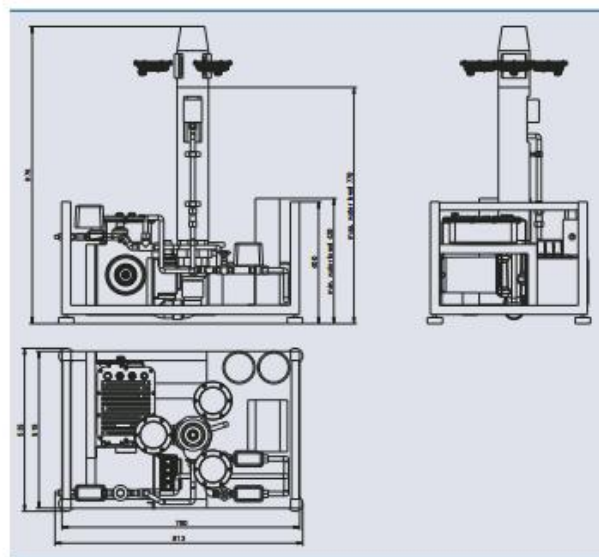
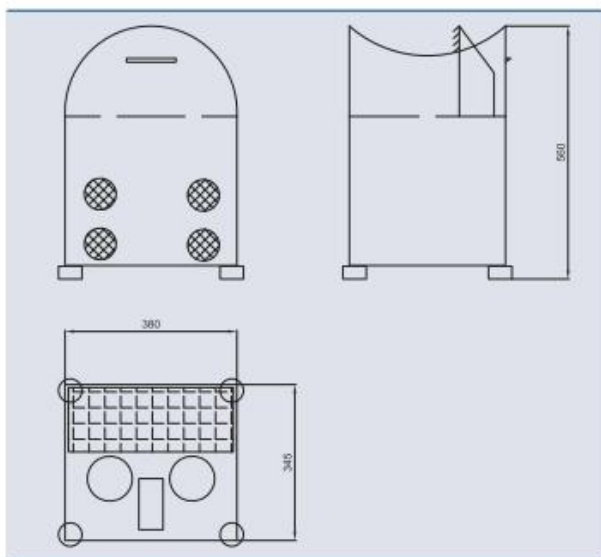
### NEW



Fountain Flame/DMX/02/V2

### Product characteristics at a glance

- Continuously DMX-controlled fire – water fountain with a jet height up to 8 m with 230 V Version
- Continuously DMX-controlled fire – water fountain with a jet height up to 2.8 m with 24V Version
- RGB LED spotlights to illuminate the fountain jet with DMX
- DMX-controlled ignition burner and flame adjustment
- Large variety of combined fire and water effects, and even more to discover
- The running flame can also be projected on a parabolic jet of water



### Scope of delivery 24 V-Version (58905)

- 1 x 50665 Varionaut 150 24V/DMX/ 02
- 1 x 50723 Comet 15-17 Silver
- 2 x 56267 ProfiLux 110/DMX/02
- 1 x 50720 Underwater LED Driver /DMX/02
- 1 x 50733 Underwater Power Supply 250 24V/ DMX/02
- 1 x Flame System 24V (320 x 200 x 150 [mm])
- 1 x pipe paket of 5 m

Only propane butan gas (2.5 to 4 kg/h) at 3 bar  
Not suitable for natural gas.

| Fountain Flame 24V /DMX/02          |      |                 |
|-------------------------------------|------|-----------------|
| Dimensions (L x W x H) without pump | [mm] | 380 x 345 x 560 |
| Order no.                           |      | 58905           |

|                       | Comet 15-17 on Varionaut 150 24V/DMX/02 |      | Comet Prec 20-20 Silver on Varionaut 365 / DMX / 02 |      |
|-----------------------|---|------|---|------|
|                       | DWB                                     | DDB  | DWB   | DDB  |
| Fountain height       | l/min                                   |      | bar   |      |
| 0.50 [m]              | 42                                      | 0.06 | –   | –    |
| 0.75 [m]              | 52                                      | 0.09 | –   | –    |
| 1.00 [m]              | 62                                      | 0.11 | 90  | 0.12 |
| 1.25 [m]              | 69                                      | 0.14 | 96  | 0.14 |
| 1.50 [m]              | 76                                      | 0.17 | 102   | 0.17 |
| 1.75 [m]              | 82                                      | 0.19 | 110   | 0.19 |
| 2.00 [m]              | 89                                      | 0.22 | 117   | 0.22 |
| 2.50 [m]              |   |      | 132   | 0.28 |
| 3.00 [m]              |   |      | 147   | 0.34 |
| 3.50 [m]              |   |      | 160   | 0.40 |
| 4.00 [m]              |   |      | 170   | 0.46 |
| 5.00 [m]              |   |      | 206   | 0.57 |
| 6.00 [m]              |   |      | 227   | 0.69 |
| 7.00 [m]              |   |      | 245   | 0.81 |
| Material              | Stainless steel                         |      |   |      |
| Weight Comet [kg]     | 0.86                                    |      | 1.55  |      |
| Weight Varionaut [kg] | 5                                       |      | 17  |      |
| Order no.             | 50724 + 50665                           |      | 50523 + 50526                                       |      |

### Scope of delivery 230 V-Version (58905)

- 1 x 50526 Varionaut 365 / DMX/ 02
- 1 x 50523 Comet Prec 20-20
- 3 x 50717 ProfiLux 320 /DMX/02
- 1 x 50720 Underwater LED Driver /DMX/02
- 1 x Flame System

Only propane gas (5 to 7.5 kg/h) at 3 bar  
Not suitable for natural gas.

| Fountain Flame /DMX/02              |      |                 |
|-------------------------------------|------|-----------------|
| Dimensions (L x W x H) without pump | [mm] | 813 x 535 x 976 |
| Order no.                           |      | 58905           |





|                 | Fresh Water | Pool Water | Sea Water | 220-240 V | 400 V | 110-120 V | 50 Hz | 60 Hz | 12 V AC | 24 V DC | DMX | DMX/RDM | Plug and Spray |
|-----------------|-------------|------------|-----------|-----------|-------|-----------|-------|-------|---------|---------|-----|---------|----------------|
| Fog/Mist System | ☑*          | ☑          | ☑         | ☑         | ☑     | ☑         | ☑     | ☑     | ☑       | ☑       | ☑   | ☑       | ☑              |

\*Tapwater

## FOG/MIST SYSTEM

These new Fog/Mist System produce a new, fascinating water effect. These fine droplets can be illuminated very well in the dark, thus creating a new dynamic water effect.

There are two different types of nozzles -mist nozzles and fog nozzles. Mist nozzles operate at a pressure of about 3 bar, and fog nozzles operate at about 80 bar.

\*Due to possible contamination in fresh water tap water is used for the application of high-pressure fog nozzles. With a high-pressure nozzle the droplets are finer (the higher the pressure, the finer the water droplets).

Fog nozzles enhance lighting effects: a light matrix, for example, appears more voluminous, more majestic and dynamic. Mist nozzles create a spacial effect.

**NEW**



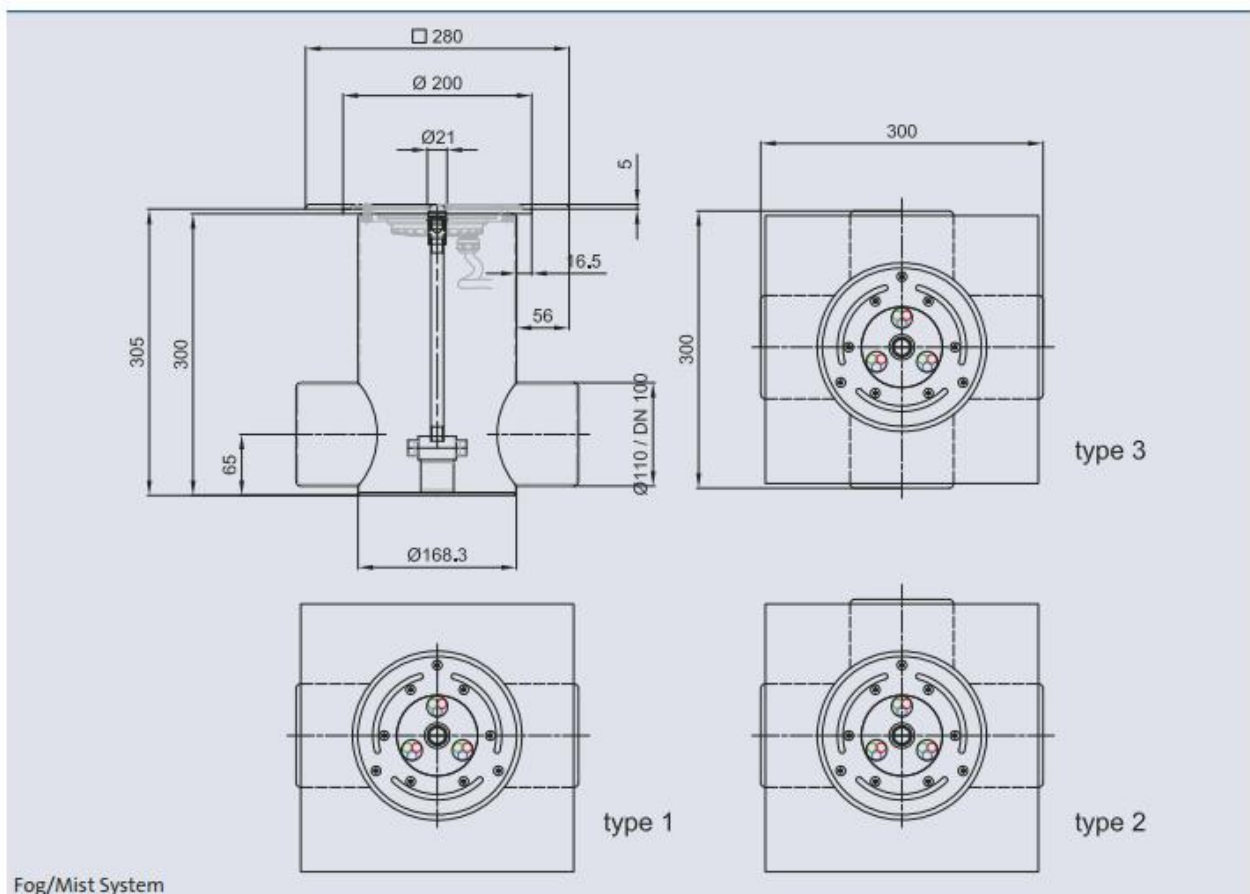
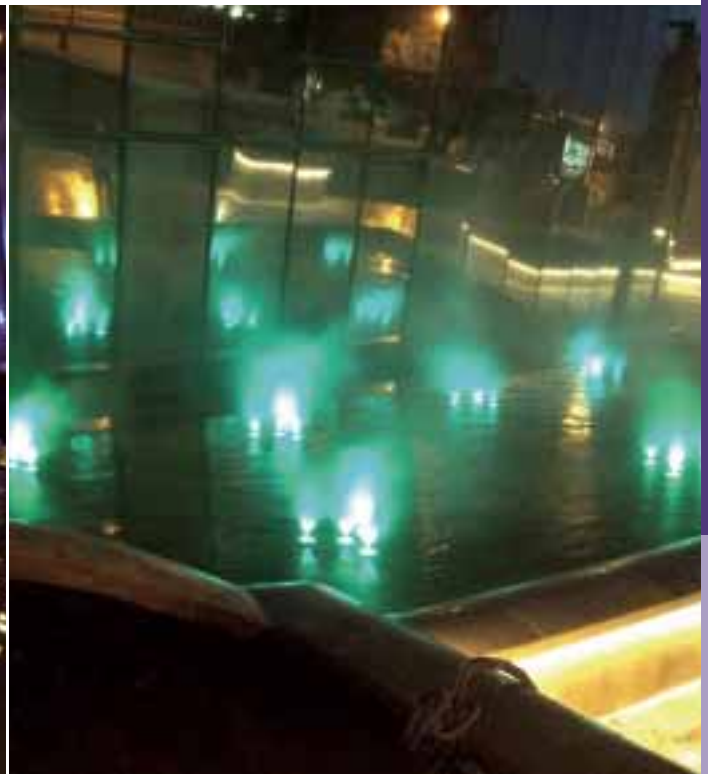
Fog/Mist System

### Product characteristics at a glance

- Fog/Mist System project-oriented with LED lights
- Fog/Mist System is project-oriented with a chamber
- Individual solutions available on request

### An example of chamber with a mist nozzle:

- With DA110/ DN 100 connection (as per request 2, 3 or 4 pcs)
- High-quality, robust stainless steel construction
- Graphics shows special coverplate



Graphics shows special coverplate

| Fog/Mist System        |      |                                   |
|------------------------|------|-----------------------------------|
| Dimensions (L x W x H) | [mm] | 300 x 300 x 305                   |
| Material               |      | Stainless steel 1.4301 (AISI 304) |
| Weight                 | [kg] | 7.5                               |
| Order no.              |      | 58909                             |

# CLASSIC NOZZLES

NOZZLES

CLASSIC



**The classic nozzles can be used for modern installations as well as in traditional pool design. Combined with a controllable pump, these effects also become interactive.**

Spray fountain nozzles and fountain attachments in any shape and size are suitable for a variety of design possibilities: Whether stately fountains, playful water flowers, baroque pirouettes or powerful water arches – discover our variety of classic nozzles.

Our standard offering with many designs even satisfies complicated requirements. On request, we also manufacture the appropriate individual solution after consultation with you.

The energy-efficient nozzle Cluster 38-15 is new in the product range, learn more on page 47.





#### 40 Classic Nozzles

- 42 Comet-Silver
- 44 Comet T
- 46 Comet Prec
- 47 Cluster Eco
- 48 Hollow Jet nozzles
- 50 High Jet / Geyser Jet
- 51 Lava
- 52 Water sphere / hemisphere
- 54 Gushing nozzle
- 55 Fan Jet
- 56 Water Screen Nozzle
- 58 Grand Vulkan / Trumpet Jet
- 59 Vulcan
- 60 Finger Nozzle
- 61 Crown Nozzle
- 62 Rotating Nozzle
- 64 Schaumsprudler
- 68 Cascade
- 72 Geyser
- 76 Mylar Lace

#### MARDAN PALACE HOTEL

##### LOCATION: ANTALYA/TURKEY

Reminding of Arabian Nights, the site of Mardan Palace Hotel in Antalya, Turkey is one of the most exclusive Hotels in the Mediterranean. The installation combines water with laser and LED light and impresses by underlining the unique terrace architecture.



*Comet-Silver – Cluster Eco – Hollow jet nozzle*



|              | Fresh Water | Pool Water | Sea Water | 220-240 V | 400 V | 110-120 V | 50 Hz | 60 Hz | 12 V AC | 24 V DC | DMX | DMX/RDM | Plug and Spray |
|--------------|-------------|------------|-----------|-----------|-------|-----------|-------|-------|---------|---------|-----|---------|----------------|
| Comet-Silver | ✓           | ✓          | ✓         | ✓         | ✓     | ✓         | ✓     | ✓     | ✓       | ✓       | ✓   | ✓       | ✓              |

## COMET-SILVER

These Single Jet nozzles generate a clear, full jet that is stable in wind. New is the silver optic of the Comet nozzles with durable chromed and nickel plated brass.

The new Comet 10-12 Silver and Comet 10-14 Silver is ideal for the combination with ProfiPlane LED 320 / DMX / 02 and ProfiRing LED 320 / DMX / 02 (see page 128-131).

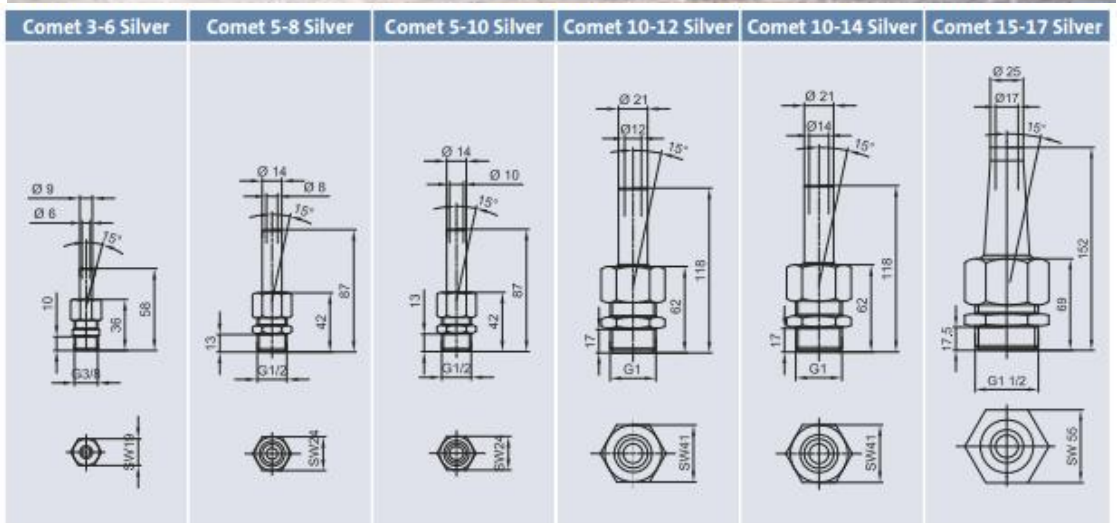
### Product characteristics at a glance

- Small to medium-sized single-jet nozzles
- Fountain heights 0.50 m to 12.00 m
- Clear wind-stable full jet
- 15° vertically pivoting ball joint
- Water-level independent
- With flow director
- Durable chromed and nickel plated brass
- Extensive design versatility: as a single fountain or in groups



Comet-Silver

| Accessories (must be ordered separately) | Order no. |
|--|-----------|
| Sleeve 10 silver (see page 244)          | 51018     |
| Sleeve 15 silver (see page 244)          | 51019     |
| Reducing sleeve 15 x 10 (see page 245)   | 51032     |
| Reducing sleeve 20 x 15 (see page 245)   | 51030     |



|                       |      | Comet 3-6 Silver    |      | Comet 5-8 Silver |      | Comet 5-10 Silver |      | Comet 10-12 Silver |      | Comet 10-14 Silver |      | Comet 15-17 Silver |      |
|-----------------------|------|---------------------|------|------------------|------|-------------------|------|--------------------|------|--------------------|------|--------------------|------|
| Dimensions (Ø x H mm) |      | 22 x 58             |      | 28 x 87          |      | 28 x 87           |      | 47.3 x 118         |      | 47 x 118           |      | 63 x 152           |      |
| Fountain height       |      | DWB                 | DDB  | DWB              | DDB  | DWB               | DDB  | DWB                | DDB  | DWB                | DDB  | DWB                | DDB  |
|                       |      | l/min               | bar  | l/min            | bar  | l/min             | bar  | l/min              | bar  | l/min              | bar  | l/min              | bar  |
| 0.50                  | [m]  | 4.8                 | 0.06 | 9.5              | 0.07 | 15                | 0.08 | 21                 | 0.06 | 30                 | 0.06 | 42                 | 0.06 |
| 0.75                  | [m]  | 6.2                 | 0.09 | 11.5             | 0.10 | 19                | 0.11 | 25                 | 0.08 | 37                 | 0.09 | 52                 | 0.09 |
| 1.00                  | [m]  | 7.2                 | 0.12 | 12.6             | 0.13 | 21                | 0.14 | 31                 | 0.11 | 44                 | 0.12 | 62                 | 0.11 |
| 1.25                  | [m]  | 8.7                 | 0.15 | 14.9             | 0.16 | 25                | 0.18 | 35                 | 0.14 | 50                 | 0.15 | 69                 | 0.14 |
| 1.50                  | [m]  | 10.0                | 0.18 | 17.0             | 0.18 | 28                | 0.20 | 39                 | 0.17 | 55                 | 0.18 | 76                 | 0.17 |
| 1.75                  | [m]  | 11.1                | 0.21 | 18.8             | 0.21 | 31                | 0.25 | 43                 | 0.21 | 60                 | 0.21 | 82                 | 0.19 |
| 2.00                  | [m]  | 12.1                | 0.25 | 20.5             | 0.24 | 33                | 0.28 | 46                 | 0.23 | 65                 | 0.24 | 89                 | 0.22 |
| 2.50                  | [m]  | 14.0                | 0.32 | 23.4             | 0.32 | 37                | 0.36 | 53                 | 0.29 | 73                 | 0.30 | 100                | 0.28 |
| 3.00                  | [m]  | 15.6                | 0.40 | 26.1             | 0.39 | 41                | 0.44 | 58                 | 0.35 | 81                 | 0.37 | 110                | 0.34 |
| 3.50                  | [m]  |                     |      | 28.5             | 0.47 | 45                | 0.52 | 63                 | 0.42 | 87                 | 0.43 | 119                | 0.40 |
| 4.00                  | [m]  |                     |      | 30.7             | 0.54 | 49                | 0.60 | 68                 | 0.48 | 94                 | 0.50 | 127                | 0.46 |
| 5.00                  | [m]  |                     |      |                  |      | 55                | 0.76 | 76                 | 0.61 | 105                | 0.62 | 143                | 0.58 |
| 6.00                  | [m]  |                     |      |                  |      | 60                | 0.92 | 84                 | 0.74 | 116                | 0.75 | 157                | 0.70 |
| 7.00                  | [m]  |                     |      |                  |      |                   |      | 91                 | 0.87 | 125                | 0.88 | 170                | 0.82 |
| 8.00                  | [m]  |                     |      |                  |      |                   |      | 98                 | 1.00 | 134                | 1.01 | 182                | 0.94 |
| 9.00                  | [m]  |                     |      |                  |      |                   |      |                    |      | 143                | 1.14 | 193                | 1.06 |
| 10.00                 | [m]  |                     |      |                  |      |                   |      |                    |      | 151                | 1.28 | 204                | 1.18 |
| 11.00                 | [m]  |                     |      |                  |      |                   |      |                    |      |                    |      | 214                | 1.30 |
| 12.00                 | [m]  |                     |      |                  |      |                   |      |                    |      |                    |      | 222                | 1.40 |
| Material              |      | Double coated brass |      |                  |      |                   |      |                    |      |                    |      |                    |      |
| Weight                | [kg] | 0.06                |      | 0.13             |      | 0.13              |      | 0.45               |      | 0.45               |      | 0.86               |      |
| Order no.             |      | 50721               |      | 50762            |      | 50722             |      | 45454              |      | 50723              |      | 50724              |      |





|       | Fresh Water | Pool Water | Sea Water | 220-240 V | 400 V | 110-120 V | 50 Hz | 60 Hz | 12 V AC | 24 V DC | DMX | DMX/RDM | Plug and Spray |
|-------|-------------|------------|-----------|-----------|-------|-----------|-------|-------|---------|---------|-----|---------|----------------|
| Comet |             |            |           |           |       |           |       |       |         |         |     |         |                |

## COMET 3-5 T TO 15-20 T

These single-jet nozzles generate a clear, full jet that is stable in wind.

These nozzles are usually arranged in a group. All sizes have a ball joint with which the jet can be pivoted up to 15° from the vertical plane.



Comet 15-20 T

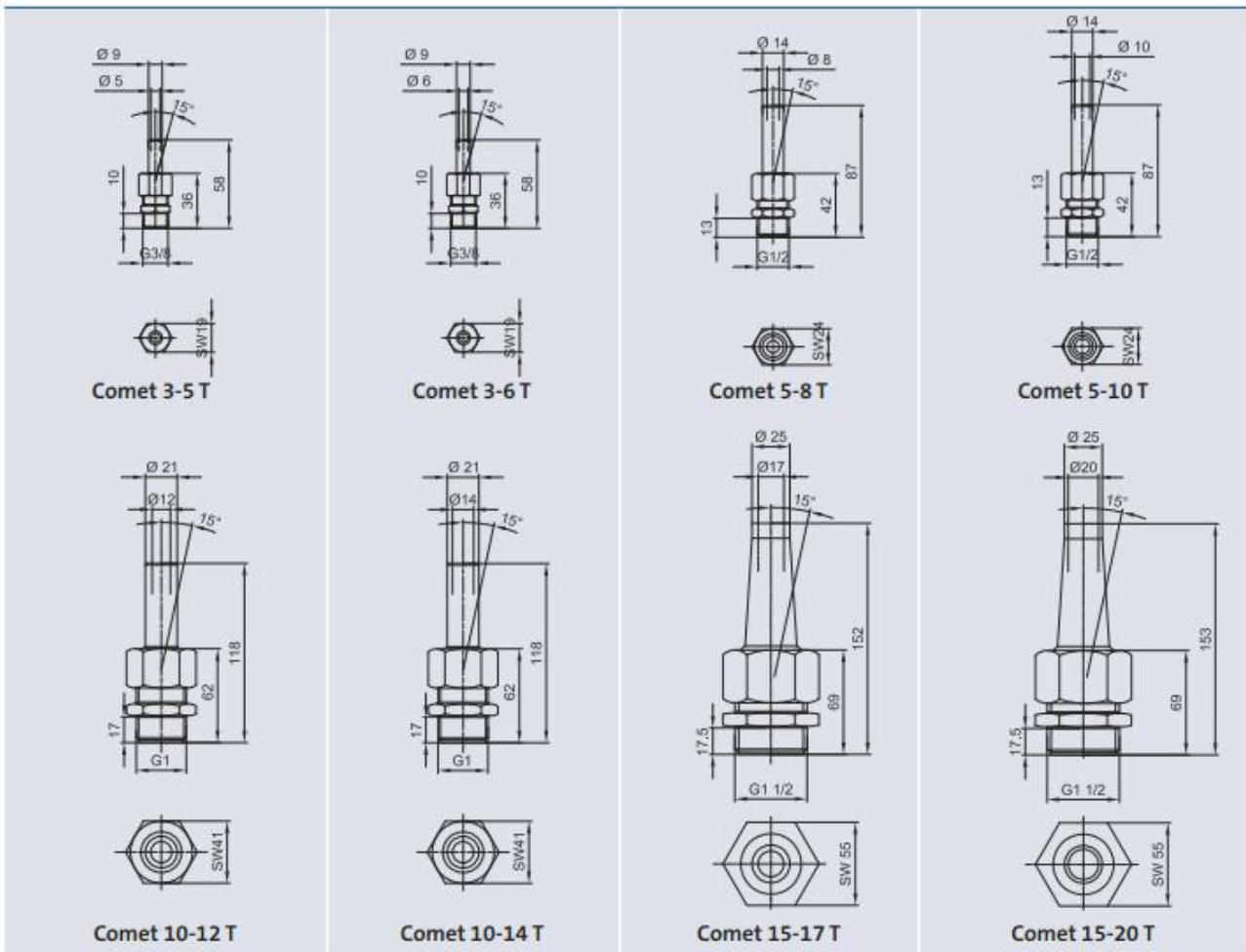
This feature makes it possible to generate interesting water patterns.

The Comet 10-12 T and Comet 10-14 T is ideal for the combination with ProfiPlane LED 320 / DMX / 02 and ProfiRing LED 320 / DMX / 02 (see page 128-131).

### Product characteristics at a glance

- Small to medium-sized clear-jet nozzles with flow director
- Fountain heights 0.5 m to 14.0 m
- Clear wind-stable full jet
- Up to 15° vertically pivoting ball joint
- Water-level independent
- Extensive design versatility: as a single fountain or in groups

| Accessories (must be ordered separately) | Order no. |
|--|-----------|
| Sleeve 10 silver (see page 244)          | 51018     |
| Sleeve 15 silver (see page 244)          | 51019     |
| Reducing sleeve 15 x 10 (see page 245)   | 51032     |
| Reducing sleeve 20 x 15 (see page 245)   | 51030     |



|                       | Comet 3-5 T |      | Comet 3-6 T |      | Comet 5-8 T |      | Comet 5-10 T |      | Comet 10-12 T |      | Comet 10-14 T |      | Comet 15-17 T |      | Comet 15-20 T |      |
|-----------------------|-------------|------|-------------|------|-------------|------|--------------|------|---------------|------|---------------|------|---------------|------|---------------|------|
| Dimensions (Ø x H mm) | 19 x 58     |      | 21.9 x 58   |      | 27.6 x 87   |      | 27.6 x 87    |      | 47.3 x 118    |      | 47.3 x 118    |      | 63.3 x 152    |      | 63.3 x 152    |      |
| Fountain height       | DWB         | DDB  | DWB         | DDB  | DWB         | DDB  | DWB          | DDB  | DWB           | DDB  | DWB           | DDB  | DWB           | DDB  | DWB           | DDB  |
|                       | l/min       | bar  | l/min       | bar  | l/min       | bar  | l/min        | bar  | l/min         | bar  | l/min         | bar  | l/min         | bar  | l/min         | bar  |
| 0.50 [m]              | 3.8         | 0.07 | 4.8         | 0.06 | 9.5         | 0.07 | 15           | 0.08 | 21            | 0.06 | 30            | 0.06 | 42            | 0.06 | 59            | 0.06 |
| 0.75 [m]              | 5.3         | 0.09 | 6.2         | 0.09 | 11.5        | 0.10 | 19           | 0.11 | 25            | 0.08 | 37            | 0.09 | 52            | 0.09 | 74            | 0.08 |
| 1.00 [m]              | 6.3         | 0.13 | 7.2         | 0.12 | 12.6        | 0.13 | 21           | 0.14 | 31            | 0.11 | 44            | 0.12 | 62            | 0.11 | 88            | 0.13 |
| 1.25 [m]              | 7.2         | 0.15 | 8.7         | 0.15 | 14.9        | 0.16 | 25           | 0.18 | 35            | 0.14 | 50            | 0.15 | 69            | 0.14 | 99            | 0.16 |
| 1.50 [m]              | 8.0         | 0.18 | 10.0        | 0.18 | 17.0        | 0.18 | 28           | 0.20 | 39            | 0.17 | 55            | 0.18 | 76            | 0.17 | 110           | 0.17 |
| 1.75 [m]              | 8.7         | 0.22 | 11.1        | 0.21 | 18.8        | 0.21 | 31           | 0.25 | 43            | 0.21 | 60            | 0.21 | 82            | 0.19 | 119           | 0.21 |
| 2.00 [m]              | 9.3         | 0.25 | 12.1        | 0.25 | 20.5        | 0.24 | 33           | 0.28 | 46            | 0.23 | 65            | 0.24 | 89            | 0.22 | 128           | 0.22 |
| 2.50 [m]              |             |      | 14.0        | 0.32 | 23.4        | 0.32 | 37           | 0.36 | 53            | 0.29 | 73            | 0.30 | 100           | 0.28 | 144           | 0.28 |
| 3.00 [m]              |             |      | 15.6        | 0.40 | 26.1        | 0.39 | 41           | 0.44 | 58            | 0.35 | 81            | 0.37 | 110           | 0.34 | 158           | 0.34 |
| 3.50 [m]              |             |      |             |      | 28.5        | 0.47 | 45           | 0.52 | 63            | 0.42 | 87            | 0.43 | 119           | 0.40 | 171           | 0.39 |
| 4.00 [m]              |             |      |             |      | 30.7        | 0.54 | 49           | 0.60 | 68            | 0.48 | 94            | 0.50 | 127           | 0.46 | 184           | 0.45 |
| 5.00 [m]              |             |      |             |      |             |      | 55           | 0.76 | 76            | 0.61 | 105           | 0.62 | 143           | 0.58 | 206           | 0.57 |
| 6.00 [m]              |             |      |             |      |             |      | 60           | 0.92 | 84            | 0.74 | 116           | 0.75 | 157           | 0.70 | 227           | 0.69 |
| 7.00 [m]              |             |      |             |      |             |      |              |      | 91            | 0.87 | 125           | 0.88 | 170           | 0.82 | 245           | 0.81 |
| 8.00 [m]              |             |      |             |      |             |      |              |      | 98            | 1.00 | 134           | 1.01 | 182           | 0.94 | 263           | 0.92 |
| 9.00 [m]              |             |      |             |      |             |      |              |      |               |      | 143           | 1.14 | 193           | 1.06 | 279           | 1.04 |
| 10.00 [m]             |             |      |             |      |             |      |              |      |               |      | 151           | 1.28 | 204           | 1.18 | 294           | 1.16 |
| 11.00 [m]             |             |      |             |      |             |      |              |      |               |      |               |      | 214           | 1.30 | 309           | 1.28 |
| 12.00 [m]             |             |      |             |      |             |      |              |      |               |      |               |      | 222           | 1.40 | 323           | 1.40 |
| 13.00 [m]             |             |      |             |      |             |      |              |      |               |      |               |      |               |      | 337           | 1.52 |
| 14.00 [m]             |             |      |             |      |             |      |              |      |               |      |               |      |               |      | 350           | 1.64 |
| Material              | Brass       |      |             |      |             |      |              |      |               |      |               |      |               |      |               |      |
| Weight [kg]           | 0.06        |      | 0.06        |      | 0.13        |      | 0.13         |      | 0.45          |      | 0.45          |      | 0.86          |      | 0.86          |      |
| Order no. NPT         | -           |      | 89012       |      | 89013       |      | 89014        |      | 89015         |      | 89016         |      | 89017         |      | 89018         |      |
| Order no.             | 50959       |      | 50960       |      | 50964       |      | 50965        |      | 50968         |      | 50969         |      | 50970         |      | 50971         |      |



|                         | Fresh Water | Pool Water | Sea Water | 220-240 V | 400 V | 110-120 V | 50 Hz | 60 Hz | 12 V AC | 24 V DC | DMX | DMX/RDM | Plug and Spray |
|-------------------------|-------------|------------|-----------|-----------|-------|-----------|-------|-------|---------|---------|-----|---------|----------------|
| Comet Prec 20-20 Silver | ✓           | ✓          | ✓         | ✓         | ✓     | ✓         | ✓     | ✓     | ✓       | ✓       | ✓   | ✓       | ✓              |

## COMET PREC 20-20 SILVER

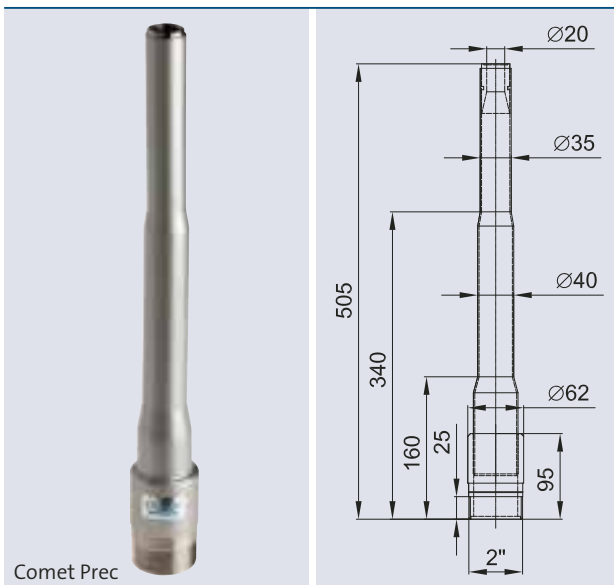
The Comet Prec 20-20 Silver generates a precise clear, full jet that is stable in the wind.

This nozzle is ideal for the combination with Multi Directional Drive II /DMX/02 (see page 26) and Swivel /DMX/02 (see page 28).

### Product characteristics at a glance

- Medium-sized single-jet nozzles
- Fountain heights 1,00m to 20,00m
- Clear wind-stable full jet
- Ideal for the combination with Multi Directional Drive II /DMX/02 and Swivel

- Can be implemented as a single fountain or in groups
- Water-level independent
- With flow director



|                       |   | Comet Prec 20-20 Silver |      |
|-----------------------|---|-------------------------|------|
| Dimensions (Ø x H mm) |   | 62 x 505                |      |
| Fountain height       |   | DWB                     | DDB  |
|                       |   | l/min                   | bar  |
| 1.00                  | [m]   | 90                      | 0.12 |
| 1.25                  | [m]   | 96                      | 0.14 |
| 1.50                  | [m]   | 102                     | 0.17 |
| 1.75                  | [m]   | 110                     | 0.19 |
| 2.00                  | [m]   | 117                     | 0.22 |
| 2.50                  | [m]   | 132                     | 0.28 |
| 3.00                  | [m]   | 147                     | 0.34 |
| 3.50                  | [m]   | 160                     | 0.40 |
| 4.00                  | [m]   | 170                     | 0.46 |
| 5.00                  | [m]   | 206                     | 0.57 |
| 6.00                  | [m]   | 227                     | 0.69 |
| 7.00                  | [m]   | 245                     | 0.81 |
| 8.00                  | [m]   | 263                     | 0.92 |
| 9.00                  | [m]   | 279                     | 1.04 |
| 10.00                 | [m]   | 295                     | 1.16 |
| 11.00                 | [m]   | 309                     | 1.28 |
| 12.00                 | [m]   | 323                     | 1.40 |
| 14.00                 | [m]   | 350                     | 1.64 |
| 16.00                 | [m]   | 385                     | 1.90 |
| 18.00                 | [m]   | 420                     | 2.15 |
| 20.00                 | [m]   | 441                     | 2.40 |
| Material              | Stainless steel 1.4571/1.4301 (AISI 316 Ti/304) |                         |      |
| Weight                | [kg]  | 1.55                    |      |
| Order no.             | 50523   |                         |      |

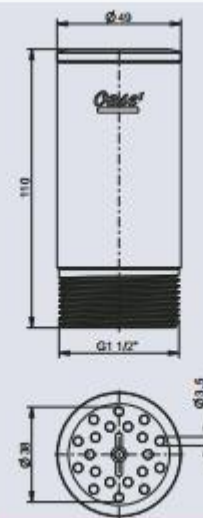




## INNOVATION – MADE BY OASE

Cluster Eco 15-38

NEW



Cluster Eco 15-38

|                   |             |            |           |           |       |           |       |       |         |         |     |         |                |
|-------------------|-------------|------------|-----------|-----------|-------|-----------|-------|-------|---------|---------|-----|---------|----------------|
|                   | Fresh Water | Pool Water | Sea Water | 220-240 V | 400 V | 110-120 V | 50 Hz | 60 Hz | 12 V AC | 24 V DC | DMX | DMX/RDM | Plug and Spray |
| Cluster Eco 15-38 |             |            |           |           |       |           |       |       |         |         |     |         |                |

\*Seawater product version on request

# CLUSTER ECO 15-38

The Cluster Eco generates one full jet with a diameter of 38 mm.

The stainless steel nozzle is designed for use in fresh water and pool water. Since the nozzle is water level independent and has a 3.5 mm opening, it is suitable for installation in dry decks. (The particle strainer diameter of the filter must be considered.) In combination with Varionaut 270, the Cluster Eco 15-38 reaches a fountain height of approx. 6 m.













### Product characteristics at a glance

- Water saving nozzle, less water consumption than conventional nozzles
- 21 single jets create one full jet with a jet diameter of 38 mm of up to 10 m
- Integrated water stabilizer with 6 deflecting blades (OASE deflecting blade technology)

- Water level independent
- Sea water Comet Eco Nozzle on request

| Cluster Eco 15-38     |     |                                   |       |
|-----------------------|-----|-----------------------------------|-------|
| Dimensions (Ø x H mm) |     | 49 x 110                          |       |
| Fountain height       |     | DWB                               | DDB   |
|                       |     | [l/min]                           | [bar] |
| 1.00                  | [m] | 56                                | 0.16  |
| 2.00                  | [m] | 79                                | 0.28  |
| 3.00                  | [m] | 95                                | 0.40  |
| 4.00                  | [m] | 111                               | 0.55  |
| 5.00                  | [m] | 128                               | 0.68  |
| 6.00                  | [m] | 140                               | 0.81  |
| 7.00                  | [m] | 152                               | 0.93  |
| 8.00                  | [m] | 164                               | 1.05  |
| 9.00                  | [m] | 176                               | 1.18  |
| 10.00                 | [m] | 187                               | 1.32  |
| Material              |     | Stainless steel 1.4301 (AISI 304) |       |
| Weight [kg]           |     | 0.6                               |       |
| Order no.             |     | 45480                             |       |



|                             | Fresh Water   | Pool Water  | Sea Water   |
|-----------------------------|---|---|---|
| 50966 Hollow Jet nozzle 68  |  |  |  |
| 50973 Hollow Jet nozzle 100 |  |  |  |
| 55350 Hollow Jet nozzle 130 |  |  |  |
| 50963 Hollow Jet nozzle 130 |  |  |  |

## HOLLOW JET NOZZLES

Imposing fountains up to 80 metres in height are shot high into the sky by OASE Hollow Jet nozzles.

The special nozzles for impressive fountain heights work independently of the water level, and with flow straightener. Thanks to these features and the precise manufacturing of the ring slot of the nozzle, a stable fountain jet is ensured at all times.

In comparison to full-jet nozzles, the sophisticated design of the Hollow Jet nozzle allows for a significant reduction of water demand (also referred to as volume flow).

### Product characteristics at a glance

- For fountain heights of up to 80 m
- Wind-stable high jet
- Water-level independent
- Significantly reduced water demand compared to full-jet nozzles
- With flow director

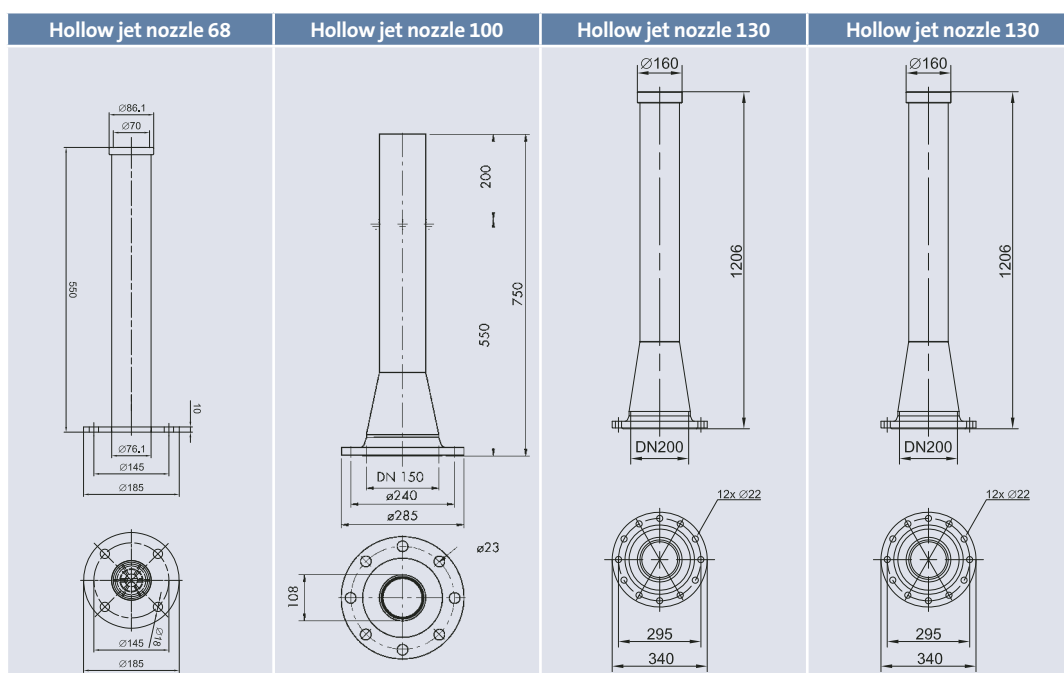


50966  
Hollow jet nozzle 68

50973  
Hollow jet nozzle 100

55350 / 50963  
Hollow jet nozzle 130

The Hollow jet nozzle 130 (50963) consists of a higher quality of stainless steel so that this nozzle is suited for salt water.



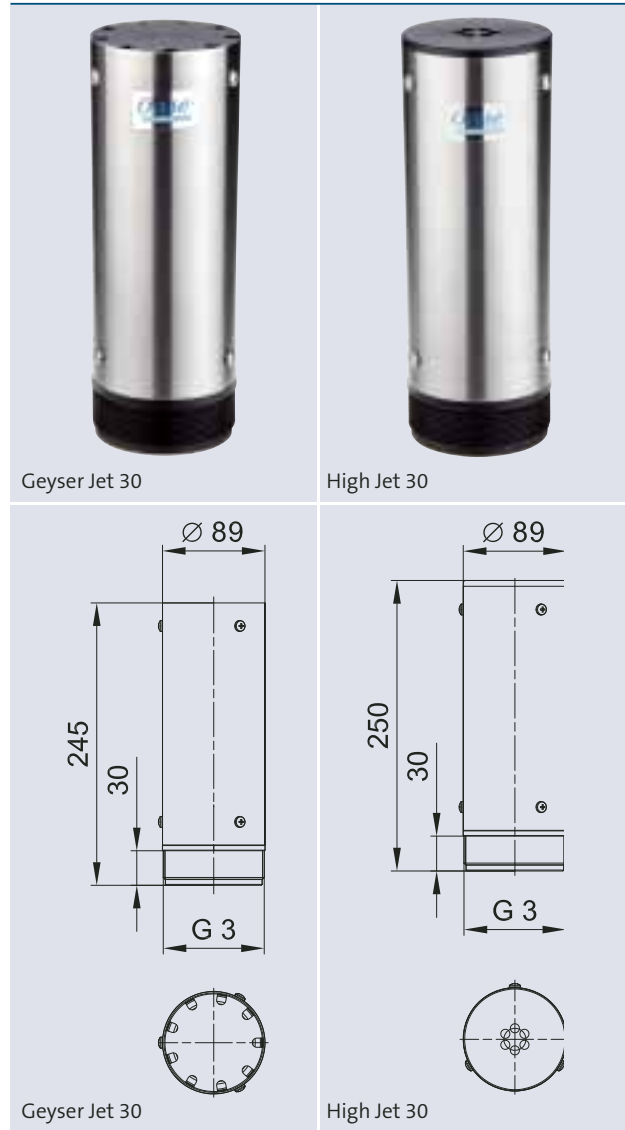
|                           | Hollow jet nozzle 68 |      | Hollow jet nozzle 100               |      | Hollow jet nozzle 130                            |      | Hollow jet nozzle 130 |      |
|---------------------------|----------------------|------|-------------------------------------|------|--|------|-----------------------|------|
| Dimensions (Ø x H) [mm]   | 80 x 425             |      | 285 x 750                           |      | 320 x 1200                                       |      | 320 x 1200            |      |
| Ø Hollow Jet [mm]         | 70                   |      | 100                                 |      | 130  |      | 130                   |      |
| Water film thickness [mm] | 3.5                  |      | 4.0                                 |      | 10   |      | 10                    |      |
| Fountain height           | DWB                  | DDB  | DWB                                 | DDB  | DWB  | DDB  | DWB                   | DDB  |
|                           | l/min                | bar  | l/min                               | bar  | l/min  | bar  | l/min                 | bar  |
| 5 [m]                     | 449                  | 0.61 |                                     |      |  |      |                       |      |
| 6 [m]                     | 493                  | 0.72 |                                     |      |  |      |                       |      |
| 7 [m]                     | 533                  | 0.87 |                                     |      |  |      |                       |      |
| 8 [m]                     | 570                  | 1.00 |                                     |      |  |      |                       |      |
| 9 [m]                     | 605                  | 1.12 |                                     |      |  |      |                       |      |
| 10 [m]                    | 639                  | 1.26 |                                     |      |  |      |                       |      |
| 12 [m]                    | 701                  | 1.53 |                                     |      |  |      |                       |      |
| 14 [m]                    | 759                  | 1.80 |                                     |      |  |      |                       |      |
| 16 [m]                    | 813                  | 2.07 |                                     |      |  |      |                       |      |
| 18 [m]                    | 864                  | 2.35 |                                     |      |  |      |                       |      |
| 20 [m]                    | 912                  | 2.64 | 1390                                | 2.18 |  |      |                       |      |
| 22 [m]                    | 959                  | 2.93 | 1475                                | 2.45 |  |      |                       |      |
| 24 [m]                    | 1003                 | 3.22 | 1561                                | 2.71 |  |      |                       |      |
| 25 [m]                    |                      |      | 1600                                | 2.85 |  |      |                       |      |
| 30 [m]                    |                      |      | 1820                                | 3.60 |  |      |                       |      |
| 35 [m]                    |                      |      | 1985                                | 4.25 |  |      |                       |      |
| 40 [m]                    |                      |      | 2235                                | 5.80 | 6828   | 5.4  | 6828                  | 5.4  |
| 45 [m]                    |                      |      | 2600                                | 7.20 | 7290   | 6.1  | 7290                  | 6.1  |
| 50 [m]                    |                      |      | 2660                                | 7.70 | 7735   | 6.9  | 7735                  | 6.9  |
| 55 [m]                    |                      |      |                                     |      | 8165   | 7.7  | 8165                  | 7.7  |
| 60 [m]                    |                      |      |                                     |      | 8583   | 8.5  | 8583                  | 8.5  |
| 65 [m]                    |                      |      |                                     |      | 8990   | 9.3  | 8990                  | 9.3  |
| 70 [m]                    |                      |      |                                     |      | 9388   | 10.2 | 9388                  | 10.2 |
| 75 [m]                    |                      |      |                                     |      | 9778   | 11.0 | 9778                  | 11.0 |
| 80 [m]                    |                      |      |                                     |      | 10160  | 11.9 | 10160                 | 11.9 |
| Material                  | Stainless steel      |      | Stainless steel 1.4571 (AISI 316Ti) |      | Stainless steel 1.4301 + 1.4571 (AISI 304/316Ti) |      | V 4 A                 |      |
| Weight [kg]               | 5.0                  |      | 33.0                                |      | 76.0   |      | 76.0                  |      |
| Order no.                 | 50966                |      | 50973                               |      | 55350  |      | 50963                 |      |





Geysers Jet 30

High Jet 30



Geysers Jet 30

High Jet 30

Geysers Jet 30

High Jet 30

|                | Fresh Water | Pool Water | Sea Water | 220-240 V | 400 V | 110-120 V | 50 Hz | 60 Hz | 12 V AC | 24 V DC | DMX | DMX/RDM | Plug and Spray |
|----------------|-------------|------------|-----------|-----------|-------|-----------|-------|-------|---------|---------|-----|---------|----------------|
| High Jet 30    | ✓           | ✓          | ✓         | ✓         | ✓     | ✓         | ✓     | ✓     | ✓       | ✓       | ✓   | ✓       | ✓              |
| Geysers Jet 30 | ✓           | ✓          | ✓         | ✓         | ✓     | ✓         | ✓     | ✓     | ✓       | ✓       | ✓   | ✓       | ✓              |

## HIGH JET / GEYSER JET

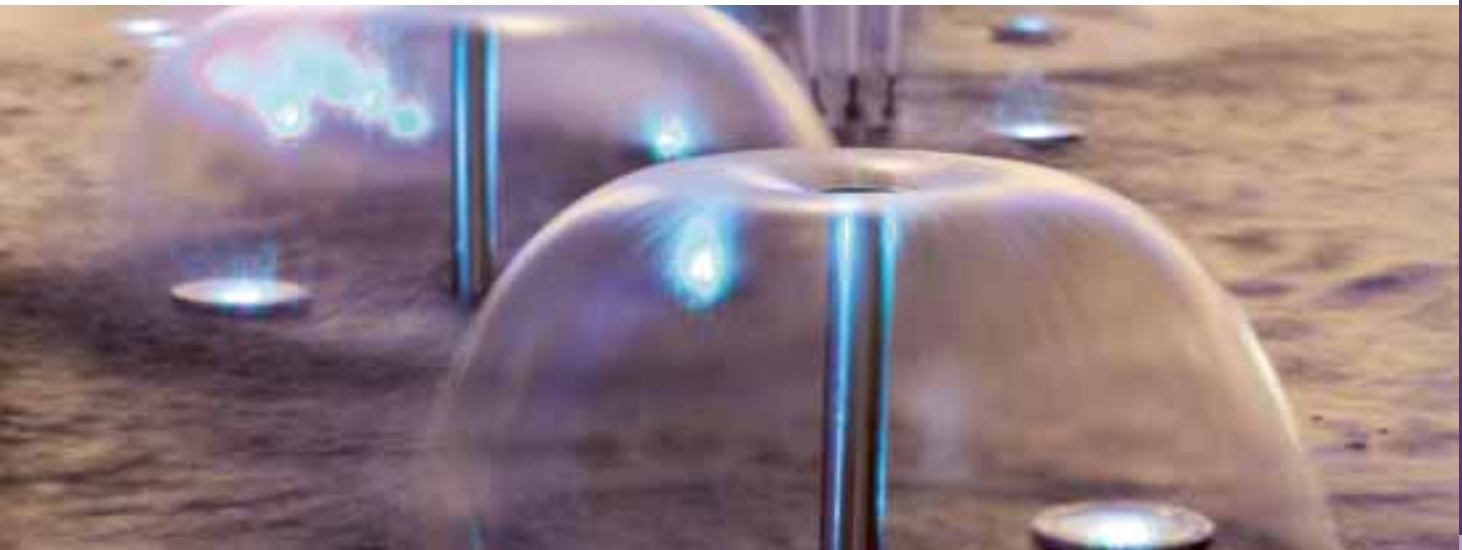
These nozzles generate one water jet that is stable in wind.

The High Jet and Geysers Jet are water-level independent with a lightweight design and usually used on the floating fountains.

### Product characteristics at a glance

- Water pattern as one water jet
- Water-level independent
- Modern stainless steel look

|                          |     | Geysers Jet 30  |      | High Jet 30     |      |
|--------------------------|-----|-----------------|------|-----------------|------|
| Dimensions (ø x H mm)    |     | 89 x 245        |      | 89 x 250        |      |
| Fountain height          |     | DWB             | DDB  | DWB             | DDB  |
|                          |     | l/min           | bar  | l/min           | bar  |
| 5.0                      | [m] | 347             | 0.81 |                 |      |
| 6.0                      | [m] | 381             | 0.98 |                 |      |
| 7.0                      | [m] | 411             | 1.14 |                 |      |
| 8.0                      | [m] | 440             | 1.31 | 226             | 1.15 |
| 9.0                      | [m] | 466             | 1.48 | 240             | 1.29 |
| 10.0                     | [m] | 492             | 1.65 | 253             | 1.44 |
| 11.0                     | [m] | 515             | 1.82 | 266             | 1.59 |
| 12.0                     | [m] | 539             | 1.99 | 278             | 1.74 |
| 13.0                     | [m] |                 |      | 289             | 1.89 |
| 14.0                     | [m] |                 |      | 299             | 2.04 |
| 15.0                     | [m] |                 |      | 310             | 2.19 |
| 16.0                     | [m] |                 |      | 320             | 2.35 |
| Material – casing tube   |     | Stainless steel |      | Stainless steel |      |
| Material – nozzle insert |     | POM             |      | POM             |      |
| Weight [kg]              |     | 1.4             |      | 1.4             |      |
| Order no.                |     | 50377           |      | 50375           |      |



| Lava | Fresh Water | Pool Water | Sea Water | 220-240 V | 400 V | 110-120 V | 50 Hz | 60 Hz | 12 V AC | 24 V DC | DMX | DMX/RDM | Plug and Spray |
|------|-------------|------------|-----------|-----------|-------|-----------|-------|-------|---------|---------|-----|---------|----------------|
|      |             |            |           |           |       |           |       |       |         |         |     |         |                |

## LAVA 25-5 E TO 60-10 E

Water bells are the fountain effect producing the least noise. The relaxing sound of splashing water is particularly effective in water gardens, reception halls, or outdoor pools that are protected from wind.

The Lava bell forms a closed water veil that can be attractively staged with underwater illumination.

### Product characteristics at a glance

- Transparent water pattern
- Adjustable bell diameter
- Water-level independent
- Low-noise operation
- Modern stainless steel look



| Accessories (must be ordered separately) |  | Order no.    |                                   |      | Lava 25-5 E  | Lava 30-10 E | Lava 45-10 E | Lava 60-10 E |              |
|--|--|--------------|-----------------------------------|------|--------------|--------------|--------------|--------------|--------------|
| Sleeve 10 silver (see page 244)          |  | <b>51018</b> | Dimensions (Ø x H mm)             |      | 58 x 290     | 80 x 338     | 80 x 488     | 80 x 636     |              |
| Sleeve 15 silver (see page 244)          |  | <b>51019</b> | Fountain diameter                 |      | DWB          | DDB          | DWB          | DDB          |              |
| Reducing sleeve 15 x 10 (see page 245)   |  | <b>51032</b> |                                   |      | l/min        | bar          | l/min        | bar          |              |
| Reducing sleeve 20 x 15 (see page 245)   |  | <b>51030</b> | 200                               | [mm] | 17           | 0.09         |              |              |              |
| Adapter G 10 / NPT 10 (see page 244)     |  | <b>51026</b> | 300                               | [mm] | 21           | 0.11         | 35           | 0.11         |              |
|  |  |              | 400                               | [mm] | 25           | 0.14         | 43           | 0.13         |              |
|  |  |              | 500                               | [mm] | 29           | 0.17         | 51           | 0.16         |              |
|  |  |              | 600                               | [mm] | 33           | 0.21         | 59           | 0.20         |              |
|  |  |              | 700                               | [mm] |              |              | 67           | 0.25         |              |
|  |  |              | 900                               | [mm] |              |              | 75           | 0.32         |              |
|  |  |              | 1100                              | [mm] |              |              |              | 83           |              |
|  |  |              | 1300                              | [mm] |              |              |              | 0.40         |              |
| Material                                 |  |              | Stainless steel 1.4301 (AISI 304) |      |              |              |              |              |              |
| Weight                                   |  |              | [kg]                              | 0.6  |              | 1.3          |              | 1.6          |              |
| Order no.                                |  |              | <b>50884</b>                      |      | <b>50889</b> |              | <b>50890</b> |              | <b>50891</b> |



Water sphere

|                  | Fresh Water | Pool Water | Sea Water | 220-240 V | 400 V | 110-120 V | 50 Hz | 60 Hz | 12 V AC | 24 V DC | DMX | DMX/RDM | Plug and Spray |
|------------------|-------------|------------|-----------|-----------|-------|-----------|-------|-------|---------|---------|-----|---------|----------------|
| Water sphere     | ✓           | ✓          | ✓         | ✓         | ✓     | ✓         | ✓     | ✓     | ✓       | ✓       | ✓   | ✓       | ✓              |
| Water hemisphere | ✓           | ✓          | ✓         | ✓         | ✓     | ✓         | ✓     | ✓     | ✓       | ✓       | ✓   | ✓       | ✓              |

## WATER SPHERES 900/37 TO 6000/450 E

## WATER HEMISPHERES H 900/25 TO H 6000/248 E



Water hemisphere

The artistic water pattern that is generated by the sphere effect nozzles requires a lot of space in order to unfold its enchanting effect. It lends any location a very special attractive force, even from a distance.

### Product characteristics at a glance

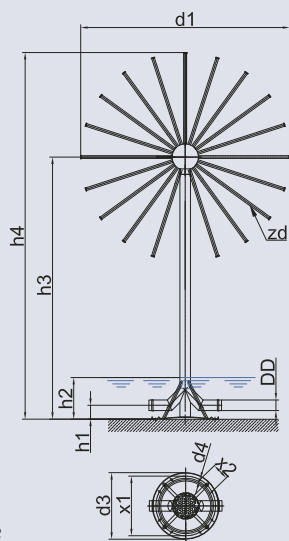
- Sculptural, amazing water pattern
- Decorative stainless steel sculpture
- Extensively wind-stable
- Water-level independent

The fountain attachments are primarily made of stainless steel which makes them attractive sculptures even if they are not spraying water.

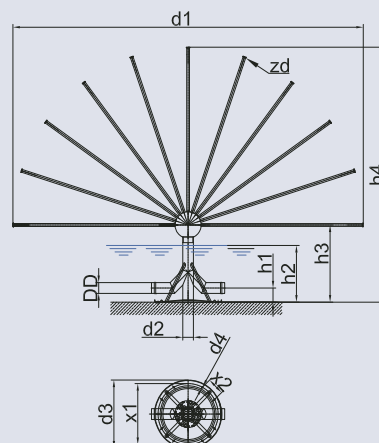
However, their special flair unfolds once the fine water veil escaping from the uniformly arranged nozzles converges to form a gentle sphere.

Depending on size the spheres consist of a different number of nozzles. Operation of the spheres and hemispheres is even possible in strong wind in spite of the relatively fine water veil.





Water sphere



Water hemisphere

| Water hemisphere      | H 900/25 E                                 | H 1200/49 E | H 1500/73 E | H 2500/73 E | H 3500/210 E | H 6000/248 E |
|-----------------------|--|-------------|-------------|-------------|--------------|--------------|
| Dimensions (ØxH) [mm] | 900 x 950                                  | 1200 x 1100 | 1500 x 1250 | 2500 x 1850 | 3500 x 2350  | 6000 x 3650  |
| zd [pieces]           | 25   | 49          | 73          | 73          | 210          | 248          |
| DWB [l/min]           | 250  | 490         | 730         | 730         | 2310         | 3720         |
| DDB [bar]             | 0,9  | 0,9         | 1,0         | 1,1         | 1,3          | 1,5          |
| MBD [mm]              | 1500                                       | 2000        | 2500        | 3500        | 5000         | 9000         |
| DD [mm]               | 1 x DN 65                                  | 1 x DN 65   | 1 x DN 65   | 1 x DN 65   | 2 x DN 80    | 3 x DN 100   |
| d1 [mm]               | 900  | 1200        | 1500        | 2500        | 3500         | 6000         |
| d2 [mm]               | 76   | 76          | 76          | 76          | 160          | 220          |
| d3 [mm]               | 475  | 475         | 475         | 475         | 1000         | 1000         |
| d4 [mm]               | 12   | 12          | 12          | 12          | 22           | 22           |
| h1 [mm]               | 100  | 100         | 100         | 100         | 100          | 125          |
| h2 [mm]               | 300  | 300         | 300         | 400         | 500          | 500          |
| h3 [mm]               | 500  | 500         | 500         | 600         | 600          | 650          |
| h4 [mm]               | 950  | 1100        | 1250        | 1850        | 2350         | 3650         |
| x1 [mm]               | 430  | 430         | 430         | 430         | 900          | 900          |
| x2 [mm]               | 123  | 123         | 123         | 123         | 200          | 200          |
| Material              | Tombac / stainless steel 1.4301 (AISI 304) |             |             |             |              |              |
| Weight [kg]           | 25   | 42          | 65          | 100         | 650          | 1800         |
| Order no.             | 50897                                      | 50898       | 50899       | 51762       | 51763        | 51764        |
| Water sphere          | 900/37 E                                   | 1200/79 E   | 1500/127 E  | 2500/127 E  | 3500/380 E   | 6000/450 E   |
| Dimensions (ØxH) [mm] | 900 x 1800                                 | 1200 x 2200 | 1500 x 2600 | 2500 x 3600 | 3500 x 5850  | 6000 x 9600  |
| zd [pieces]           | 37   | 79          | 127         | 127         | 380          | 450          |
| DWB [l/min]           | 370  | 790         | 1270        | 1270        | 4180         | 6750         |
| DDB [bar]             | 1,0  | 1,0         | 1,1         | 1,2         | 1,6          | 2,0          |
| MBD [mm]              | 2000                                       | 2500        | 3000        | 4500        | 6000         | 10000        |
| DD [mm]               | 1 x DN 65                                  | 1 x DN 65   | 2 x DN 65   | 2 x DN 65   | 4 x DN 65    | 6 x DN 100   |
| d1 [mm]               | 900  | 1200        | 1500        | 2500        | 3500         | 6000         |
| d2 [mm]               | 76   | 76          | 76          | 76          | 160          | 220          |
| d3 [mm]               | 475  | 475         | 475         | 475         | 1000         | 1500         |
| d4 [mm]               | 12   | 12          | 12          | 12          | 22           | 26           |
| h1 [mm]               | 100  | 100         | 100         | 100         | 100          | 125          |
| h2 [mm]               | 300  | 300         | 300         | 400         | 500          | 500          |
| h3 [mm]               | 1350                                       | 1600        | 1850        | 2350        | 4100         | 6600         |
| h4 [mm]               | 1800                                       | 2200        | 2600        | 3600        | 5850         | 9600         |
| x1 [mm]               | 430  | 430         | 430         | 430         | 900          | 1400         |
| x2 [mm]               | 123  | 123         | 123         | 123         | 200          | 250          |
| Material              | Tombac / stainless steel 1.4301 (AISI 304) |             |             |             |              |              |
| Weight [kg]           | 32   | 56          | 100         | 160         | 1100         | 3100         |
| Order no.             | 50894                                      | 50895       | 50896       | 51759       | 51760        | 51761        |



Gushing nozzle

|                | Fresh Water | Pool Water | Sea Water | 220-240 V | 400 V | 110-120 V | 50 Hz | 60 Hz | 12 V AC | 24 V DC | DMX | DMX/RDM | Plug and Spray |
|----------------|-------------|------------|-----------|-----------|-------|-----------|-------|-------|---------|---------|-----|---------|----------------|
| Gushing nozzle | ✓           | ✓          | ✓         | ✓         | ✓     | ✓         | ✓     | ✓     | ✓       | ✓       | ✓   | ✓       | ✓              |

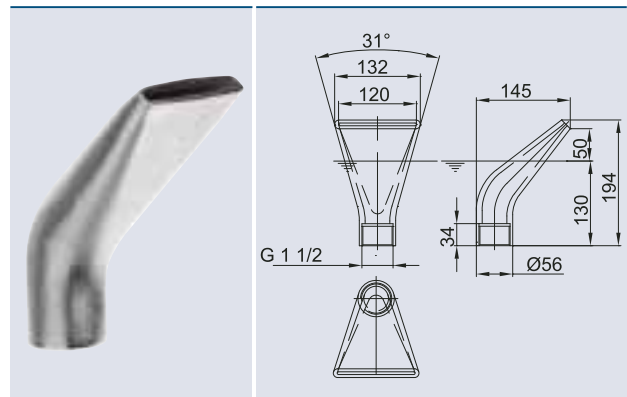
## GUSHING NOZZLE 115-15 SILVER

Whether as single nozzle or as group arranged around a central nozzle – the gushing nozzle generates a full water pattern of impressive presence.

The gushing nozzle spouts a fan-shaped water surge that is mostly closed, with a thickness of 6 mm and a radiating angle of approximately 30°.

### Product characteristics at a glance

- Striking water pattern
- Extensively wind-stable
- Water-level independent
- Durable chromed and nickel plated brass



### Gushing nozzle 115-15 Silver

| Dimensions (L x W x H) [mm] | 132 x 145 x 194     |      |          |       |
|-----------------------------|---------------------|------|----------|-------|
| Parabola width PW           | PH                  | SPB  | DWB      | DDB   |
|                             | [m]                 | [m]  | [L/min.] | [bar] |
| 0.50 [m]                    | 0.10                | 0.25 | 94       | 0.04  |
| 0.75 [m]                    | 0.15                | 0.33 | 112      | 0.06  |
| 1.00 [m]                    | 0.20                | 0.42 | 131      | 0.08  |
| 1.25 [m]                    | 0.26                | 0.50 | 150      | 0.10  |
| 1.50 [m]                    | 0.33                | 0.58 | 168      | 0.12  |
| 1.75 [m]                    | 0.40                | 0.67 | 187      | 0.14  |
| 2.00 [m]                    | 0.48                | 0.75 | 205      | 0.15  |
| 2.50 [m]                    | 0.62                | 0.92 | 243      | 0.19  |
| 3.00 [m]                    | 0.77                | 1.08 | 280      | 0.23  |
| 3.50 [m]                    | 0.92                | 1.25 | 317      | 0.27  |
| 4.00 [m]                    | 1.06                | 1.42 | 354      | 0.31  |
| 4.50 [m]                    | 1.21                | 1.58 | 392      | 0.34  |
| Material                    | Double coated brass |      |          |       |
| Weight [kg]                 | 2.5                 |      |          |       |
| Order no.                   | 50767               |      |          |       |

| Accessories (must be ordered separately)   | Order no. |
|--|-----------|
| Swivel connection 10 silver (see page 244) | 51015     |
| Swivel connection 15 silver (see page 244) | 51016     |
| Sleeve 10 silver (see page 244)            | 51018     |
| Sleeve 15 silver (see page 244)            | 51019     |
| Swivel ball joint 10 (see page 245)        | 51165     |
| Adapter G 10 / NPT 10 (see page 244)       | 51026     |
| Adapter G 15 / NPT 15 (see page 244)       | 51027     |
| Reducing sleeve 15 x 10 (see page 245)     | 51032     |
| Reducing sleeve 20 x 15 (see page 245)     | 51030     |
| Flow Valve 10 (see page 245)               | 51033     |



Fan Jet



|         | Fresh Water | Pool Water | Sea Water | 220-240 V | 400 V | 110-120 V | 50 Hz | 60 Hz | 12 V AC | 24 V DC | DMX | DMX/RDM | Plug and Spray |
|---------|-------------|------------|-----------|-----------|-------|-----------|-------|-------|---------|---------|-----|---------|----------------|
| Fan Jet |             |            |           |           |       |           |       |       |         |         |     |         |                |

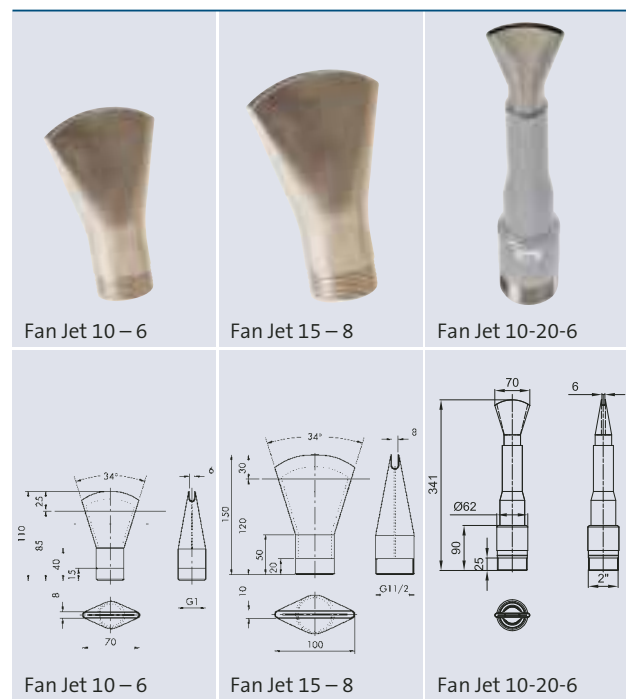
## FAN JET 10-8, 15-8, 10-20-6

The water veil generated by these nozzles not only has a bizarre beauty, it is also extremely practical: It is particularly well suited to conceal exposed technology.

Depending on the installation the fan nozzles generate either a vertically ascending water veil, or a diagonally spouting water veil of 6 or 8 mm in thickness. Thanks to its large surface area the attractive water pattern can conceal a foundation base, or exposed pipe and pump equipment from the eyes of observers. The nozzles work independently of the water level and require a throttle valve to regulate the water pattern.

### Product characteristics at a glance

- 6 mm or 8 mm thick, fan-shaped water gushing effect
- Water-level independent
- Modern stainless steel look
- Suitable for Multi Directional Drive II / DMX / 02 (50524)



| Accessories (must be ordered separately) | Order no.    |
|--|--------------|
| Swivel connection 10 silver (s. p. 244)  | <b>51015</b> |
| Swivel connection 15 silver (s. p. 244)  | <b>51016</b> |
| Sleeve 10 silver (see page 244)          | <b>51018</b> |
| Sleeve 15 silver (see page 244)          | <b>51019</b> |
| Swivel ball joint 10 (see page 245)      | <b>51165</b> |
| Adapter G 10 / NPT 10 (s. p. 244)        | <b>51026</b> |
| Adapter G 15 / NPT 15 (s. p. 244)        | <b>51027</b> |
| Reducing sleeve 15 x 10 (s. p. 245)      | <b>51032</b> |
| Reducing sleeve 20 x 15 (s. p. 245)      | <b>51030</b> |
| Flow Valve 10 (see page 245)             | <b>51033</b> |

| Fan Jet                     | Fan Jet 10 – 6                      |         |       | Fan Jet 15 – 8 |         |       | Fan Jet 10-20-6 Silver                         |         |       |      |
|-----------------------------|-------------------------------------|---------|-------|----------------|---------|-------|--|---------|-------|------|
| Dimensions (L x W x H) [mm] | 110 x 70 x 34                       |         |       | 150 x 100 x 49 |         |       | 70 x 341                                       |         |       |      |
| Fountain height             | SPB                                 | DWB     | DDB   | SPB            | DWB     | DDB   | SPB  | DWB     | DDB   |      |
|                             | [m]                                 | [l/min] | [bar] | [m]            | [l/min] | [bar] | [m]  | [l/min] | [bar] |      |
| 0.25                        | [m]                                 | 0.60    | 70    | 0.04           |         |       |  |         |       |      |
| 0.50                        | [m]                                 | 1.00    | 94    | 0.06           | 1.40    | 143   | 0.06   |         |       |      |
| 0.75                        | [m]                                 | 1.50    | 116   | 0.11           | 1.80    | 174   | 0.09   |         |       |      |
| 1.00                        | [m]                                 | 2.00    | 134   | 0.13           | 2.80    | 200   | 0.11   | 2.00    | 134   | 0.13 |
| 1.25                        | [m]                                 | 2.80    | 150   | 0.16           | 3.40    | 223   | 0.14   |         |       |      |
| 1.50                        | [m]                                 | 3.00    | 165   | 0.19           | 4.00    | 244   | 0.17   | 3.00    | 165   | 0.19 |
| 1.75                        | [m]                                 | 3.80    | 179   | 0.23           | 5.00    | 264   | 0.20   |         |       |      |
| 2.00                        | [m]                                 |         |       |                | 5.50    | 282   | 0.25   | 4.10    | 195   | 0.27 |
| Material                    | Stainless steel 1.4571(AISI 316 Ti) |         |       |                |         |       | Stainless steel 1.4571/L4301 (AISI 316 Ti/304) |         |       |      |
| Weight [kg]                 | 0.25                                |         |       | 0.49           |         |       | 1.2  |         |       |      |
| Order no.                   | <b>53056</b>                        |         |       | <b>53047</b>   |         |       | <b>50524</b>                                   |         |       |      |





|                     | Fresh Water | Pool Water | Sea Water | 220-240 V | 400 V | 110-120 V | 50 Hz | 60 Hz | 12 V AC | 24 V DC | DMX | DMX/RDM | Plug and Spray |
|---------------------|-------------|------------|-----------|-----------|-------|-----------|-------|-------|---------|---------|-----|---------|----------------|
| Water Screen Nozzle | ✓           | ✓          | ✓*        | ✓         | ✓     | ✓         | ✓     | ✓     | ✓       | ✓       | ✓   | ✓       | ✓              |

\*Seawater product version on request

## WATER SCREEN NOZZLE

The Water Screen Nozzle generates a projection screen made of water to display. It can be used a variety of media including Video and Lasers for special events.

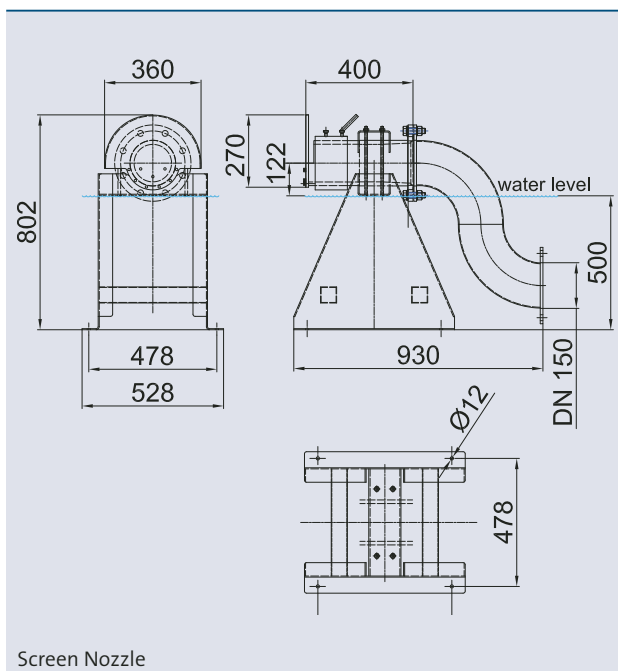
The screen is a complete semi-circle with 180° in different heights as a function of flow rate and pressure delivered by the pump system.

### Product characteristics at a glance

- Optimized nozzles for a 180° water screen
- Ideal for rear projection of videos and or lasers
- An extra flow regulation pipe is not necessary
- The gap of the nozzle defining the water film thickness can install individually



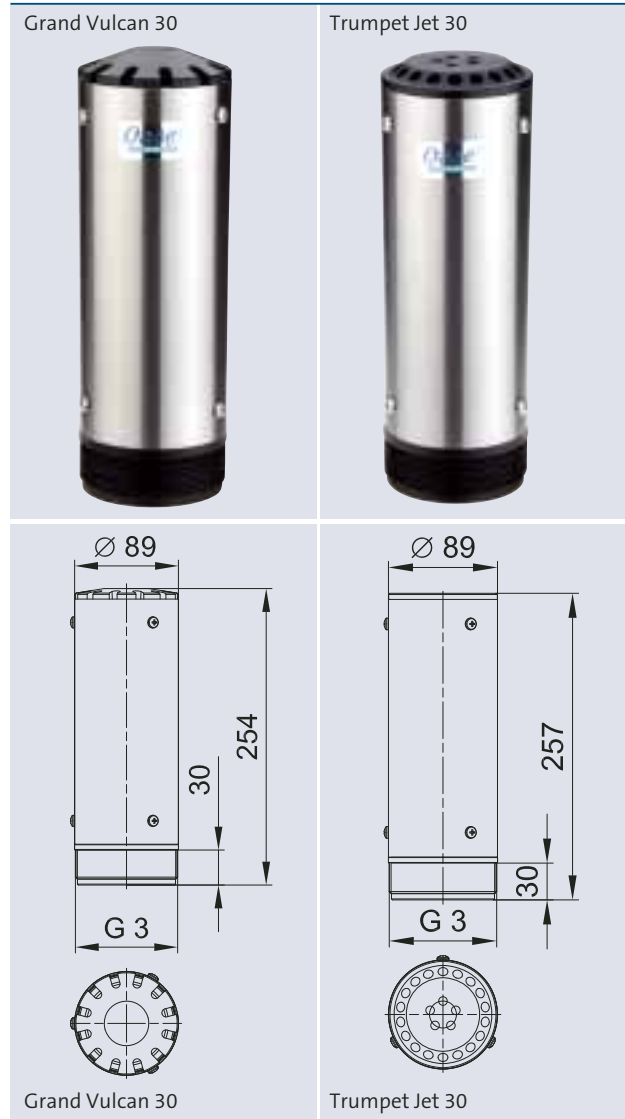
Screen Nozzle



The nozzle creates a filmy water screen. This qualifies for projection of Laser, Video, Slide and Gobo (Graphical optical blackout) type of illumination. Based on the law of physics of light, the position of the nozzle should always be between the viewer and projector.

Pump on request. Small Screen Nozzle 15 x 5 version on request.

|                        |         | Screen nozzle 30 x 10 | Screen nozzle 45 x 15 |
|------------------------|---------|-----------------------|-----------------------|
| Water Screen Dimension | [m]     | 30 x 10               | 45 x 15               |
| Dimensions (L x W x H) | [mm]    | 930 x 528 x 802       | 930 x 528 x 802       |
| DWB                    | [l/min] | 2500                  | 4000                  |
| DDB                    | [bar]   | 7                     | 12                    |
| Material               |         | Stainless steel       |                       |
| Weight with bracket    | [ap.kg] | 95                    | 95                    |
| <b>Order no.</b>       |         | <b>58970</b>          | <b>58970</b>          |



|                 | Fresh Water | Pool Water | Sea Water | 220-240 V | 400 V | 110-120 V | 50 Hz | 60 Hz | 12 V AC | 24 V DC | DMX | DMX/RDM | Plug and Spray |
|-----------------|-------------|------------|-----------|-----------|-------|-----------|-------|-------|---------|---------|-----|---------|----------------|
| Grand Vulcan 30 | ✓           | ✓          | ✓         | ✓         | ✓     | ✓         | ✓     | ✓     | ✓       | ✓       | ✓   | ✓       | ✓              |
| Trumpet Jet 30  | ✓           | ✓          | ✓         | ✓         | ✓     | ✓         | ✓     | ✓     | ✓       | ✓       | ✓   | ✓       | ✓              |

## GRAND VULCAN 30 / TRUMPET JET 30

The Grand Vulcan and Trumpet Jet are multi jet nozzles. The single jets are clear and relatively wind stable.

The single jets of the Grand Vulcan 30 are arranged in a circle. They create a calyx.

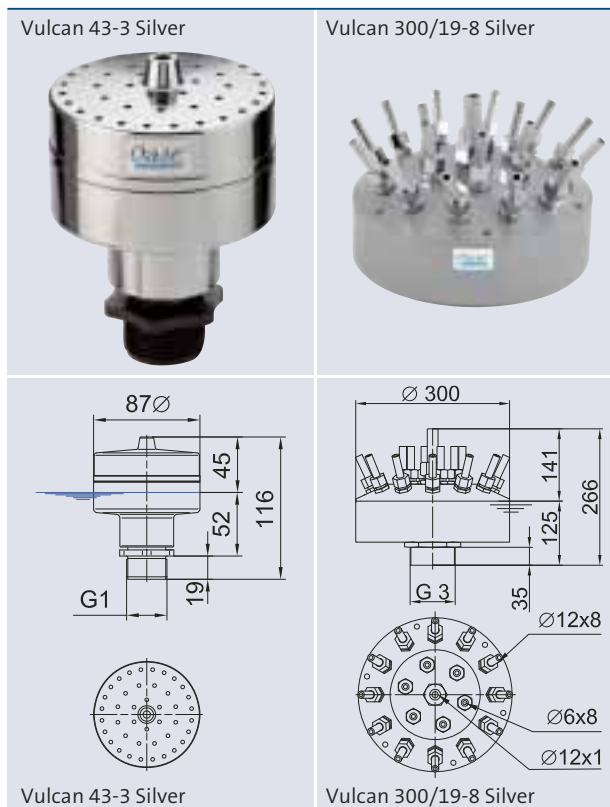
The water patten of the Trumpet Jet 30 looks like a calyx with a strong middle water jet.

### Product characteristics at a glance

- Multi jet nozzle
- Water-level independent
- Modern stainless steel look

|                          |     | Grand Vulcan 30 |      | Trumpet Jet 30  |      |
|--------------------------|-----|-----------------|------|-----------------|------|
| Dimensions (Ø x H mm)    |     | 89 x 254        |      | 89 x 257        |      |
| Fountain height          |     | DWB             | DDB  | DWB             | DDB  |
|                          |     | l/min           | bar  | l/min           | bar  |
| 3.00                     | [m] | 450             | 0.45 |                 |      |
| 3.50                     | [m] | 487             | 0.53 |                 |      |
| 4.00                     | [m] | 520             | 0.61 |                 |      |
| 4.50                     | [m] | 552             | 0.68 |                 |      |
| 5.00                     | [m] | 582             | 0.76 | 363             | 1.00 |
| 6.00                     | [m] | 638             | 0.92 | 397             | 1.20 |
| 7.00                     | [m] | 689             | 1.07 | 429             | 1.40 |
| 8.00                     | [m] | 737             | 1.23 | 459             | 1.68 |
| 9.00                     | [m] |                 |      | 487             | 1.85 |
| 10.00                    | [m] |                 |      | 513             | 2.05 |
| Material – casing tube   |     | Stainless steel |      | Stainless steel |      |
| Material – nozzle insert |     | POM             |      | POM             |      |
| Weight [kg]              |     | 1.6             |      | 1.4             |      |
| Order no.                |     | 50376           |      | 50378           |      |





|                 | Fresh Water | Pool Water | Sea Water | 220-240 V | 400 V | 110-120 V | 50 Hz | 60 Hz | 12 V AC | 24 V DC | DMX | DMX/RDM | Plug and Spray |
|-----------------|-------------|------------|-----------|-----------|-------|-----------|-------|-------|---------|---------|-----|---------|----------------|
| Vulcan 43-3     | ✓           | ✓          | ✓         | ✓         | ✓     | ✓         | ✓     | ✓     | ✓       | ✓       | ✓   | ✓       | ✓              |
| Vulcan 300/19-8 | ✓           | ✓          | ✓         | ✓         | ✓     | ✓         | ✓     | ✓     | ✓       | ✓       | ✓   | ✓       | ✓              |

## VULCAN 43-3 SILVER, 300/19-8 SILVER

Whether small spray fountain or large water features, Vulcan nozzles generate a bundle of jets from 0.5 to 15 metres in height that fall in multiple stages. In this configuration the individual jets remain clear and relatively stable in wind.

### Product characteristics at a glance

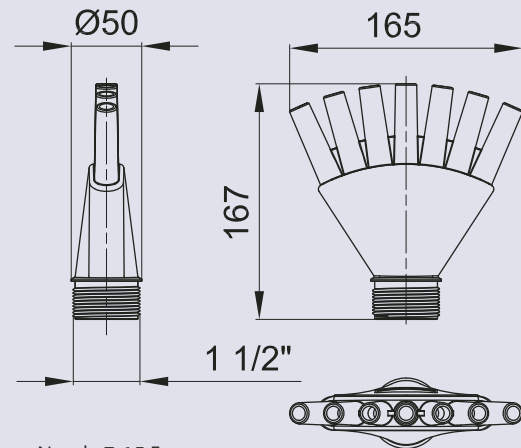
- Attractive multi-stage water pattern
- Precise full jets that are stable in wind
- Fountain height is continuously adjustable
- With Komet nozzles jet angles can be adjusted as well individually (Vulcan 300/19-8 Silver)
- Water-level independent
- Easy to clean

| Accessories (must be ordered separately)   | Order no. |
|--|-----------|
| Sleeve 10 silver (see page 244)            | 51018     |
| Sleeve 15 silver (see page 244)            | 51019     |
| Hexagon nippel 10 silver (see page 244)    | 51022     |
| Hexagon nippel 30 silver (see page 244)    | 51025     |
| Swivel connection 10 silver (see page 244) | 51015     |
| Adapter G 10 / NPT 10 (see page 244)       | 51026     |
| Adapter G 30 / NPT 30 (see page 244)       | 51029     |

|                       | Vulcan 43-3 Silver |       |      | Vulcan 300/19-8 Silver              |       |      |
|-----------------------|--------------------|-------|------|-------------------------------------|-------|------|
|                       | 87 x 116           |       |      | 300 x 256                           |       |      |
| Dimensions (Ø x H mm) | 87 x 116           |       |      | 300 x 256                           |       |      |
| Fountain height       | DSD                | DWB   | DDB  | DSD                                 | DWB   | DDB  |
|                       | m                  | l/min | bar  | m                                   | l/min | bar  |
| 0.50 [m]              | 0.40               | 42    | 0.10 |                                     |       |      |
| 0.75 [m]              | 0.50               | 50    | 0.15 |                                     |       |      |
| 1.00 [m]              | 0.65               | 60    | 0.20 |                                     |       |      |
| 1.50 [m]              | 0.80               | 76    | 0.30 |                                     |       |      |
| 2.00 [m]              | 1.10               | 90    | 0.40 |                                     |       |      |
| 2.50 [m]              | 1.30               | 102   | 0.50 |                                     |       |      |
| 3.00 [m]              | 1.50               | 112   | 0.60 | variab.                             | 339   | 0.38 |
| 3.50 [m]              | 1.70               | 121   | 0.76 | variab.                             | 368   | 0.44 |
| 4.00 [m]              | 2.00               | 130   | 0.88 | variab.                             | 394   | 0.50 |
| 5.00 [m]              |                    |       |      | variab.                             | 442   | 0.64 |
| 6.00 [m]              |                    |       |      | variab.                             | 485   | 0.77 |
| 7.00 [m]              |                    |       |      | variab.                             | 525   | 0.90 |
| 8.00 [m]              |                    |       |      | variab.                             | 562   | 1.03 |
| 9.00 [m]              |                    |       |      | variab.                             | 597   | 1.16 |
| 10.00 [m]             |                    |       |      | variab.                             | 630   | 1.29 |
| 11.00 [m]             |                    |       |      | variab.                             | 662   | 1.42 |
| 12.00 [m]             |                    |       |      | variab.                             | 692   | 1.56 |
| 13.00 [m]             |                    |       |      | variab.                             | 720   | 1.69 |
| 14.00 [m]             |                    |       |      | variab.                             | 749   | 1.82 |
| 15.00 [m]             |                    |       |      | variab.                             | 776   | 1.96 |
| Material              | Tombac             |       |      | Stainless steel Double Coated Brass |       |      |
| Weight [kg]           | 1.5                |       |      | 18.5                                |       |      |
| Order no.             | 50766              |       |      | 50977                               |       |      |



Finger Nozzle 7-15 E



Finger Nozzle 7-15 E

|                      | Fresh Water | Pool Water | Sea Water | 220-240 V | 400 V | 110-120 V | 50 Hz | 60 Hz | 12 V AC | 24 V DC | DMX | DMX/RDM | Plug and Spray |
|----------------------|-------------|------------|-----------|-----------|-------|-----------|-------|-------|---------|---------|-----|---------|----------------|
| Finger Nozzle 7-15 E | ✓           | ✓          | ✓         | ✓         | ✓     | ✓         | ✓     | ✓     | ✓       | ✓       | ✓   | ✓       | ✓              |

## FINGER NOZZLE 7-15 E

The Finger Nozzle 7-15 E generates seven clear single stream jets.

This stainless steel multi-jet nozzle is suitable for fresh water, pool water and sea water application. The water-level-independent and to a large extent wind stable water jets achieve a max. fountain height of 4 mtrs. Breathtaking and dynamic water patterns can be generated by combining the Finger Nozzle 7-15 E with the Multi Directional Drive II 3D/DMX/02 (51225).

### Product characteristics at a glance

- 7 jet-fountain nozzle
- 10 mm jet diameter
- Wind-stable full jet
- Water level-independent

| Accessories (must be ordered separately)   | Order no. |
|--|-----------|
| Swivel connection 15 silver (see page 244) | 51016     |
| Sleeve 15 silver (see page 244)            | 51019     |
| Adapter G 15 / NPT 15 (see page 244)       | 51027     |
| Reducing sleeve 15 x 10 (see page 245)     | 51032     |
| Reducing sleeve 20 x 15 (see page 245)     | 51030     |

| Finger Nozzle 7-15 E      |     |                |         |
|---------------------------|-----|----------------|---------|
| Dimensions (L x W x H mm) |     | 167 x 166 x 50 |         |
| Fountain height           |     | DSD            | DWB     |
|                           |     | [m]            | [l/min] |
|                           |     |                | [bar]   |
| 1.00                      | [m] | 2.70           | 150     |
| 2.00                      | [m] | 4.70           | 200     |
| 3.00                      | [m] | 5.20           | 250     |
| 4.00                      | [m] | 7.40           | 300     |

DSD = Nozzle spray diameter DWB = Nozzle water demand  
DDB = Nozzle pressure demand

| Finger Nozzle 7-15 E   |        |                                    |
|------------------------|--------|------------------------------------|
| Dimensions (L x H)     | [mm]   | 167 x 166 x 50                     |
| outlet orifice         | [mm]   | 7 x 10                             |
| inlet diameter         | [inch] | 1½                                 |
| Water jet height up to | [m]    | 4                                  |
| Material               |        | Stainless steel 1.4404 (AISI 316L) |
| Weight                 | [kg]   | 1.6                                |
| Order no.              |        | 51110                              |







|                 | Fresh Water | Pool Water | Sea Water | 220-240 V | 400 V | 110-120 V | 50 Hz | 60 Hz | 12 V AC | 24 V DC | DMX | DMX/RDM | Plug and Spray |
|-----------------|-------------|------------|-----------|-----------|-------|-----------|-------|-------|---------|---------|-----|---------|----------------|
| Rotating Nozzle |             |            |           |           |       |           |       |       |         |         |     |         |                |

## ROTATING NOZZLE 5-15E AND 5-30E

Gracefully dancing fountains optimally enliven any water landscape and reach heights of up to 10 metres.

Gentle rotating water patterns are generated by the recoil of the diagonally set nozzle pipes. With this rotating nozzle, 5 Comet nozzles that can be adjusted in all directions, rotate in a circle and creates a wide variety of wind-stable water pattern.

The ball bearing rotation mechanism ensures continuous trouble-free operation.

### Product characteristics at a glance

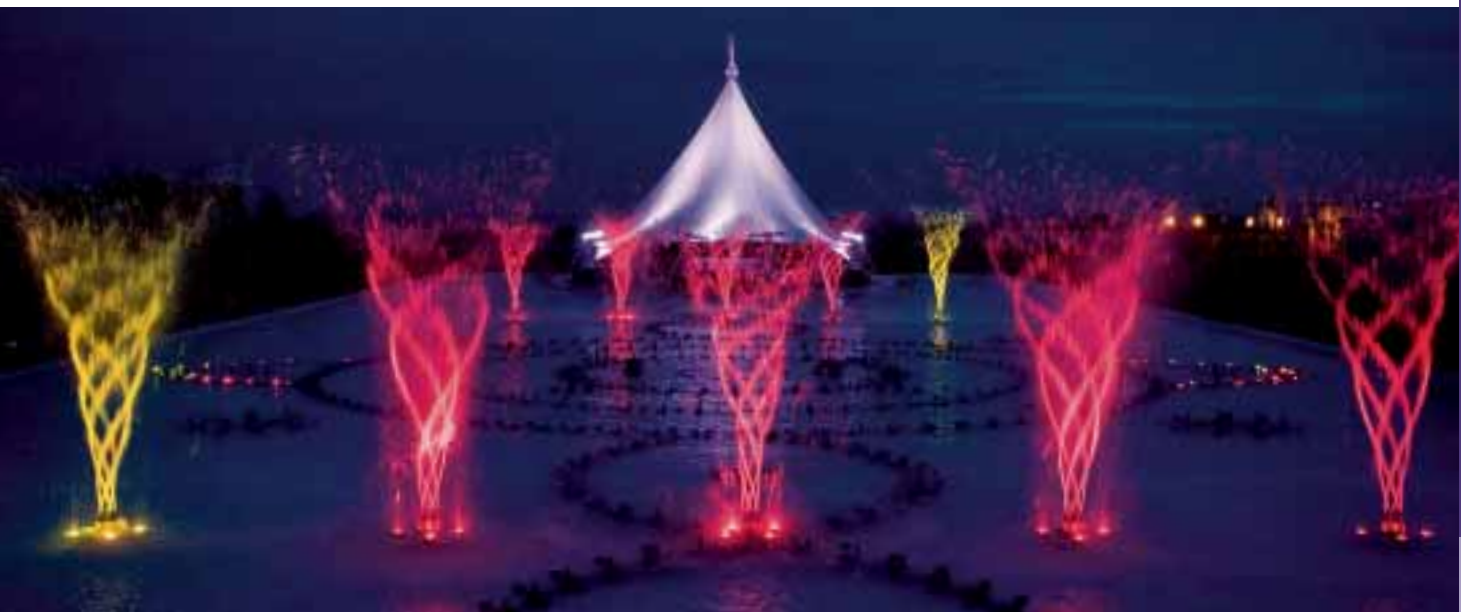
- Rotating screw-shaped water pattern
- Precise full-jets
- Water-level independent



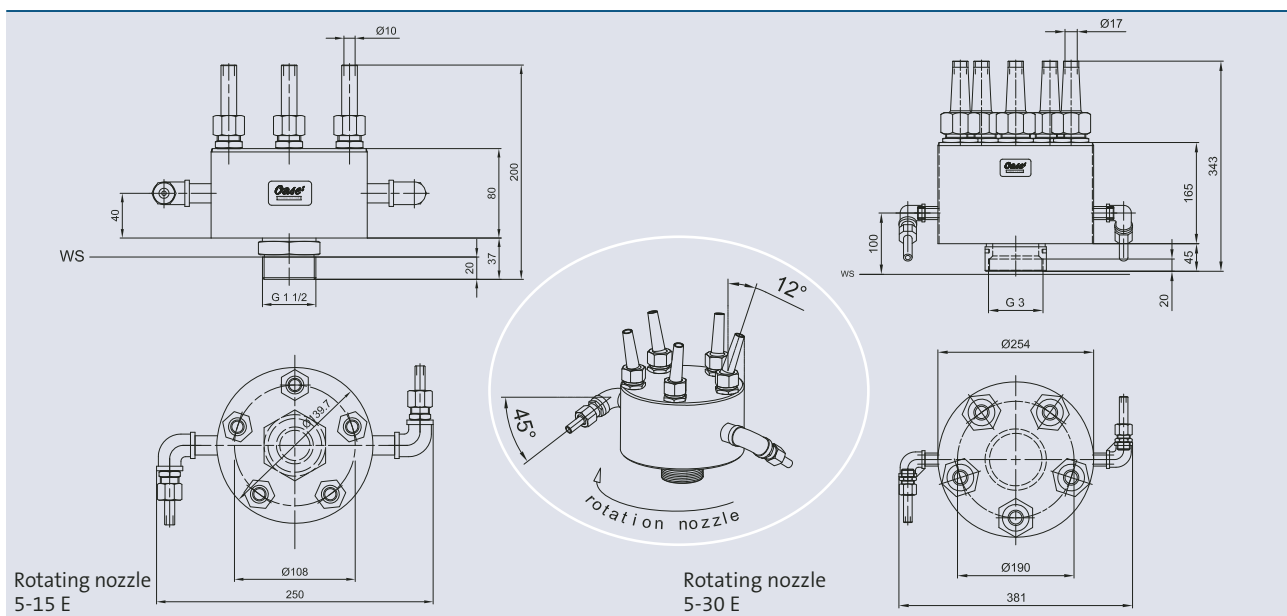
5-15 E



5-30 E



| Accessories (must be ordered separately) | Order no. |
|--|-----------|
| Hexagon nipple 30 silver (see page 244)  | 51025     |
| Adapter G 15 / NPT 15 (see page 244)     | 51027     |
| Adapter G 30 / NPT 30 (see page 244)     | 51029     |



| Rotating Nozzle 5-15 E      |                                       |               |           |  |
|-----------------------------|---------------------------------------|---------------|-----------|--|
| Dimensions (L x W x H) [mm] |                                       | 110 x 70 x 34 |           |  |
| Max. Fountain height        | SPB [m]                               | DWB [l/min]   | DDB [bar] |  |
| 1.00 [m]                    | 2.0                                   | 141           | 0.25      |  |
| 1.25 [m]                    | 2.4                                   | 158           | 0.31      |  |
| 1.50 [m]                    | 3.1                                   | 173           | 0.38      |  |
| 1.75 [m]                    | 3.5                                   | 187           | 0.44      |  |
| 2.00 [m]                    | 4.0                                   | 199           | 0.50      |  |
| 2.50 [m]                    | 4.4                                   | 223           | 0.63      |  |
| 3.00 [m]                    | 5.0                                   | 244           | 0.76      |  |
| 3.50 [m]                    | 5.6                                   | 264           | 0.89      |  |
| 4.00 [m]                    | 6.0                                   | 282           | 1.01      |  |
| Material                    | Stainless steel / Double coated brass |               |           |  |
| Weight [kg]                 | 2.88                                  |               |           |  |
| Order no.                   | 50967                                 |               |           |  |

| Rotating Nozzle 5-30 E      |                                       |                |           |  |
|-----------------------------|---------------------------------------|----------------|-----------|--|
| Dimensions (L x W x H) [mm] |                                       | 150 x 100 x 49 |           |  |
| Max. Fountain height        | SPB [m]                               | DWB [l/min]    | DDB [bar] |  |
| 1.00 [m]                    | var.                                  | 330            | 0.15      |  |
| 2.00 [m]                    | var.                                  | 500            | 0.30      |  |
| 3.00 [m]                    | var.                                  | 630            | 0.50      |  |
| 4.00 [m]                    | var.                                  | 740            | 0.60      |  |
| 5.00 [m]                    | var.                                  | 790            | 0.75      |  |
| 6.00 [m]                    | var.                                  | 875            | 0.90      |  |
| 7.00 [m]                    | var.                                  | 980            | 1.10      |  |
| 8.00 [m]                    | var.                                  | 1050           | 1.30      |  |
| 9.00 [m]                    | var.                                  | 1110           | 1.50      |  |
| 10.00 [m]                   | var.                                  | 1170           | 1.60      |  |
| Material                    | Stainless steel / Double coated brass |                |           |  |
| Weight [kg]                 | 17.5                                  |                |           |  |
| Order no.                   | 50473                                 |                |           |  |



|  | Fresh Water | Pool Water | Sea Water | 220-240 V | 400 V | 110-120 V | 50 Hz | 60 Hz | 12 V AC | 24 V DC | DMX | DMX/RDM | Plug and Spray |
|--|-------------|------------|-----------|-----------|-------|-----------|-------|-------|---------|---------|-----|---------|----------------|
| Schaumsprudler 35-10 E / 55-10 E / 55-15 E | ✓           | ✓          | ✓         | ✓         | ✓     | ✓         | ✓     | ✓     | ✓       | ✓       | ✓   | ✓       | ✓              |
| Schaumsprudler 75-20 Silver                | ✓           | ✓          | ✓         | ✓         | ✓     | ✓         | ✓     | ✓     | ✓       | ✓       | ✓   | ✓       | ✓              |

## SCHAUMSPRUDLER 35-10 E TO 75-20 SILVER

The lively bubbling water pattern generated by the foam effect nozzles is the optimal accessory for watercourse inlets, stepped pool installations, or fountain installations with a water reservoir at a lower level.

By mixing air with water, the pattern appears to be extremely high-volume. Nevertheless the nozzles actually have a low water requirement. The beautiful soft foam jet offers a strong contrast to its environment.

As opposed to Cascade and Geyser nozzles, Schaumsprudler nozzles work independently of the water level so that fluctuations in the water level do not affect the water pattern.

### Product characteristics at a glance

- High-contrast, lively water pattern
- Foam / spume effect
- Trouble-free continuous operation
- Offers oxygen enrichment
- Extensively wind-stable
- Water-level independent



35-10 E

55-10 E



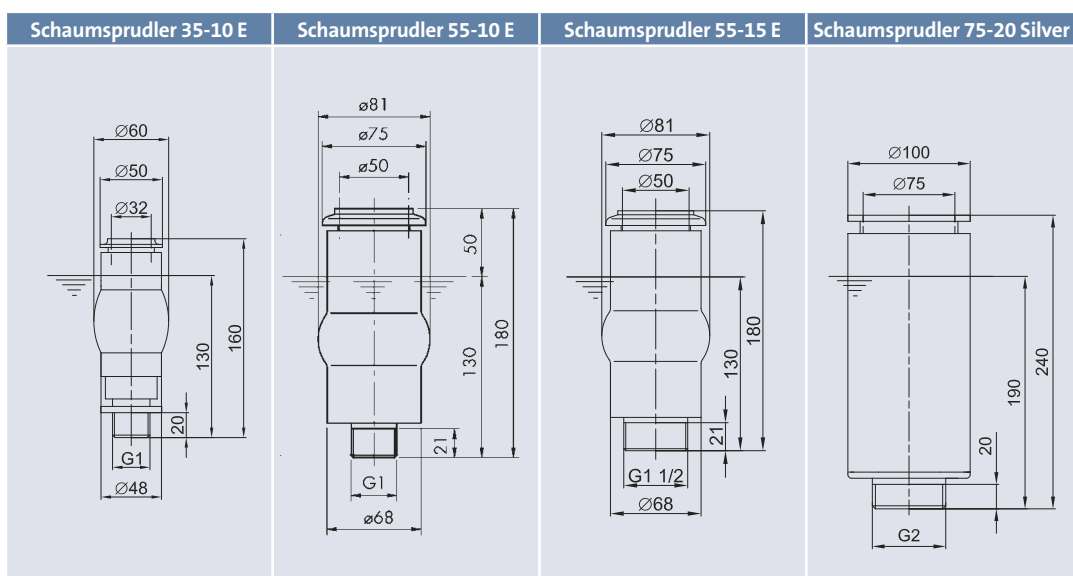
55-15 E

75-20 Silver



| Accessories (must be ordered separately)   | Order no.    |
|--|--------------|
| Swivel connection 10 silver (see page 244) | <b>51015</b> |
| Swivel connection 15 silver (see page 244) | <b>51016</b> |
| Swivel connection 20 silver (see page 244) | <b>51017</b> |
| Sleeve 10 silver (see page 244)            | <b>51018</b> |
| Sleeve 15 silver (see page 244)            | <b>51019</b> |
| Sleeve 20 silver (see page 244)            | <b>51020</b> |

| Accessories (must be ordered separately) | Order no.    |
|--|--------------|
| Adapter G 10 / NPT 10 (see page 244)     | <b>51026</b> |
| Adapter G 15 / NPT 15 (see page 244)     | <b>51027</b> |
| Adapter G 20 / NPT 20 (see page 244)     | <b>51028</b> |
| Reducing sleeve 15 x 10 (see page 245)   | <b>51032</b> |
| Reducing sleeve 20 x 15 (see page 245)   | <b>51030</b> |
| Swivel ball joint 10 (see page 245)      | <b>51165</b> |

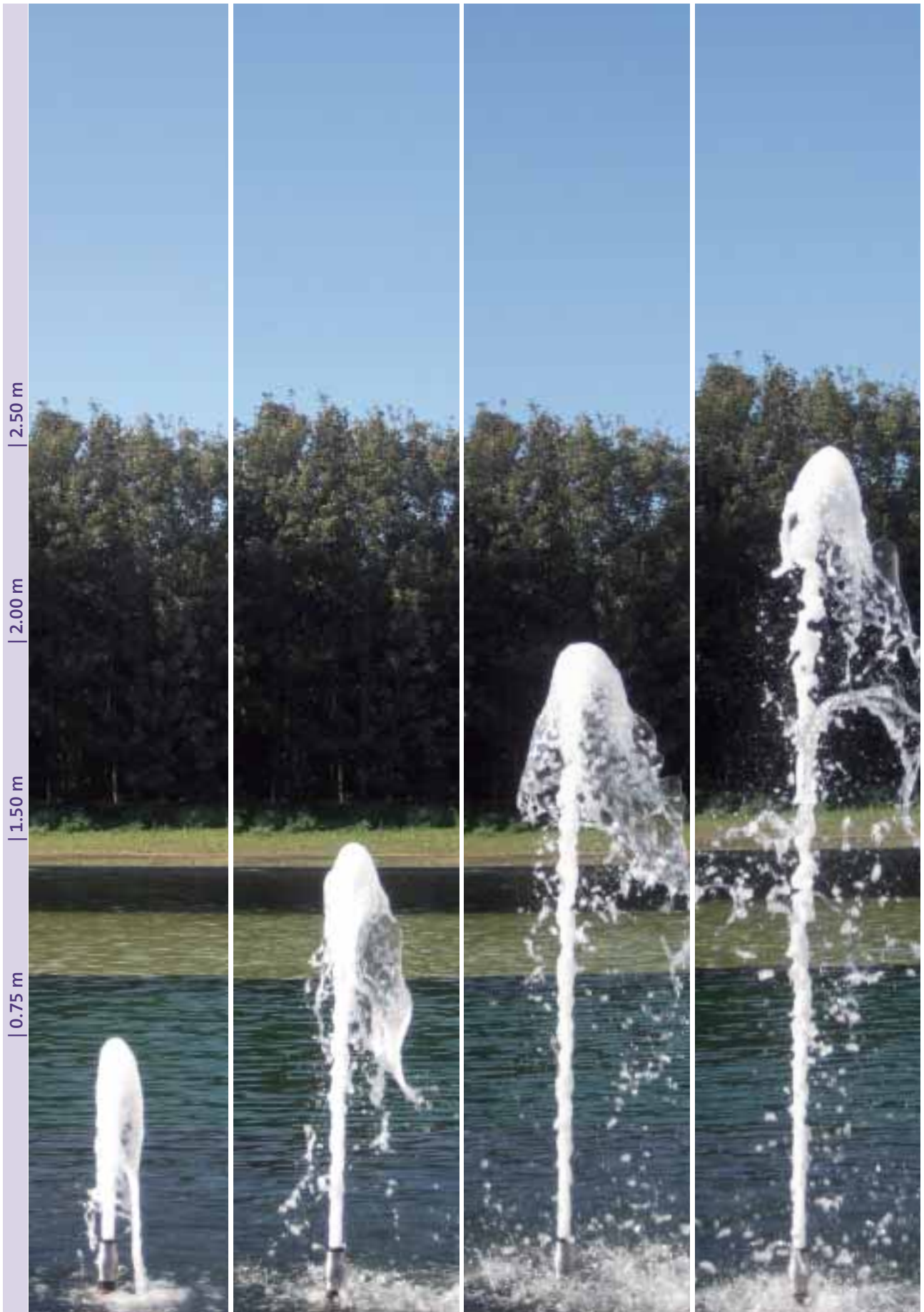


|                         |      | Schaumsprudler 35-10 E            |      | Schaumsprudler 55-10 E                      |      | Schaumsprudler 55-15 E |      | Schaumsprudler 75-20 Silver |      |
|-------------------------|------|-----------------------------------|------|---|------|------------------------|------|-----------------------------|------|
| Dimensions (ø x H) [mm] |      | 60 x 160                          |      | 81 x 180                                    |      | 81 x 180               |      | 100 x 240                   |      |
| Fountain height         |      | DWB                               | DDB  | DWB   | DDB  | DWB                    | DDB  | DWB                         | DDB  |
|                         |      | l/min                             | bar  | l/min                                       | bar  | l/min                  | bar  | l/min                       | bar  |
| 0.25                    | [m]  | 47                                | 0.10 | 60  | 0.11 |                        |      |                             |      |
| 0.50                    | [m]  | 55                                | 0.14 | 84  | 0.21 | 125                    | 0.11 |                             |      |
| 0.75                    | [m]  | 71                                | 0.22 | 108   | 0.32 | 151                    | 0.15 |                             |      |
| 1.00                    | [m]  | 80                                | 0.28 | 122   | 0.40 | 176                    | 0.19 | 328                         | 0.20 |
| 1.25                    | [m]  | 89                                | 0.34 | 134   | 0.49 | 198                    | 0.24 | 367                         | 0.24 |
| 1.50                    | [m]  | 97                                | 0.40 | 145   | 0.58 | 217                    | 0.28 | 401                         | 0.29 |
| 1.75                    | [m]  | 104                               | 0.46 | 156   | 0.66 | 235                    | 0.33 | 433                         | 0.34 |
| 2.00                    | [m]  | 111                               | 0.52 | 166   | 0.75 | 252                    | 0.38 | 463                         | 0.39 |
| 2.50                    | [m]  | 123                               | 0.65 | 184   | 0.92 | 282                    | 0.48 | 518                         | 0.49 |
| 3.00                    | [m]  |                                   |      | 200   | 1.09 | 310                    | 0.58 | 567                         | 0.58 |
| 3.50                    | [m]  |                                   |      | 216   | 1.27 | 335                    | 0.67 | 612                         | 0.68 |
| 4.00                    | [m]  |                                   |      |   |      | 359                    | 0.77 | 655                         | 0.78 |
| 4.50                    | [m]  |                                   |      |   |      | 381                    | 0.87 | 695                         | 0.87 |
| 5.00                    | [m]  |                                   |      |   |      | 402                    | 0.97 | 733                         | 0.97 |
| 6.00                    | [m]  |                                   |      |   |      | 441                    | 1.16 | 803                         | 1.17 |
| 7.00                    | [m]  |                                   |      |   |      | 477                    | 1.36 | 868                         | 1.33 |
| 8.00                    | [m]  |                                   |      |   |      |                        |      | 928                         | 1.56 |
| 9.00                    | [m]  |                                   |      |   |      |                        |      | 965                         | 1.75 |
| 10.00                   | [m]  |                                   |      |   |      |                        |      | 1039                        | 1.95 |
| Material                |      | Stainless steel 1.4301 (AISI 304) |      | Stainless steel 1.4571 (AISI 316Ti) / Brass |      |                        |      | Double coated brass         |      |
| Weight                  | [kg] | 0.5                               |      | 1.2   |      | 1.4                    |      | 4.3                         |      |
| Order no.               |      | <b>50984</b>                      |      | <b>50986</b>                                |      | <b>50987</b>           |      | <b>50768</b>                |      |

# SCHAUMSPRUDLER 35-10 E

NOZZLES

CLASSIC











|         | Fresh Water | Pool Water | Sea Water | 220-240 V | 400 V | 110-120 V | 50 Hz | 60 Hz | 12 V AC | 24 V DC | DMX | DMX/RDM | Plug and Spray |
|---------|-------------|------------|-----------|-----------|-------|-----------|-------|-------|---------|---------|-----|---------|----------------|
| Cascade |             |            |           |           |       |           |       |       |         |         |     |         |                |

## CASCADE 50 T TO CASCADE 130 T

These injector nozzles generate a lively full water pattern that changes depending on the water level and accentuates every public area.

Thanks to the injector effect, water and air are suctioned in, mixed intensively and accelerated into the air by the injector jet as an impressive soft flowing fountain. In this process a voluminous fountain that forms a point is generated with relatively low pump capacities.

The foam effect nozzles work depending on the water level; they generate a slender and higher water pattern if the normal water level is not reached. If the normal water level is exceeded

the water pattern is fuller and lower. This effect is particularly interesting when there are strong wave movements; then the fountains really start to dance. In installations with a different water level, non-return valves should be provided, otherwise the water level will drop to injector height once the installation is switched off.

### Product characteristics at a glance

- Lively water effect
- Foam/spume effect
- Offers oxygen enrichment
- Adjusting flange for alignment
- Water pattern is water-level dependent



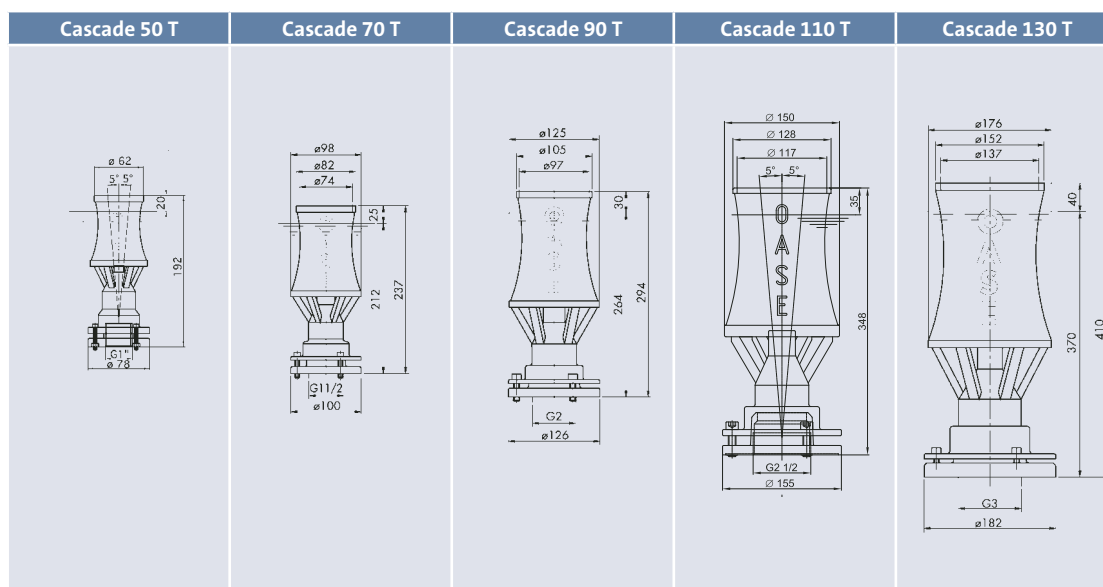
Cascade 50 T

Cascade 70 T

Cascade 90 T

Cascade 110 T

Cascade 130 T



|                       |      | Cascade 50 T |      | Cascade 70 T |      | Cascade 90 T |      | Cascade 110 T |      | Cascade 130 T |      |
|-----------------------|------|--------------|------|--------------|------|--------------|------|---------------|------|---------------|------|
| Dimensions (Ø x H mm) |      | 78 x 192     |      | 100 x 237    |      | 125 x 294    |      | 149 x 346     |      | 176 x 410     |      |
| Fountain height       |      | DWB          | DDB  | DWB          | DDB  | DWB          | DDB  | DWB           | DDB  | DWB           | DDB  |
|                       |      | l/min        | bar  | l/min        | bar  | l/min        | bar  | l/min         | bar  | l/min         | bar  |
| 0.25                  | [m]  | 28           | 0.18 |              |      |              |      |               |      |               |      |
| 0.50                  | [m]  | 34           | 0.26 | 79           | 0.27 |              |      |               |      |               |      |
| 0.75                  | [m]  | 39           | 0.33 | 88           | 0.33 | 141          | 0.27 |               |      |               |      |
| 1.00                  | [m]  | 43           | 0.41 | 97           | 0.40 | 157          | 0.33 | 236           | 0.36 | 379           | 0.36 |
| 1.50                  | [m]  | 51           | 0.57 | 111          | 0.53 | 184          | 0.46 | 279           | 0.48 | 437           | 0.48 |
| 2.00                  | [m]  | 58           | 0.73 | 124          | 0.66 | 208          | 0.58 | 317           | 0.60 | 488           | 0.60 |
| 2.50                  | [m]  | 69           | 1.04 | 136          | 0.79 | 229          | 0.71 | 351           | 0.72 | 534           | 0.72 |
| 3.00                  | [m]  | 74           | 1.20 | 147          | 0.92 | 249          | 0.83 | 382           | 0.84 | 577           | 0.84 |
| 4.00                  | [m]  | 79           | 1.36 | 166          | 1.18 | 284          | 1.08 | 437           | 1.07 | 654           | 1.07 |
| 5.00                  | [m]  | 88           | 1.68 | 184          | 1.44 | 315          | 1.34 | 486           | 1.34 | 723           | 1.34 |
| 6.00                  | [m]  |              |      | 200          | 1.71 | 344          | 1.59 | 531           | 1.55 | 786           | 1.55 |
| 7.00                  | [m]  |              |      | 215          | 1.97 | 370          | 1.85 | 572           | 1.79 | 845           | 1.79 |
| 8.00                  | [m]  |              |      |              |      | 395          | 2.10 | 611           | 2.04 | 900           | 2.04 |
| 10.00                 | [m]  |              |      |              |      | 441          | 2.61 | 682           | 2.52 | 1001          | 2.52 |
| 12.00                 | [m]  |              |      |              |      |              |      | 747           | 3.01 | 1094          | 3.01 |
| 14.00                 | [m]  |              |      |              |      |              |      | 806           | 3.50 | 1180          | 3.50 |
| 16.00                 | [m]  |              |      |              |      |              |      |               |      | 1260          | 3.99 |
| 18.00                 | [m]  |              |      |              |      |              |      |               |      | 1336          | 4.49 |
| 20.00                 | [m]  |              |      |              |      |              |      |               |      | 1408          | 4.99 |
| Material              |      | Tombac       |      |              |      |              |      |               |      |               |      |
| Weight                | [kg] | 1.6          |      | 2.4          |      | 3.6          |      | 7.0           |      | 11.0          |      |
| Order no. NPT         |      | 89051        |      | 89052        |      | 89053        |      | 89054         |      | 89055         |      |
| Order no.             |      | 50911        |      | 50912        |      | 50915        |      | 50916         |      | 50917         |      |

# CASCADE 130 T









|        | Fresh Water | Pool Water | Sea Water | 220-240 V | 400 V | 110-120 V | 50 Hz | 60 Hz | 12 V AC | 24 V DC | DMX | DMX/RDM | Plug and Spray |
|--------|-------------|------------|-----------|-----------|-------|-----------|-------|-------|---------|---------|-----|---------|----------------|
| Geyser | ✓           | ✓          | ✓         | ✓         | ✓     | ✓         | ✓     | ✓     | ✓       | ✓       | ✓   | ✓       | ✓              |

## GEYSER 20 T TO GEYSER 100 T

Like the Cascade nozzles, these injector nozzles also generate a water pattern that changes depending on water level, however the Geyser foam effect nozzles generate a slender, more cylindrical shaped fountain.

Thanks to the injector effect water and air are suctioned in, mixed intensively and accelerated into the air by the injector jet as an impressive soft flowing fountain. In this process a voluminous fountain is generated using relatively low pump capacities.

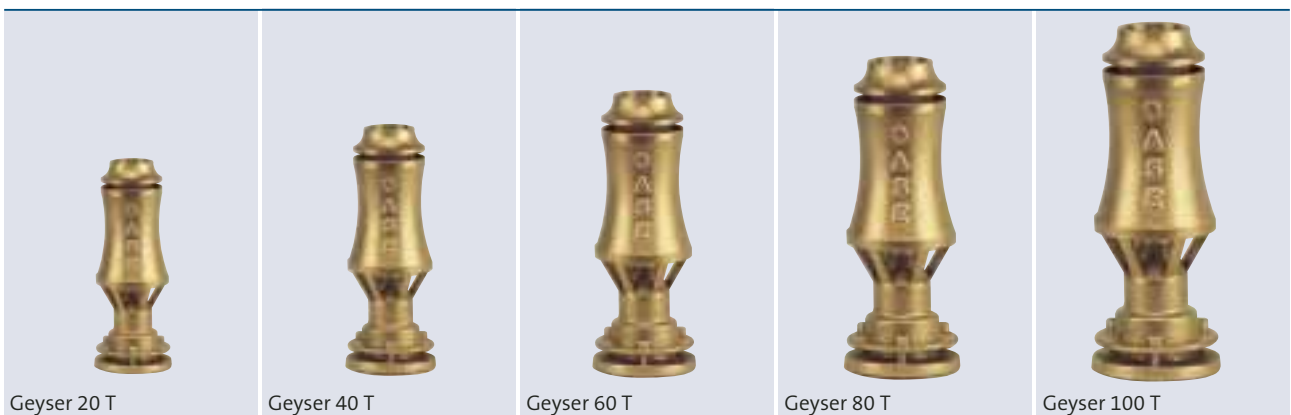
The foam effect nozzles that work depending on the water level generate a slender and higher water pattern if the normal water level is not reached. If

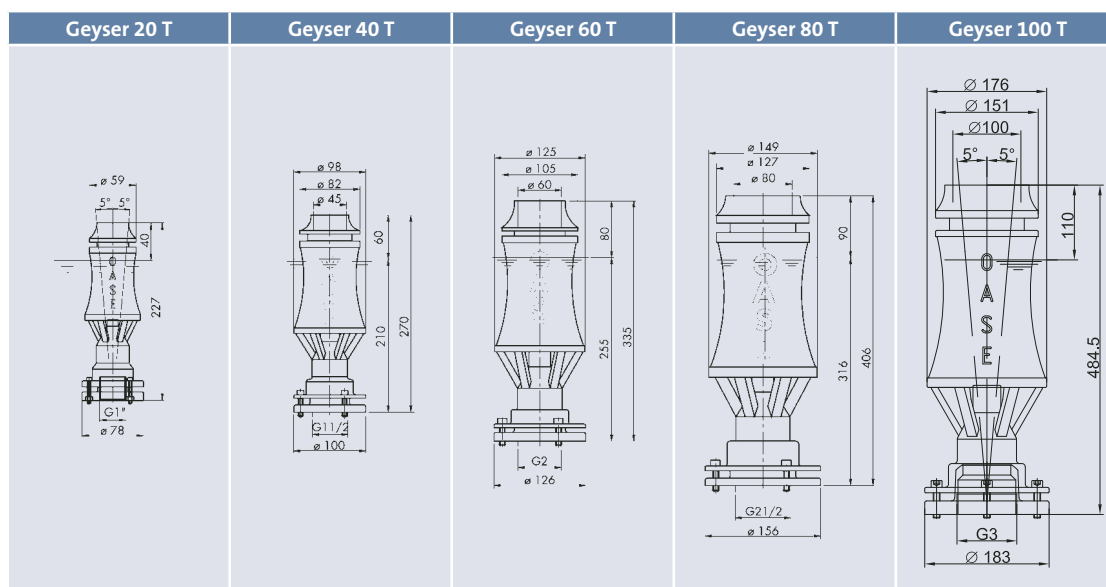
the normal water level is exceeded the water pattern is fuller and lower. This effect is particularly interesting when there are strong wave movements; then the fountains really start to dance.

In installations with a different water level, non-return valves should be provided, otherwise the water level will drop to injector height once the installation is switched off.

### Product characteristics at a glance

- Lively water effect
- Foam / spume effect
- Offers oxygen enrichment
- Adjusting flange for alignment
- Water pattern is water-level dependent

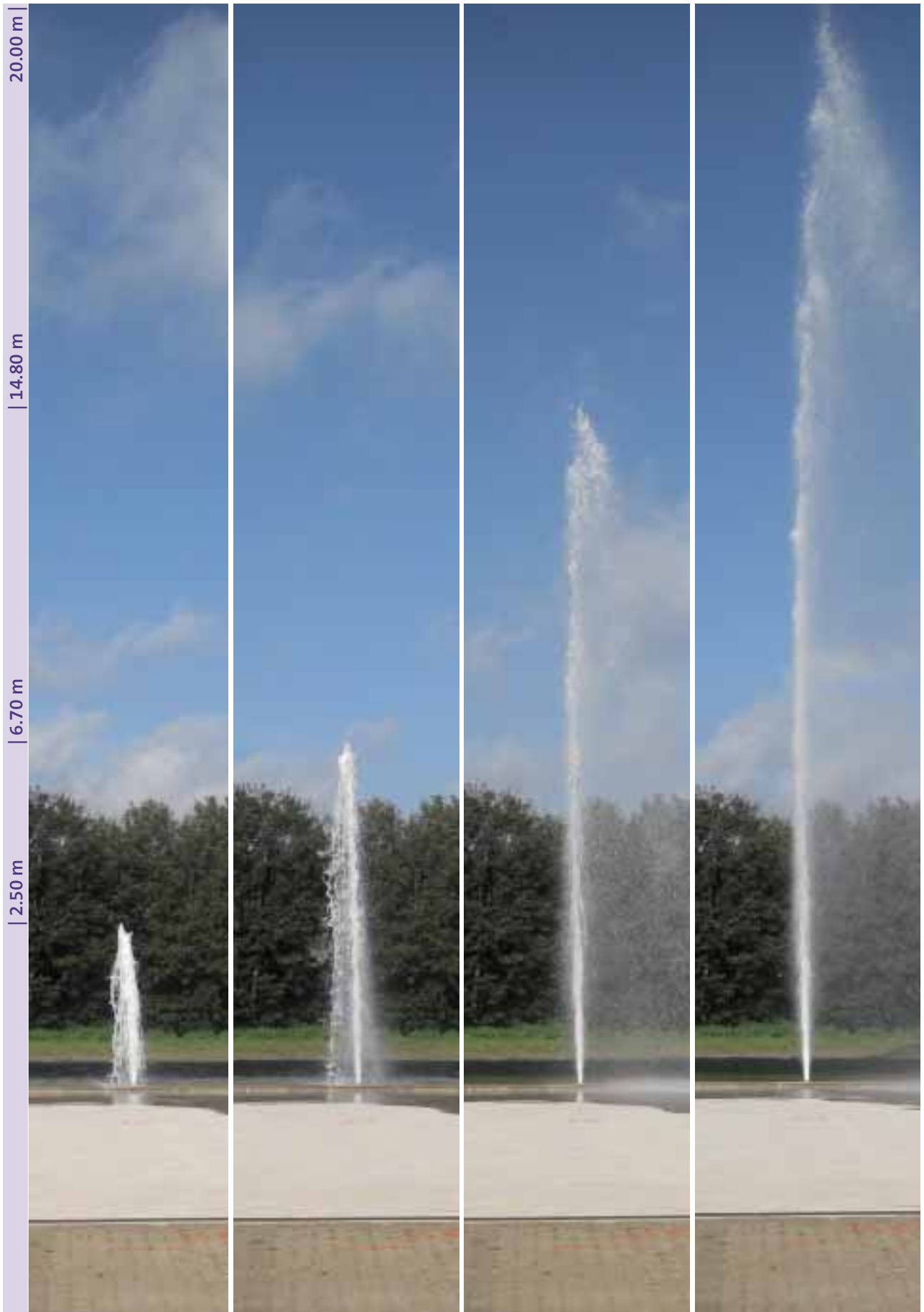




|                       | Geysers 20 T |      | Geysers 40 T |      | Geysers 60 T |      | Geysers 80 T |      | Geysers 100 T |      |
|-----------------------|--------------|------|--------------|------|--------------|------|--------------|------|---------------|------|
| Dimensions (Ø x H mm) | 78 x 227     |      | 98 x 270     |      | 125 x 335    |      | 156 x 406    |      | 182 x 480     |      |
| Fountain height       | DWB          | DDB  | DWB          | DDB  | DWB          | DDB  | DWB          | DDB  | DWB           | DDB  |
|                       | l/min        | bar  | l/min        | bar  | l/min        | bar  | l/min        | bar  | l/min         | bar  |
| 0.50 [m]              | 30           | 0.20 | 82           | 0.27 | 128          | 0.24 |              |      |               |      |
| 0.75 [m]              | 33           | 0.25 | 89           | 0.31 | 140          | 0.29 |              |      |               |      |
| 1.00 [m]              | 37           | 0.30 | 95           | 0.35 | 151          | 0.34 | 242          | 0.37 |               |      |
| 1.50 [m]              | 42           | 0.39 | 105          | 0.43 | 171          | 0.43 | 273          | 0.47 |               |      |
| 2.00 [m]              | 47           | 0.49 | 115          | 0.52 | 189          | 0.53 | 301          | 0.57 | 459           | 0.56 |
| 2.50 [m]              | 52           | 0.59 | 124          | 0.60 | 205          | 0.62 | 327          | 0.67 | 497           | 0.66 |
| 3.00 [m]              | 56           | 0.69 | 133          | 0.69 | 220          | 0.72 | 350          | 0.77 | 532           | 0.75 |
| 4.00 [m]              | 64           | 0.89 | 149          | 0.86 | 247          | 0.91 | 394          | 0.97 | 596           | 0.94 |
| 5.00 [m]              | 71           | 1.08 | 163          | 1.03 | 272          | 1.09 | 433          | 1.18 | 653           | 1.13 |
| 6.00 [m]              | 77           | 1.28 | 176          | 1.20 | 295          | 1.29 | 469          | 1.38 | 707           | 1.33 |
| 7.00 [m]              |              |      | 188          | 1.38 | 316          | 1.57 | 503          | 1.59 | 757           | 1.52 |
| 8.00 [m]              |              |      | 199          | 1.55 | 336          | 1.67 | 534          | 1.79 | 803           | 1.71 |
| 10.00 [m]             |              |      |              |      | 373          | 2.06 | 593          | 2.21 | 890           | 2.10 |
| 12.00 [m]             |              |      |              |      | 407          | 2.44 | 646          | 2.62 | 969           | 2.49 |
| 14.00 [m]             |              |      |              |      |              |      | 696          | 3.04 | 1043          | 2.89 |
| 16.00 [m]             |              |      |              |      |              |      | 742          | 3.46 | 1112          | 3.28 |
| 18.00 [m]             |              |      |              |      |              |      | 786          | 3.88 | 1178          | 3.68 |
| 20.00 [m]             |              |      |              |      |              |      | 828          | 4.30 | 1240          | 4.08 |
| 25.00 [m]             |              |      |              |      |              |      |              |      | 1386          | 5.09 |
| 30.00 [m]             |              |      |              |      |              |      |              |      | 1519          | 6.12 |
| Material              | Tombac       |      |              |      |              |      |              |      |               |      |
| Weight [kg]           | 1.5          |      | 3.2          |      | 5.3          |      | 9.3          |      | 16.2          |      |
| Order no. NPT         | 89023        |      | 89024        |      | 89025        |      | 89026        |      | 89027         |      |
| Order no.             | 50991        |      | 50992        |      | 50993        |      | 50994        |      | 50995         |      |



## GEYSER 80 T





NOZZLES

CLASSIC



|            | Fresh Water | Pool Water | Sea Water | 220-240 V | 400 V | 110-120 V | 50 Hz | 60 Hz | 12 V AC | 24 V DC | DMX | DMX/RDM | Plug and Spray |
|------------|-------------|------------|-----------|-----------|-------|-----------|-------|-------|---------|---------|-----|---------|----------------|
| Mylar Lace | ✓           | ✓          | ✓         | ✓         | ✓     | ✓         | ✓     | ✓     | ✓       | ✓       | ✓   | ✓       | ✓              |

## MYLAR LACE FOUNTAINS SYSTEMS

OASE-mylar lace fountain systems represent an interesting design element in fountain technology. As the water is running noiselessly and nearly without splashing downwards along the special mylar laces, many possible applications are possible.

Indoors the mylar lace fountain can divide a room or form a glittering curtain as an architectural feature.

OASE mylar fountains basically consist of a bottom water reservoir and a top water distribution system with a multitude of mylar nozzles and the corresponding number of adjustable transparent mylar laces. The water reservoir comprises the complete technology - such as pump, overflow drain, freshwater refill, power supply, the mylar lace conduction plate and the underwater lights.

The OASE accessory program also offers other components like a water treatment with the installation of water softener, filtering and dosing plant.

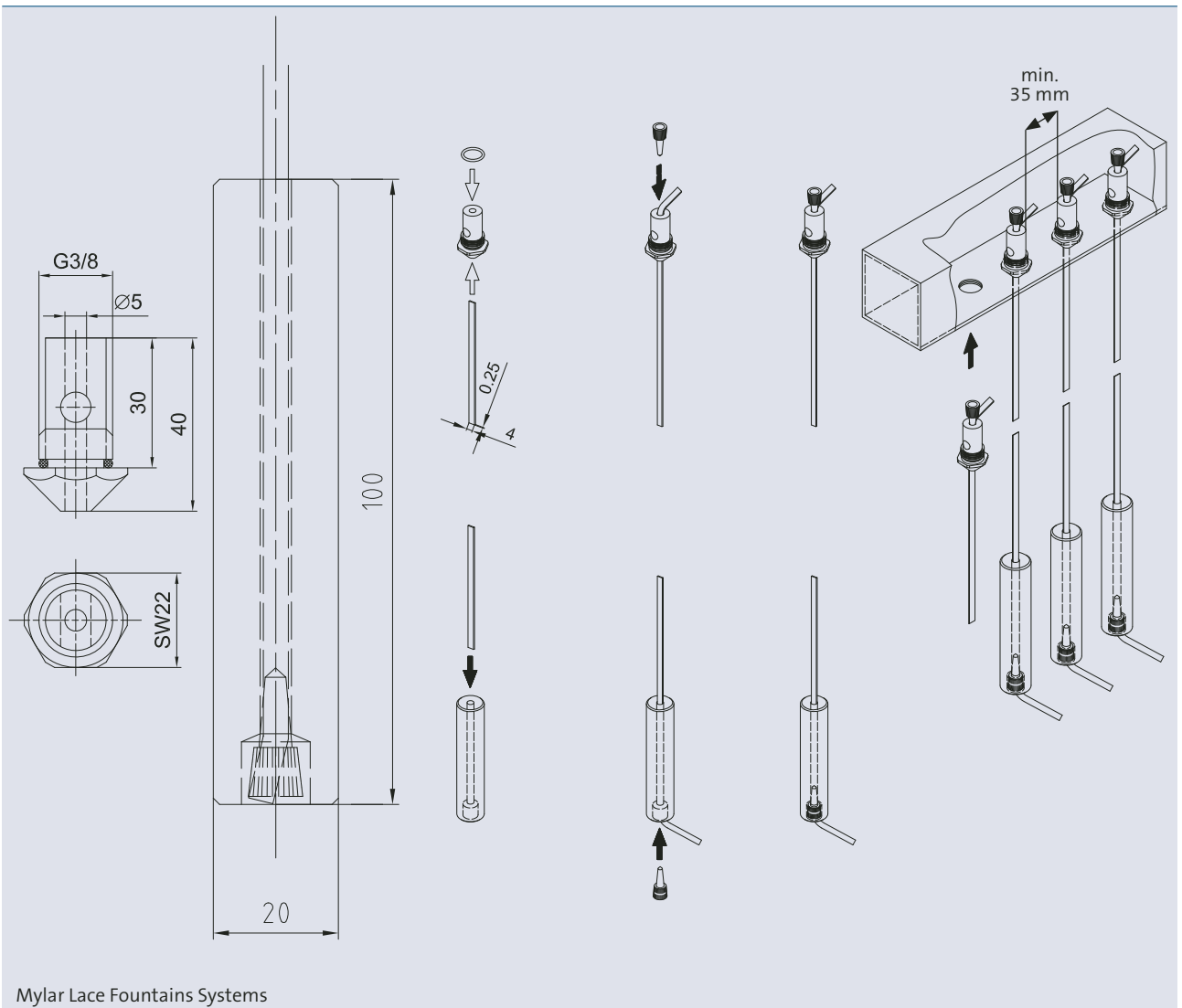
### Product characteristics at a glance

- Attractive design concept
- Remarkable room divider
- Effective room humidifier



Mylar Lace Fountains Systems





Mylar Lace Fountains Systems

|                             | Nozzle for Mylar Lace Typ FDSW22/MS | Mylar Lace Typ MF 4/025 | Lace Weight, Typ FG 20/100MS |
|-----------------------------|-------------------------------------|-------------------------|------------------------------|
| Dimensions (L x W x H) [mm] | 22 x 22 x 40                        | 4 x 0.25 x 150000       | 20 x 20 x 100                |
| Water demand [l/min]        | 0.5                                 | –                       | –                            |
| Material                    | Brass                               | Mylar lace              | Brass                        |
| Weight [kg]                 | 0.1                                 | 0.15                    | 0.2                          |
| <b>Order no.</b>            | <b>52218</b>                        | <b>52219</b>            | <b>52220</b>                 |

# FLOATING FOUNTAINS



**Fountains are not only an attractive highlight for any body of water, they are also healthy for the biological balance**

Floating fountains conjure up impressive water effects wherever standing aggregates are difficult to install: If there are fluctuating water levels, excessive water depths, or on muddy pond floors. Thanks to easy installation they can also be implemented on short notice, or the water pattern can be changed as desired.

OASE floating fountains make an additional contribution by enriching the oxygen in the body of water; a contribution toward the reduction of algae.

The PondJet Eco – a compact, energy-efficient floating fountain with dynamic function – is new in the product range. Learn more on page 80.



## 78 Floating fountains

- 80 PondJet/PondJet Eco
- 82 MIDI II/MAXI II
- 84 Fountain attachments
- 86 Illumination sets

### OASE INNOVATION CENTER

LOCATION: HÖRSTEL/GERMANY

Appealing design and functionality: The new MIDI/MAXI floating fountains.



*PondJet Eco*



*MIDI II / MAXI II*





PondJet with PondJet-Nozzle



Schaumsprudler 35-10 E

|                   | Fresh Water | Pool Water | Sea Water | 220-240 V | 400 V | 110-120 V | 50 Hz | 60 Hz | 12 V AC | 24 V DC | DMX | DMX/RDM | Plug and Spray |
|-------------------|-------------|------------|-----------|-----------|-------|-----------|-------|-------|---------|---------|-----|---------|----------------|
| PondJet Eco 57704 | ✓           | ✓          | ✓         | ✓         | ✓     | ✓         | ✓     | ✓     | ✓       | ✓       | ✓   | ✓       | ✓              |
| PondJet 54019     | ✓           | ✓          | ✓         | ✓         | ✓     | ✓         | ✓     | ✓     | ✓       | ✓       | ✓   | ✓       | ✓              |

## PONDJET / PONDJET ECO

Thanks to the PondJet floating fountain pump, decorative fountains can easily and quickly be achieved without any complex installation.

Neither the depth of the water, nor a pond base that is very dirty or difficult to access are of significance here. Perfect for use at short notice.

INNOVATION – MADE BY OASE

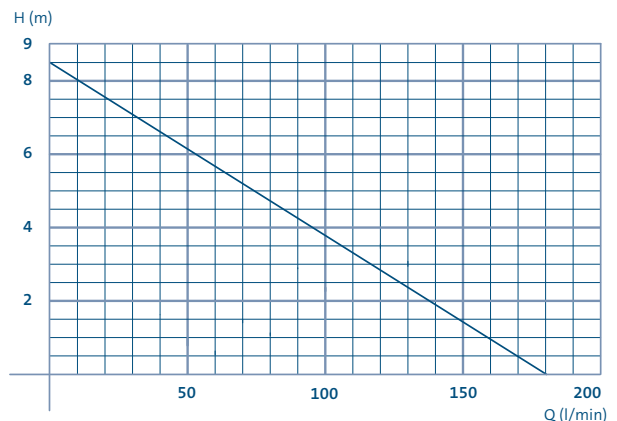


PondJet Eco

### Product characteristics at a glance

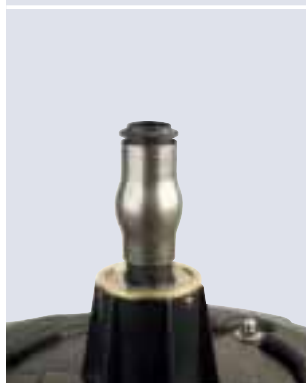
- Ready-to-connect complete aggregate, consisting of pump, float element, and PondJet-nozzle with 1"-thread
- Clearly structured fountain height and spray diameter of 3 metres
- Minimum water depth in clear water is 1 m; for a muddy pond floor the minimum depth is 1.5 m
- Lighting set and additional nozzle patterns are available as accessories

### Pump performance curve





**PondJet-nozzle**  
with 1" thread, cover plate and plug. The 1" thread allows 25 mm / 1" fountain attachments to be attached on the multifunction nozzle of the PondJet.



**1"-thread with nozzle**  
Here, as an example with a mounted Schaumsprudler 35-10E.



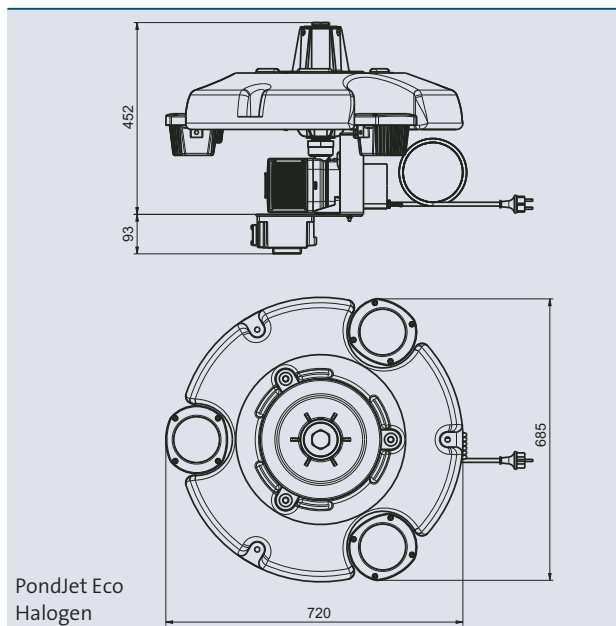
**Dynamic function**  
The dynamic function can be activated by a switch. Thus attractive water patterns with different fountain heights are produced. This function enables an average reduction in power consumption of 105 W.



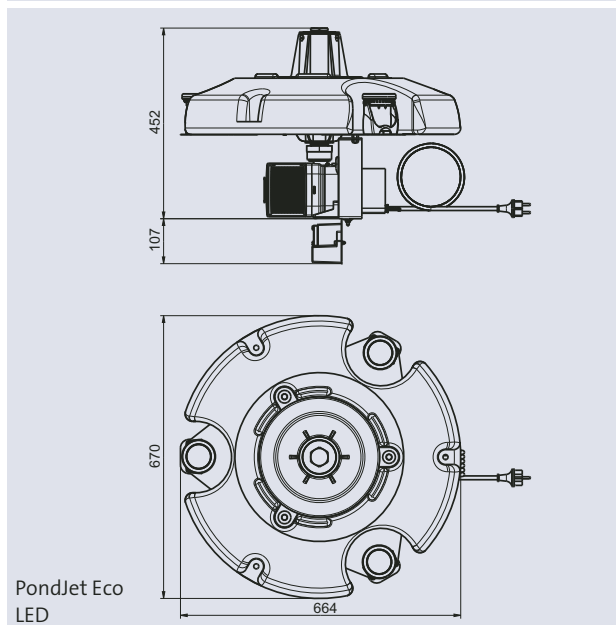
**Connection possibility** for the underwater transformer of the lighting set available as an accessory.



**Accessories: Illumination set and fountain attachments**  
The optional LunAqua 10 spotlight set wonderfully illuminates water patterns. Additional fountain attachments are available.



PondJet Eco Halogen



PondJet Eco LED

| Accessories (must be ordered separately)               | Order no. |
|--|-----------|
| Schaumsprudler 35-10 E (see page 64)                   | 50986     |
| Vulcan 43-3 Silver (see page 59)                       | 50766     |
| Illumination Set PondJet (see page 86)                 | 57083     |
| LED-floating fountain illumination white (see page 86) | 42637     |

| Accessories (must be ordered separately) | Order no. |
|--|-----------|
| Schaumsprudler 35-10 E (see page 64)     | 50986     |
| Vulcan 43-3 Silver (see page 59)         | 50766     |
| Illumination Set PondJet (see page 86)   | 51071     |

| PondJet Eco              |                    |                     |
|--------------------------|--------------------|---------------------|
| Dimensions (Ø x H)       | [mm]               | 670 x 540           |
| Rated voltage            | [V/Hz]             | 220 - 240 / 50 / 60 |
| Power consumption        | [W]                | 190                 |
| Flow rate max.           | [l/min.]           | 180                 |
| Flow rate max.           | [l/h]              | 10800               |
| Head height max.         | [m]                | 8.5                 |
| Pressure-side connection | [inch]             | 1                   |
| Spray height             | [m]                | 3.0                 |
| Filter surface area      | [cm <sup>2</sup> ] | 420                 |
| Cable length             | [m]                | 20.0                |
| Weight                   | [kg]               | 15.20               |
| <b>Order no.</b>         |                    | <b>57704</b>        |

| PondJet                  |        |              |
|--------------------------|--------|--------------|
| Dimensions (Ø x H)       | [ft]   | 2.2 x 1.8    |
| Operating voltage        | [V/Hz] | 110-120 / 60 |
| Power consumption        | [W/A]  | 260 / 2.2    |
| Flow rate max.           | [gpm]  | 40           |
| Flow rate max.           | [gph]  | 2400         |
| Head height max.         | [ft.]  | 28           |
| Pressure-side connection | [in.]  | 1            |
| Spray height max.        | [ft.]  | 10           |
| Spray width max.         | [ft.]  | 10           |
| Cable length             | [ft.]  | 75           |
| Weight                   | [lbs.] | 16.8         |
| <b>Order no.</b>         |        | <b>54019</b> |



|                           | Fresh Water | Pool Water | Sea Water | 220-240 V | 400 V | 110-120 V | 50 Hz | 60 Hz | 12 V AC | 24 V DC | DMX | DMX/RDM | Plug and Spray |
|---------------------------|-------------|------------|-----------|-----------|-------|-----------|-------|-------|---------|---------|-----|---------|----------------|
| MIDI II 1.1 kW / 230 V    | ✓           | ✓          | ✓         | ✓         | ✓     | ✓         | ✓     | ✓     | ✓       | ✓       | ✓   | ✓       | ✓              |
| MAXI II 4.0 kW / 400 V    | ✓           | ✓          | ✓         | ✓         | ✓     | ✓         | ✓     | ✓     | ✓       | ✓       | ✓   | ✓       | ✓              |
| MIDI II 2HP / 230 V 60 Hz | ✓           | ✓          | ✓         | ✓         | ✓     | ✓         | ✓     | ✓     | ✓       | ✓       | ✓   | ✓       | ✓              |
| MAXI II 5HP / 3-Phase     | ✓           | ✓          | ✓         | ✓         | ✓     | ✓         | ✓     | ✓     | ✓       | ✓       | ✓   | ✓       | ✓              |

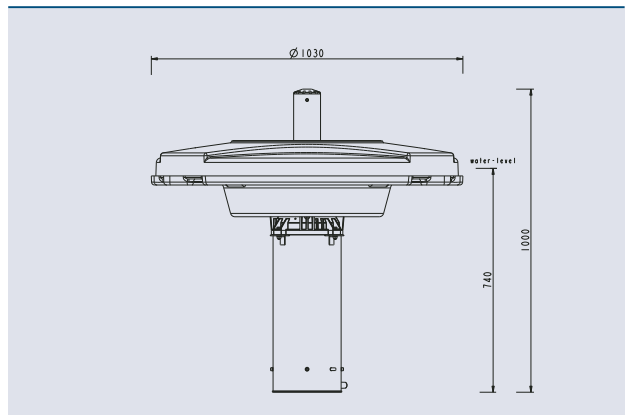
## FLOATING FOUNTAIN MIDI II / MAXI II

### Product characteristics at a glance

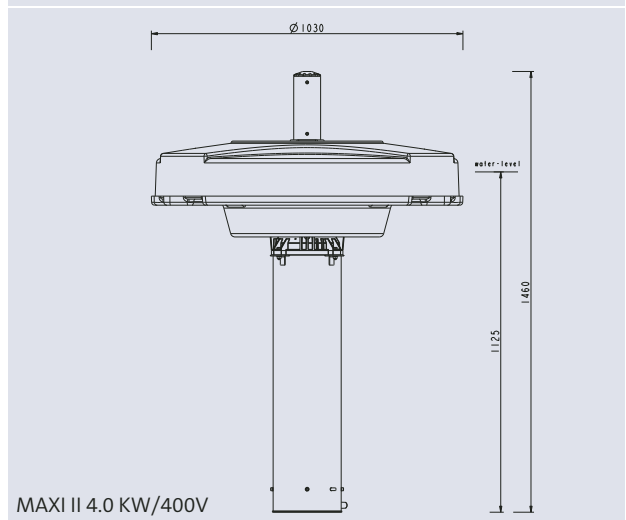
- Models from 1.1 to 4.0 KW and 2 HP to 5 HP
- Complete, ready-to-connect fountain in different motor horse powers
- Four easy-change nozzle patterns with 3" standard threads
- Foamed float for extraordinary stability and minimum noise
- Stainless steel pump basket
- Mounting set included
- Optional lighting set



MIDI II 1.1 kW/230V



MIDI II 1.1 kW/230V



MAXI II 4.0 kW/400V



Easy to install, low-maintenance and with an attractive design: The MIDI/MAXI floating fountain features for interesting water effects both day and night.

Three different motor power outputs with confirming to standards earthed plugs (230 V) and motor circuit breaker or CEE plug (400 V) offer solutions for different bodies of water and conditions. Optimised water pressure creates impressive heights for the four available nozzle patterns with 3" standard threads for fast changing. The easy-to-install LunAqua 10 LED/01 illumination set provides for impressive illumination of the water features with a height of up to 16.5 m.



**Schuko plugs + control box** The 230V version is delivered ready for operation with control box and Schuko connector.



**CEE-connector + protection switch** The 400V version comes with a ready-to-connect, 5-pole CEE connector and motor protection switch



|                                      | MIDI II 1.1 KW/230V | MAXI II 4.0 KW/400V |        | MIDI II 2HP/230V 60Hz | MAXI II 5HP/3-Phase |
|--------------------------------------|---------------------|---------------------|--------|-----------------------|---------------------|
| Dimensions incl. Nozzle (Ø x H) [mm] | 1030x 1000          | 1030 x 1460         | [in.]  | 46 x 28               | 46 x 38             |
| Motor power [kW]                     | 1.1                 | 4.0                 | [W/A]  | 2749 / 13.2           | 3738 / 19.8         |
| Pump output [l/h]                    | 22000               | 39000               | [l/h]  |                       |                     |
| Minimum water depth [mm]             | 1000                | 1250                | [ft.]  | 3                     | 4                   |
| Protection class                     | IP 68               | IP 68               |        | IP 68                 | IP 68               |
| Rated current (230V/400V) [A]        | 7.3                 | 9.6                 | [W/A]  | 2749 / 13.2           | 3738 / 19.8         |
| Voltage [V/Hz]                       | 230 AC / 50         | 400 AC / 50         | [V/Hz] | 230 / 60              | 208-230 / 60        |
| Weight [kg]                          | 80                  | 105                 | [lbs]  | 88                    | 132                 |
| Pump cable set (length) [m]          | 50                  | 50                  | [ft.]  | 600                   | 450                 |
| <b>Order no.</b>                     | <b>50365</b>        | <b>50371</b>        |        | <b>50372</b>          | <b>50374</b>        |

# MIDI II / MAXI II FOUNTAIN ATTACHMENTS



1



2



1



2

Geysers Jet 30

High Jet 30

|                               | Fresh Water | Pool Water | Sea Water | 220-240 V | 400 V | 110-120 V | 50 Hz | 60 Hz | 12 V AC | 24 V DC | DMX | DMX/RDM | Plug and Spray |
|-------------------------------|-------------|------------|-----------|-----------|-------|-----------|-------|-------|---------|---------|-----|---------|----------------|
| Geysers Jet 30 / Hight Jet 30 |             |            |           |           |       |           |       |       |         |         |     |         |                |



Geysers Jet 30



Hight Jet 30

| Fountain attachments           | 1 Geysers Jet 30    |                   | 2 High Jet 30       |                   |
|--------------------------------|---------------------|-------------------|---------------------|-------------------|
| <b>Pump power</b>              | <b>1.1 kW/230 V</b> | <b>4 kW/400 V</b> | <b>1.1 kW/230 V</b> | <b>4 kW/400 V</b> |
| Fountain height (total) [m]    | 5.0                 | 12.0              | 9.0                 | 16.5              |
| Fountain height (1st step) [m] | –                   | –                 | –                   | –                 |
| Nozzle spray diameter [m]      | 1.7                 | 2.7               | 3.0                 | 3.5               |
| <b>Order no.</b>               | <b>50377</b>        |                   | <b>50375</b>        |                   |

All MIDI/MAXI attachments comes with 3"-thread.

Please find more information on our nozzles on page 50.



3



4



3

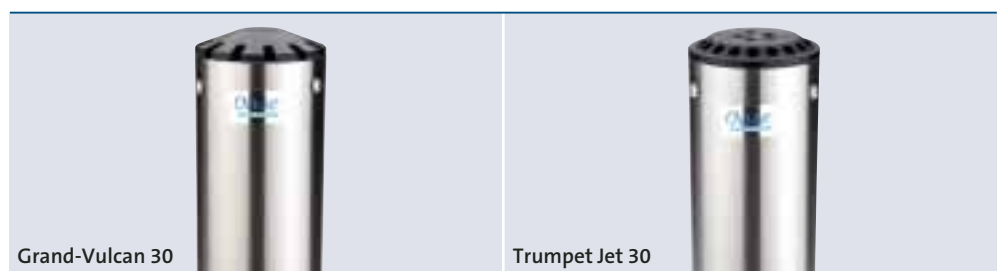


4

Grand-Vulcan 30

Trumpet Jet 30

|                                  | Fresh Water | Pool Water | Sea Water | 220-240 V | 400 V | 110-120 V | 50 Hz | 60 Hz | 12 V AC | 24 V DC | DMX | DMX/RDM | Plug and Spray |
|----------------------------------|-------------|------------|-----------|-----------|-------|-----------|-------|-------|---------|---------|-----|---------|----------------|
| Grand-Vulcan 30 / Trumpet Jet 30 |             |            |           |           |       |           |       |       |         |         |     |         |                |



Grand-Vulcan 30

Trumpet Jet 30

| Fountain attachments           | 3 Grand Vulcan 30   | 4 Trumpet Jet 30  |
|--------------------------------|---------------------|-------------------|
| <b>Pump power</b>              | <b>1.1 kW/230 V</b> | <b>4 kW/400 V</b> |
| Fountain height (total) [m]    | 3.0                 | 7.0               |
| Fountain height (1st step) [m] | –                   | –                 |
| Nozzle spray diameter [m]      | 4.0                 | 6.8               |
| <b>Order no.</b>               | <b>50376</b>        | <b>50378</b>      |

All MIDI/MAXI attachments comes with 3"-thread.

Please find more information on our nozzles on page 58.





|  | Fresh Water | Pool Water | Sea Water | 220-240 V | 400 V | 110-120 V | 50 Hz | 60 Hz | 12 V AC | 24 V DC | DMX | DMX/RDM | Plug and Spray |
|--|-------------|------------|-----------|-----------|-------|-----------|-------|-------|---------|---------|-----|---------|----------------|
| Illumination Set PondJet 57083           | ✓           | ✓          | ✓         | ✓         | ✓     | ✓         | ✓     | ✓     | ✓       | ✓       | ✓   | ✓       | ✓              |
| Illumination Set PondJet 51071           | ✓           | ✓          | ✓         | ✓         | ✓     | ✓         | ✓     | ✓     | ✓       | ✓       | ✓   | ✓       | ✓              |
| LED-floating fountain illumination white | ✓           | ✓          | ✓         | ✓         | ✓     | ✓         | ✓     | ✓     | ✓       | ✓       | ✓   | ✓       | ✓              |
| Illumination Set MIDI/MAXI/AirFlo        | ✓           | ✓          | ✓         | ✓         | ✓     | ✓         | ✓     | ✓     | ✓       | ✓       | ✓   | ✓       | ✓              |

\*0-24 V/350 mA/DC

## ILLUMINATION SETS PONDJET ECO / MIDI II / MAXI II

### LED-FLOATING FOUNTAIN ILLUMINATION WHITE



LED-floating fountain illumination white

### ILLUMINATION SET MIDI II / MAXI II



Illumination Set MIDI / MAXI / AirFlo LED/01



| Illumination Set PondJet  | Illumination Set PondJet  | LED-floating fountain illumination white   | Illumination Set MIDI/MAXI/AirFlo LED/01  |
|---|---|--|---|
|    |    |  <span style="background-color: #0056b3; color: white; padding: 2px 5px; font-weight: bold;">NEW</span>  |    |
| <p>This illumination set includes three LunAqua 10 halogen spotlights and comes with UST 150 transformes, cables and a special mounting kit.</p> <p>By this, it is very easy to retrofit.</p> | <p>This illumination set includes three LunAqua 10 halogen spotlights and comes with UST 150 transformes, cables and a special mounting kit.</p> <p>By this, it is very easy to retrofit.</p> | <p>This illumination includes three LunAqua Power LED lights and comes with an LED driver with 20 m cable and a special mounting kit.</p> <p>By this, it is very easy to retrofit. To illuminate PondJet Eco and MIDI, MAXI and AirFlo Floating Fountains.</p> | <p>For an impressive floating fountain even at night – as easy as our proven MIDI/MAXI/AirFlo system, we offer you a LED version of our illumination kit with three spotlights each. A unique connection system makes it very easy to install the spotlights on the float. The UST 150 transformer is mounted easily to the pump basket directly.</p> |
| Set of 3 Halogen  | Set of 3 Halogen  | Set of 3 LED lights  | Set of 3 LED  |
| 3 x LunAqua 10, each with a 50 W halogen bulb   | 3 x LunAqua 10, each with a 50 W halogen bulb   | 3 x LunAqua Power LED W, each with a 5,8 W LED bulb 230 V / 50 Hz, 0-24 V  | 3 x LunAqua Power LED, each with a 10 W LED bulb  |
| 3 x Light mounting brackets   | 3 x Light mounting brackets   | 3 x Light mounting brackets  | 3 x Light mounting brackets   |
| 1 x Special stainless steel holder for fastening the transformer  | 1 x Special stainless steel holder for fastening the transformer  | 1 x Special stainless steel holder for fastening the LED driver  | 1 x Special stainless steel holder for fastening the transformer  |
| 1 x Safety transformer 150 VA, 230 V-12 V, 50 Hz incl. 20.0 m cable   | 1 x Safety transformer 150 VA, 120 V-12 V, 60 Hz incl. 75 ft. cable   | 1 x LED driver incl. 20.0 + 5.0 m cable  | 1 x Safety transformer 150 VA, 230 V-12 V, 50 Hz incl. 20.0 + 5.0 m cable   |
| Order no. 57083   | Order no. 51071   | Order no. 42637  | Order no. 50479   |

# CONTROLLABLE & CLASSIC PUMPS



## Controllable and classic pumps

Pumps ensure that we can take pleasure in the never-ending play of water; they enable fountains, water features, watercourses, and water falls to come alive.

OASE offers the suitable pump for any requirement; the innovative controllable Varionaut-pumps or the classic pump. The new generation of Varionaut-pumps are DMX/RDM controlled and can send information back to the control panel, e.g. running time and electronic temperature.

These status requests require remote diagnosis and remote maintenance.

This individually regulated pumps create dynamic water effects. The combination of Varionaut pumps with Jumping Jets or Varionaut pumps with VarioJets interfere different effects to total new charmer effects.

The Varionaut 270/DMX/02 is new in the range of controllable 230 V pumps – it closes the gap between the Varionaut 150 and 365. Learn more.





## 92 Controllable Pumps

- 92 Varionaut 90 24V
- 94 Varionaut 150 24V
- 96 Varionaut 150 230V
- 98 Varionaut 270 230V
- 100 Varionaut 365 230V

## 102 Classic Pumps

- 102 Water feature pumps
- 104 Universal pumps
- 110 Block centrifugal pumps
- 112 Submersible motor-driven pumps

### MUSICAL FOUNTAIN IN DEVA

LOCATION: DEVA/ROMANIA

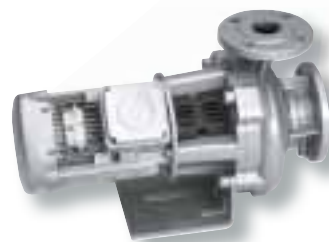
The fountains are placed in the center of Deva. Different dynamic water patterns inspire synchronic with the music.



*Varionaut 270/DMX/02*



*SPA submersible pump*



*BT block centrifugal pump*

## VARIONAUT PUMPS

The Varionaut pumps are controlled via DMX/RDM. The flow rate of each pump can be individually controlled. This enables in creating dynamic and unique water images without any additional water distributor or control valves.

Magical superimposed effects can be generated by combining the Varionaut pumps with Jum-

pingjets or Variojets. The complete range of the OASE Varionaut pumps is patented and available in different sizes in 24V DC and 230 VAC, 50/60 Hz technology.

The new Varionaut 270/DMX/02 in 230V technology closes the gap between the Varionaut 150 and Varionaut 365.

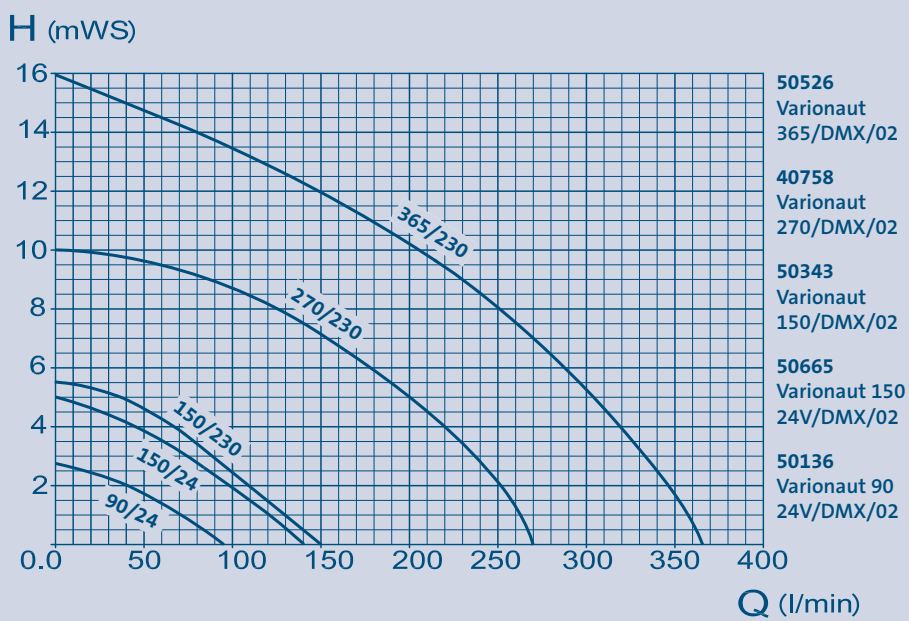


KLCC Park/Petronas Towers  
Location: Kuala Lumpur/ Malaysia



## Overview

This performance chart can be helpful for the selection of the right Varionaut pump. Please refer to the product pages for further details.







|                         | Fresh Water | Pool Water | Sea Water | 220-240 V | 400 V | 110-120 V | 50 Hz | 60 Hz | 12 V AC | 24 V DC | DMX | DMX/RDM | Plug and Spray |
|-------------------------|-------------|------------|-----------|-----------|-------|-----------|-------|-------|---------|---------|-----|---------|----------------|
| Varionaut 90 24V/DMX/02 | ✓           | ✓          | ✓         | ✓         | ✓     | ✓         | ✓     | ✓     | ✓       | ✓       | ✓   | ✓       | ✓              |
| Varionaut 1 /A/DMX/01   | ✓           | ✓          | ✓         | ✓         | ✓     | ✓         | ✓     | ✓     | ✓       | ✓       | ✓   | ✓       | ✓              |

## VARIONAUT 90 24V/DMX/02, VARIONAUT 1

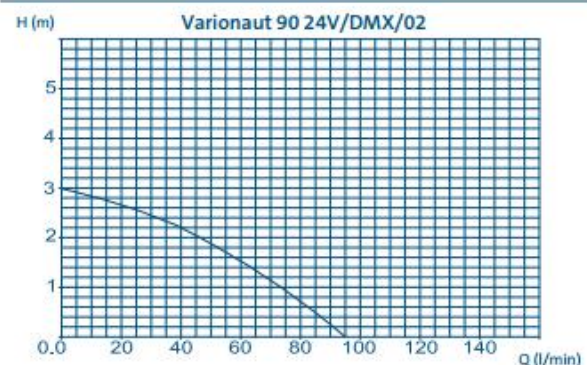
A 24 V/DC indoor and outdoor fountain pump which is suitable for underwater application directly below the nozzles. It fulfills the national regulations of DC current up to 30 V. Any single pump can be individually regulated and controlled via the DMX connection. That way dynamic water effects can be created easily.

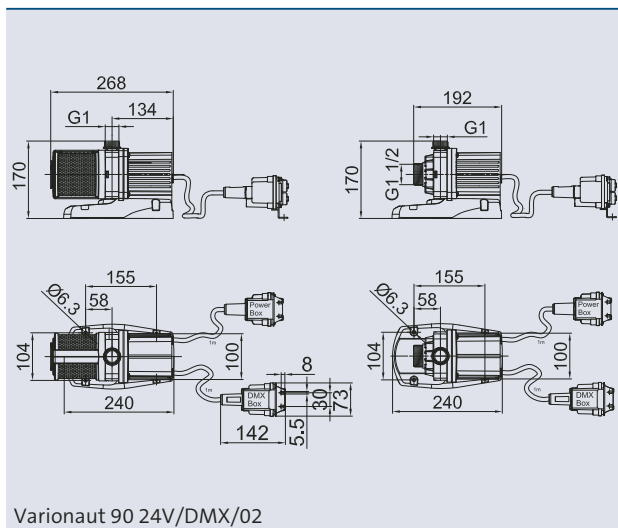
The Varionaut 90 itself produces water displays of up to 2.00 m height – in combination with Comet 5-8 Silver nozzles. It comes with a high-quality stainless steel filter housing, along with 2 connection boxes for the 24 V power supply (only the Varionaut 90) and DMX data source. Through this special connection technology, wiring by hand is no longer necessary. This IP 68 waterproof, patented connection system makes the installation safer, easier and faster. Spotlights and other consumer

loads (e.g. LED spotlights) can be connected easily to DMX/RDM of the pump.

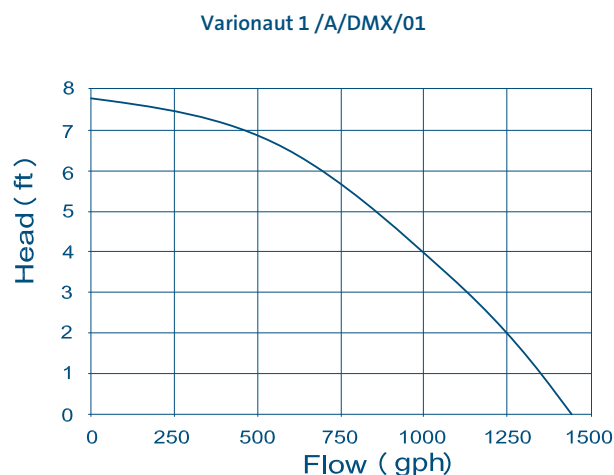
### Product characteristics at a glance

- 24 Volt DC continuous current indoor and outdoor fountain pump
- Can be placed directly below the nozzles in the water as DC up to 30V/DC is approved by national regulations
- Suitable for wet or dry installation
- Power consumption of max. 60 W
- Reverse polarity protection
- 1 m power cable with power box (only 50136) and 1 m DMX cable with DMX box
- Frost protected up to -20° C
- IP 68 rated





Varionaut 90 24V/DMX/02



To operate the Varionaut 90 or Varionaut 1/A an OASE Easy Control or OASE WECS is required (not included).

**Accessories** (must be ordered separately)

|                                       |       |
|---------------------------------------|-------|
| <b>Comet 5-8 Silver</b> (see page 42) | 50762 |
| <b>Comet 5-8 T</b> (see page 44)      | 50964 |

| Connecting cable DMX/01 (see page 162) | Order no. |
|--|-----------|
| Connecting cable DMX/1.0 m/01          | 12368     |
| Connecting cable DMX/3.0 m/01          | 12369     |
| Connecting cable DMX/5.0 m/01          | 12371     |
| Connecting cable DMX/10.0 m/01         | 12372     |
| Connecting cable DMX/20.0 m/01         | 12373     |
| End Resistant for Bus-System DMX/01    | 12007     |

| Connecting cable 24V DC/01 (see page 160)          | Order no. |
|--|-----------|
| Connecting cable 24V DC /1.0 m/01                  | 12762     |
| Connecting cable 24V DC /3.0 m/01                  | 12552     |
| Connecting cable 24V DC /7.5 m/01                  | 12553     |
| Connecting cable 24V DC /15.0 m/01                 | 11720     |
| PowerBox 24 V DC / 01 (see page 160)               | 50493     |
| Underwater power supply 250/24 V/01 (see page 170) | 50733     |
| WECS II 512 / DMX/02 (see page 174)                | 56491     |
| WECS II 1024 / DMX/02 (see page 174)               | 56492     |
| WECS II 2048 / DMX/02 (see page 180)               | 56507     |

|   | Varionaut 90 /24V/DMX/02  | Varionaut 1 /A/DMX/01  |
|---|---|--|
| Motor Type/ Electronic  | 24V DC EC-Motor, DMX controlled   | 24V DC EC-Motor, DMX controlled  |
| Hmax [m]  | 2.60 [ft]   | 7.70   |
| Qmax [l/min]  | 95 [gph]  | 1450   |
| Power max. [W]  | 60 [W]  | 60   |
| Nominal current [A]   | 2.50 [A]  | 2.50   |
| Dynamic behaviour speed: (time to reach full fountain height from 0 – 100 %) with comet 5-8 [s] | 0.60 [s]  | 0.60   |
| Qmin (offset mode – DMX 0) [l/min]  | 26 [gph]  | 412  |
| Max. Powering up / min. Off time [s]  | 1 x per minute / 10 [s]   | 1 x per minute / 10  |
| Nominal voltage [V/DC]  | 24 [V/DC]   | 24   |
| Immersion depth max. [m]  | 4 [ft]  | 13.10  |
| Protection class  | IP 68   | IP 68  |
| Dimensions incl. filter (LxWxH) [mm]  | 268 x 142 x 170 [inch]  | 10.60 x 5 x 6.70   |
| Suction side connection [inch]  | Thread G 1 ½ (external thread) [inch]   | Thread G 1 ½ (external thread)   |
| Pressure side connection [inch]   | Thread G 1 (external thread) [inch]   | Thread G 1 (external thread)   |
| Weight [kg]   | 3.70 [lb]   | 8  |
| Filter housing  | Plastic / stainless steel 1.4301 (AISI 304)   | Plastic / stainless steel 1.4301 (AISI 304)  |
| Input DMX   | 1 m BUS cable with DMX box  | 3 ft BUS cable with DMX box  |
| Input power   | 1 m power cable with power box  | 20 ft power cable without power box  |
| Number of DMX channels  | 2 channels (control channel, speed channel)   | 2 channels (control channel, speed channel)  |
| Environmental conditions: submersible application [°C]  | Water temperature: min. 4 to max. 35 [°C]   | Water temperature: min. 4 to max. 35   |
| Environmental conditions: dry application [°C]  | Ambient temperature: max. 30 with natural convection, max. 40 with forced convection, no direct sun exposure permitted [°C] | Ambient temperature: max. 30 with natural convection, max. 40 with forced convection, no direct sun exposure permitted |
| <b>Order no.</b>  | <b>50136</b>  | <b>50309</b>   |



|                          | Fresh Water | Pool Water | Sea Water | 220-240 V | 400 V | 110-120 V | 50 Hz | 60 Hz | 12 V AC | 24 V DC | DMX | DMX/RDM | Plug and Spray |
|--------------------------|-------------|------------|-----------|-----------|-------|-----------|-------|-------|---------|---------|-----|---------|----------------|
| Varionaut 150 24V/DMX/02 | ✓           | ✓          | ✓         | ✓         | ✓     | ✓         | ✓     | ✓     | ✓       | ✓       | ✓   | ✓       | ✓              |

## VARIONAUT 150 24V/DMX/02

The Varionaut 150 24V/DMX/02 is a DMX-RDM compatible 24 Volt DC pump. It fulfils national regulations of DC continuous current up to 30 V which permits this pump to be used directly below the nozzles in the pool. This individually regulated pump creates dynamic water effects. The Varionaut 150 24 V itself produces fountains of up to 3.1 m height in combination with Comet 10-12 T nozzles.

The Varionaut 150 24V is the big sister of the Varionaut 90 24V. It comes with a high-quality stainless steel filter housing, along with 2 connection boxes for (only 50665) the 24 V power supply and DMX/RDM data source. Through this special connection technology, wiring by

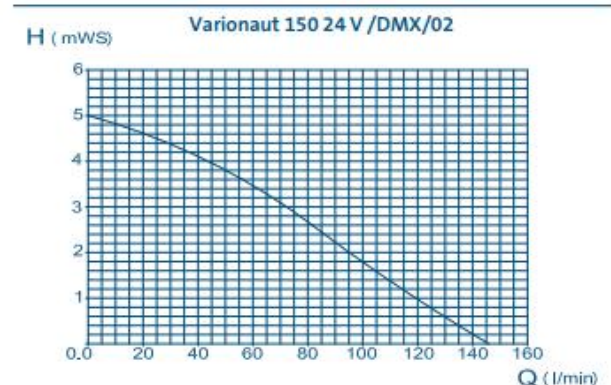
hand is no longer necessary (only 50665). This IP 68 waterproof, patented connection system makes the installation safer, easier and faster. Spotlights and other consumer loads (e.g. LED spotlights) can be connected easily to DMX/RDM of the pump.

### Product characteristics at a glance

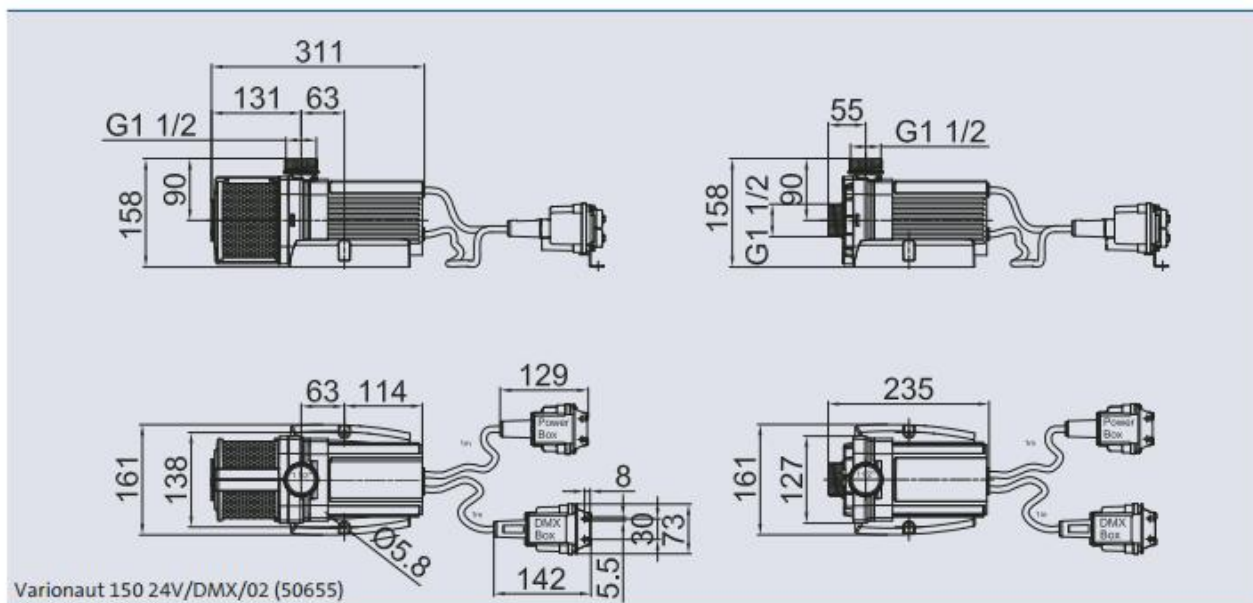
- 24V / DC fountain pump for indoor and outdoor application
- Suitable for wet installation
- Power consumption of max. 120 W
- Reverse polarity protection
- With 1 m BUS and power cable, each with a connection box (only 50665)
- Frost protected up to -20° C
- All parts IP 68 rated



Varionaut 150 24V/DMX/02







To operate the Varionaut 150 24 V an OASE WECS is required (not included).

**Accessories** (must be ordered separately)

|   |                  |
|---|------------------|
| <b>Comet 10-12 T</b> (see page 44)            | 50968            |
| <b>Reducing Sleeve 15x10</b> (see page 245)   | 51032            |
| <b>Connecting cable DMX/01</b> (see page 162) | <b>Order no.</b> |
| Connecting cable DMX/1.0 m/01                 | 12368            |
| Connecting cable DMX/3.0 m/01                 | 12369            |
| Connecting cable DMX/5.0 m/01                 | 12371            |
| Connecting cable DMX/10.0 m/01                | 12372            |
| Connecting cable DMX/20.0 m/01                | 12373            |
| End Resistant for Bus-System DMX/01           | 12007            |

|   |                  |
|---|------------------|
| <b>Connecting cable 24V DC/01</b> (see page 160)          | <b>Order no.</b> |
| Connecting cable 24V DC /1.0 m/01                         | 12762            |
| Connecting cable 24V DC /3.0 m/01                         | 12552            |
| Connecting cable 24V DC /7.5 m/01                         | 12553            |
| Connecting cable 24V DC /15.0 m/01                        | 11720            |
| <b>PowerBox 24 V DC / 01</b> (see page 160)               | 50493            |
| <b>Underwater power supply 250/24 V/01</b> (see page 170) | 50733            |
| <b>WECS II 512 / DMX/02</b> (see page 174)                | 56491            |
| <b>WECS II 1024 / DMX/02</b> (see page 174)               | 56492            |
| <b>WECS II 2048 / DMX/02</b> (see page 180)               | 56507            |

|   | Varionaut 150 24V/DMX/02                          |   | Varionaut 150 24V/DMX/02                          |   |
|---|---|---|---|---|
| Motor Type/ Electronic  | 24V DC EC-Motor, DMX Controlled (DMX-RDM enabled) |   | 24V DC EC-Motor, DMX Controlled (DMX-RDM enabled) |   |
| Hmax  | [m]   | 5   | [ft]  | 16.40   |
| Qmax  | [l/min]   | 145   | [gph]   | 2300  |
| Power max.  | [W]   | 120   | [W]   | 120   |
| Nominal current   | [A]   | 5   | [A]   | 5   |
| Dynamic behaviour speed: (time to reach full fountain height from 0 – 100 %) with comet 5-8 | [s]   | 1   | [s]   | 1   |
| Qmin (offset mode – DMX 0)  | [l/min]   | 22  | [gph]   | 350   |
| Max. Powering up / min. Off time  | [s]   | 1 x per minute / 10 s   | [s]   | 1 x per minute / 10 s   |
| Nominal voltage   | [V/DC]  | 24  | [V/DC]  | 24  |
| Immersion depth max.  | [m]   | 4   | [ft]  | 13.10   |
| Protection class  |   | IP 68   |   | IP 68   |
| Dimensions incl. filter (LxWxH)   | [mm]  | 311 x 161 x 158   | [inch]  | 12.20 x 6.30 x 6.20   |
| Suction side connection   | [inch]  | Thread G 1 ½ (external thread)  | [inch]  | Thread G 1 ½ (external thread)  |
| Pressure side connection  | [inch]  | Thread G 1 ½ (external thread)  | [inch]  | Thread G 1 ½ (external thread)  |
| Weight  | [kg]  | 5   | [lb]  | 11  |
| Filter housing  |   | Plastic / stainless steel 1.4301 (AISI 304)   |   | Stainless steel / plastic   |
| Input DMX   |   | 1m BUS cable with DMX box   |   | 3.28 ft. BUS cable with DMX box   |
| Input power   |   | 1m 24V power cable with power box   |   | 20 ft power cable without plug (R&D)  |
| Number of DMX channels  |   | 2 channels (control channel, speed channel)   |   | 2 channels (control channel, speed channel)   |
| Environmental conditions: submersible application   | [°C]  | Water temperature: min. 4 to max. 35  | [°C]  | Water temperature: min. 4 to max. 35  |
| Environmental conditions: dry application   | [°C]  | Ambient temperature:<br>max. 30°C with natural convection,<br>max. 40 with forced convection,<br>no direct sun exposure permitted | [°C]  | Ambient temperature:<br>max. 30°C with natural convection,<br>max. 40 with forced convection,<br>no direct sun exposure permitted |
| <b>Order no.</b>  |   | <b>50665</b>  |   | <b>57650</b>  |



|                      | Fresh Water | Pool Water | Sea Water | 220-240 V | 400 V | 110-120 V | 50 Hz | 60 Hz | 12 V AC | 24 V DC | DMX | DMX/RDM | Plug and Spray |
|----------------------|-------------|------------|-----------|-----------|-------|-----------|-------|-------|---------|---------|-----|---------|----------------|
| Varionaut 150/DMX/02 | ✓           | ✓          | ✓         | ✓         | ✓     | ✓         | ✓     | ✓     | ✓       | ✓       | ✓   | ✓       | ✓              |

## VARIONAUT 150/DMX/02

The 230 Volt – alternating current – version of the Varionaut manages to connect to a Comet 10-12 T shoot to height of up to 3.50 m. Any single pump can be individually regulated and controlled by the DMX connection. With this dynamic water effects can be created easily.

The Varionaut 150/DMX/02 (50343) comes with a power connection cable of 10 m and a DMX cable of 1 m. With these special connection boxes, hand wiring is no longer necessary. This IP 68 waterproof, patented connection system makes the installation safer, easier and faster. Spotlights and other consumer loads (eg. LED

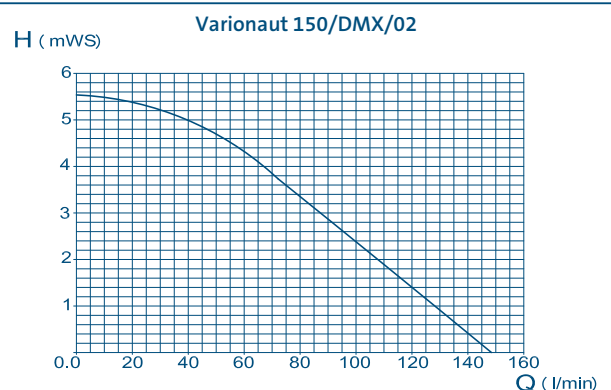
spotlights) can easily be connected to the DMX of the pump. The Varionaut 150/DMX/02 has a power consumption of 130 W and a power supply of AC 220-240V 50/60Hz.

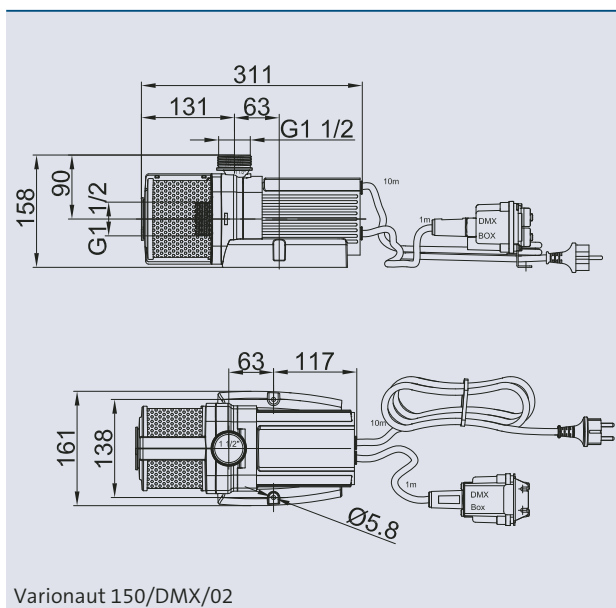
### Product characteristics at a glance

- 230V/AC fountain pump with alternating current for the application indoor and outdoor
- Suitable for wet or dry installation
- Power consumption of max. 130 W
- 10m power cable with plug and 1m DMX cable with DMX box (50343)
- IP 68 rated
- RDM-DMX capable



Varionaut 150/DMX/02





To operate the Varionaut 150 or Varionaut 2/A an OASE Easy Control or OASE WECS is required (not included).

**Accessories** (must be ordered separately)

|   |                  |
|---|------------------|
| <b>Comet 10-12 T</b> (see page 44)            | <b>50968</b>     |
| <b>Reducing Sleeve 15x10</b> (see page 245)   | <b>51032</b>     |
| <b>Connecting cable DMX/01</b> (see page 162) | <b>Order no.</b> |
| Connecting cable DMX/1.0 m/01                 | <b>12368</b>     |
| Connecting cable DMX/3.0 m/01                 | <b>12369</b>     |
| Connecting cable DMX/5.0 m/01                 | <b>12371</b>     |
| Connecting cable DMX/10.0 m/01                | <b>12372</b>     |
| Connecting cable DMX/20.0 m/01                | <b>12373</b>     |
| End Resistant for Bus-System DMX/01           | <b>12007</b>     |
| <b>WECS II 512 / DMX/02</b> (see page 174)    | <b>56491</b>     |
| <b>WECS II 1024 / DMX/02</b> (see page 174)   | <b>56492</b>     |
| <b>WECS II 2048 / DMX/02</b> (see page 180)   | <b>56507</b>     |

|   | Varionaut 150/DMX/02                             |   | Varionaut 150/DMX/02                             |   |
|---|--|---|--|---|
| Motor Type/ Electronic  | 230 V EC-Motor, DMX controlled (DMX-RDM enabled) |   | 230 V EC-Motor, DMX controlled (DMX-RDM enabled) |   |
| Hmax  | [m]  | 5.60  | [ft]   | 18  |
| Qmax  | [l/min]  | 150   | [gph]  | 2400  |
| Power max.  | [W]  | 130   | [W]  | 130   |
| Nominal current   | [A]  | 1.37  | [A]  | 1.37  |
| Dynamic behaviour speed: (time to reach full fountain height from 0 – 100 %) with comet 5-8 | [s]  | 1   | [s]  | 1   |
| Qmin (offset mode – DMX 0)  | [l/min]  | 24  | [gph]  | 380.4   |
| Max. Powering up / min. Off time  | [s]  | 1 x per minute / 10   | [s]  | 1 x per minute / 10 s   |
| Nominal voltage   | [V/Hz]   | 220-240, 50/60  | [V/Hz]   | 220-240, 50/60  |
| Immersion depth max.  | [m]  | 4   | [ft]   | 13.10   |
| Protection class  |  | IP 68   |  | IP 68   |
| Dimensions incl. filter (LxWxH)   | [mm]   | 311 x 161 x 158   | [inch]   | 12.20 x 6.30 x 6.20   |
| Suction side connection   | [inch]   | Thread G 1 ½ (external thread)  | [inch]   | Thread G 1 ½ (external thread)  |
| Pressure side connection  | [inch]   | Thread G 1 ½ (external thread)  | [inch]   | Thread G 1 ½ (external thread)  |
| Weight  | [kg]   | 4.90  | [lb]   | 11  |
| Filter housing  |  | Plastic / stainless steel 1.4301 (AISI 304)   |  | Stainless steel / plastic   |
| Input DMX   |  | 1 m BUS cable with DMX box  |  | 3.28 ft. BUS cable with DMX box   |
| Input power   |  | 10 m power cable with plug  |  | 20 ft power cable without plug  |
| Number of DMX channels  |  | 2 channels (control channel, speed channel)   |  | 2 channels (control channel, speed channel)   |
| Environmental conditions: submersible application   | [°C]   | Water temperature: min. 4 to max. 35  | [°C]   | Water temperature: min. 4 to max. 35  |
| Environmental conditions: dry application   | [°C]   | Ambient temperature:<br>max. 30 with natural convection,<br>max. 40 with forced convection,<br>no direct sun exposure permitted | [°C]   | Ambient temperature:<br>max. 30°C with natural convection,<br>max. 40 with forced convection,<br>no direct sun exposure permitted |
| <b>Order no.</b>  |  | <b>50343</b>  |  | <b>57690</b>  |





|                      | Fresh Water | Pool Water | Sea Water | 220-240 V | 400 V | 110-120 V | 50 Hz | 60 Hz | 12 V AC | 24 V DC | DMX | DMX/RDM | Plug and Spray |
|----------------------|-------------|------------|-----------|-----------|-------|-----------|-------|-------|---------|---------|-----|---------|----------------|
| Varionaut 270/DMX/02 | ✓           | ✓          | ✓         | ✓         | ✓     | ✓         | ✓     | ✓     | ✓       | ✓       | ✓   | ✓       | ✓              |

## VARIONAUT 270/DMX/02

The new high dynamic fountain pump Varionaut 270 / DMX / 02 closes the gap between the existing Varionaut 150 and Varionaut 365. This energy-efficient pump can be regulated and controlled via the integrated DMX RDM port. This enables easy creation of individual and dynamic water effects.

The Varionaut 270 / DMX / 02 is equipped with a 10 m power cable with plug and two inbuilt DMX-RDM ports including capillary barrier. The pump is individually addressable and controllable. Other users (such as LED lights) which are connected to the second DMX-RDM port can be looped. The IP 68 waterproof, patented connection

system eliminates the need of manual wiring. The installation is safer, easier and faster.

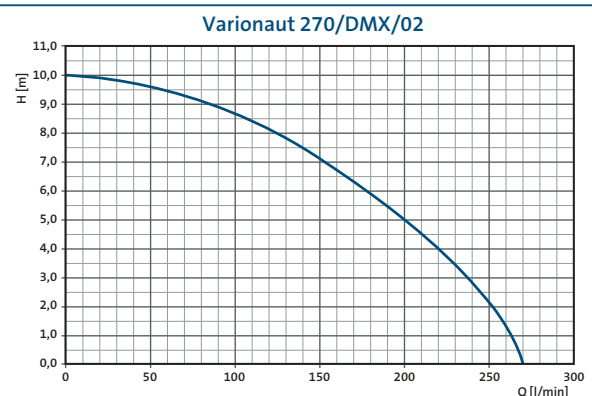
### Product characteristics at a glance

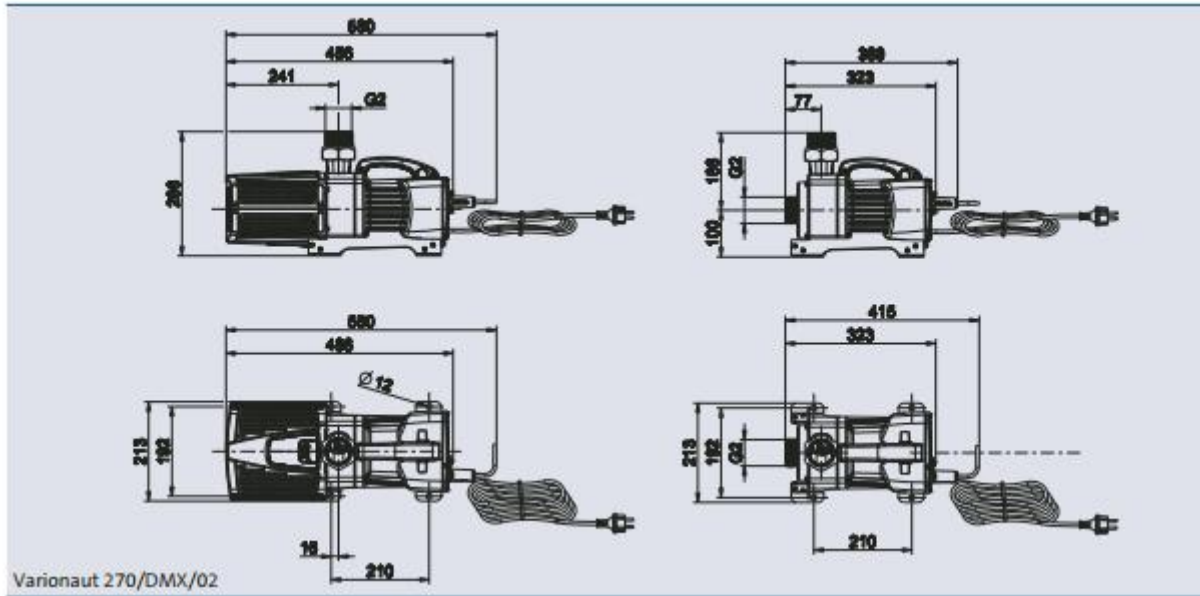
- High dynamic fountain pump
- Individual controllable closed loop speed control via DMX with continuous flow rate
- 230 V AC pump for indoor and outdoor
- Suitable for wet or dry installation
- Power consumption max. 380 W
- Without initial current
- 10 m power cable with plug
- 2 DMX RDM ports (1 x input/ 1 x output) directly at the pump
- Frost protected up to -20 ° C
- IP 68 rated
- DMX-RDM capable

### INNOVATION – MADE BY OASE



Varionaut 270/DMX/02





Varionaut 270/DMX/02

The DMX/RDM controlled Varionaut pump sends back information like temperature, rotation speed, voltage and runtime. The status requests of DMX/RDM allow remote diagnosis and remote maintenance. The Varionaut 270 requires only 380 W and runs with 220-240 V AC voltage at 50 as well as 60 Hz. A DMX controller, e.g. a WECS II 512 / DMX/02/DMX/02, WECS II 1024 / DMX/02/DMX/02 or WECS II 2048 / DMX/02/DMX/02 server (not included), is required for operating the Varionaut pump.

**Accessories** (must be ordered separately)

|   |                  |
|---|------------------|
| <b>Cluster Eco 15-38</b> (see page 47)        | <b>45480</b>     |
| <b>Connecting cable DMX/01</b> (see page 162) | <b>Order no.</b> |
| Connecting cable DMX/1.0 m/01                 | <b>12368</b>     |
| Connecting cable DMX/3.0 m/01                 | <b>12369</b>     |
| Connecting cable DMX/5.0 m/01                 | <b>12371</b>     |
| Connecting cable DMX/10.0 m/01                | <b>12372</b>     |
| Connecting cable DMX/20.0 m/01                | <b>12373</b>     |
| End Resistant for Bus-System DMX/01           | <b>12007</b>     |
| <b>WECS II 512 / DMX/02</b> (see page 174)    | <b>56491</b>     |
| <b>WECS II 1024 / DMX/02</b> (see page 174)   | <b>56492</b>     |
| <b>WECS II 2048 / DMX/02</b> (see page 180)   | <b>56507</b>     |

|   |         | <b>Varionaut 270 DMX/02</b>  |
|---|---------|--|
| Motor Type/ Electronic  |         | 230V EC-Motor, DMX controlled (DMX-RDM enabled)  |
| Hmax  | [m]     | 10   |
| Qmax  | [l/min] | 270  |
| Power max.  | [W]     | 380  |
| Nominal current   | [A]     | 1.9  |
| Dynamic behaviour speed: (time to reach full fountain height from 0 – 100 %) with Komet 10-14 | [s]     | 1  |
| Qmin (offset mode – DMX 0)  | [l/min] | 10   |
| Max. Powering up / min. Off time  | [s]     | 1 x per minute / 10 s  |
| Nominal voltage   | [V/Hz]  | 220-240, 50/60   |
| Immersion depth max.  | [m]     | 4  |
| Protection class  |         | IP 68  |
| Dimensions incl. filter (LxWxH)   | [mm]    | 487 x 213 x 266  |
| Suction side connection   | [inch]  | Thread G2 (external thread)  |
| Pressure side connection  | [inch]  | Thread G2 (external thread)  |
| Weight  | [kg]    | 12.1   |
| Filter housing  |         | Plastic / stainless steel 1.4301 (AISI 304)  |
| DMX connection  |         | 2 x (1 x input / 1 x output)   |
| Input power   |         | 10 m power cable with plug   |
| Number of DMX-channels  |         | 2 channels (control channel, speed channel)  |
| Environmental conditions: submersible application   | [°C]    | Water temperature: min. 4 to max. 35   |
| Environmental conditions: dry application   | [°C]    | Ambient temperature: max. 30 with natural convection, max. 40 with forced convection, no direct sun exposure permitted |
| <b>Order no.</b>  |         | <b>40758</b>   |



|                      | Fresh Water | Pool Water | Sea Water | 220-240 V | 400 V | 110-120 V | 50 Hz | 60 Hz | 12 V AC | 24 V DC | DMX | DMX/RDM | Plug and Spray |
|----------------------|-------------|------------|-----------|-----------|-------|-----------|-------|-------|---------|---------|-----|---------|----------------|
| Varionaut 365/DMX/02 | ✓           | ✓          | ✓         | ✓         | ✓     | ✓         | ✓     | ✓     | ✓       | ✓       | ✓   | ✓       | ✓              |

## VARIONAUT 365/DMX/02

The Varionaut 365/DMX/02 is the most powerful DMX-RDM compatible pump. This individually controllable pump creates dynamic water effects and achieves thereby a maximum fountain height in only 1.8 secs.

The Varionaut 365/DMX/02 is supplied with an integrated power connection cable and a DMX/RDM connection box. This (Plug & Spray) eliminates the need for hand wiring. This IP 68 waterproof, patented connection system makes the installation safer, easier and faster. Lights and

other devices (e.g. LED lights) can be easily interconnected via the DMX/RDM cable. The DMX/RDM controlled Varionaut pumps send back information like running time and electronic temperature etc. to the control panel. These status signals enable remote diagnosis and remote maintenance. This is the service concept for the future. The Varionaut 365/DMX/02 can be regulated very precisely – the regulation level being lesser than 1 % of the total height.

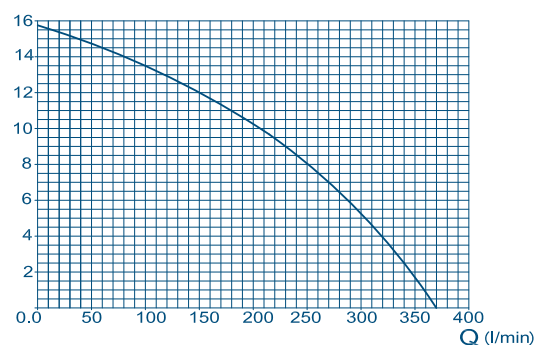
### Product characteristics at a glance

- Without initial current
- Continuously adjustable via DMX (flow rate)
- RDM/DMX - capable
- Suitable for wet or dry installation
- 10 m power cable with plug (6 ft power cable without plug)
- DMX connection box
- IP 68 protection

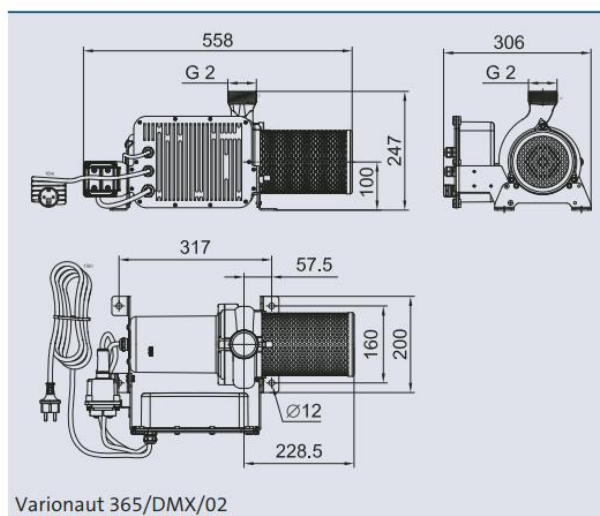


Varionaut 365/DMX/02

H (mWS) Varionaut 365/DMX/02







Varionaut 365/DMX/02

**Accessories** (must be ordered separately)

|   |                  |
|---|------------------|
| <b>Comet 10-14 T</b> (see page 44)            | 50969            |
| <b>Comet 15-17 T</b> (see page 44)            | 50970            |
| <b>Comet 15-20 T</b> (see page 44)            | 50971            |
| <b>Comet 10-14 Silver</b> (see page 42)       | 50723            |
| <b>Comet 15-17 Silver</b> (see page 42)       | 50724            |
| <b>Rotating Nozzle 5-15 E</b> (see page 62)   | 50967            |
| <b>Reducing Sleeve 15x10</b> (see page 245)   | 51032            |
| <b>Reducing Sleeve 20x15</b> (see page 245)   | 51030            |
| <b>Connecting cable DMX/01</b> (see page 162) | <b>Order no.</b> |
| Connecting cable DMX/1.0 m/01                 | 12368            |
| Connecting cable DMX/3.0 m/01                 | 12369            |
| Connecting cable DMX/5.0 m/01                 | 12371            |
| Connecting cable DMX/10.0 m/01                | 12372            |
| Connecting cable DMX/20.0 m/01                | 12373            |
| End Resistant for Bus-System DMX/01           | 12007            |
| <b>WECS II 512 / DMX/02</b> (see page 174)    | 56491            |
| <b>WECS II 1024 / DMX/02</b> (see page 174)   | 56492            |
| <b>WECS II 2048 / DMX/02</b> (see page 180)   | 56507            |

|   | Varionaut 365/DMX/02              |  | Varionaut 365/DMX/02              |  |
|---|-----------------------------------|--|-----------------------------------|--|
| Motor Type/ Electronic  | 230V EC-Motor, RDM/DMX controlled |  | 230V EC-Motor, RDM/DMX controlled |  |
| Hmax  | [m]                               | 16   | [ft]                              | 52   |
| Qmax  | [l/min]                           | 365  | [gph]                             | 5700   |
| Power max.  | [W]                               | 800  | [W]                               | 800  |
| Nominal current   | [A]                               | 4  | [A]                               | 4  |
| Dynamic behaviour speed:<br>(time to reach full fountain height from 0 – 100 %) with Comet Prec 15-20 | [s]                               | Response time approx. 1.8 s based on max. height. Step response <1% of the total fountain height?                                  | [s]                               | Response time approx. 1.8 s based on max. height. Step response <1% of the total fountain height?                                  |
| Qmin (offset mode – DMX 0)  | [l/min]                           | 45   | [gph]                             | 715  |
| Max. Powering up / min. Off time  | [s]                               | 1 x per minute / 10 s  | [s]                               | 1 x per minute / 10 s  |
| Nominal voltage   | [V/Hz]                            | 230, 50/60   | [V/Hz]                            | 230, 50/60   |
| Immersion depth max.  | [m]                               | 4  | [ft]                              | 13.1   |
| Protection class  |                                   | IP 68  |                                   | IP 68  |
| Dimensions incl. filter (LxWxH)   | [mm]                              | 560 x 310 x 250  | [inch]                            | 22 x 12.20 x 9.84  |
| Suction side connection   | [inch]                            | thread G2 (internal thread)  | [inch]                            | thread G2 (internal thread)  |
| Pressure side connection  | [inch]                            | thread G2 (external thread)  | [inch]                            | thread G2 (external thread)  |
| Weight  | [kg]                              | 17   | [lb]                              | 38   |
| Filter housing  |                                   | Tombac / stainless steel 1.4301 (AISI 304)   |                                   | Tombac / stainless steel 1.4301 (AISI 304)   |
| Filter surface  | [cm <sup>2</sup> ]                | approx. 1100   | [sq.ft]                           | approx. 1.184  |
| Pump housing  |                                   | Brass Casting  |                                   | Brass Casting  |
| Input DMX   |                                   | 0.5 m BUS-cable with DMX box   |                                   | 1.64 ft. BUS-cable with DMX box  |
| Input power   |                                   | 10 m power cable with plug   |                                   | 20 ft. power cable without plug  |
| Number of DMX channels  |                                   | 2 channels (control channel, speed channel)  |                                   | 2 channels (control channel, speed channel)  |
| Environmental conditions: submersible application   | [°C]                              | Water temperature: min. 4 to max. 35   | [°C]                              | Water temperature: min. 4 to max. 35   |
| Environmental conditions: dry application   | [°C]                              | Ambient temperature:<br>max. 30°C with natural convection,<br>max. 40 with forced convection,<br>no direct sun exposure permitted. | [°C]                              | Ambient temperature:<br>max. 30°C with natural convection,<br>max. 40 with forced convection,<br>no direct sun exposure permitted. |
| <b>Order no.</b>  |                                   | <b>50526</b>   |                                   | <b>56115</b>   |

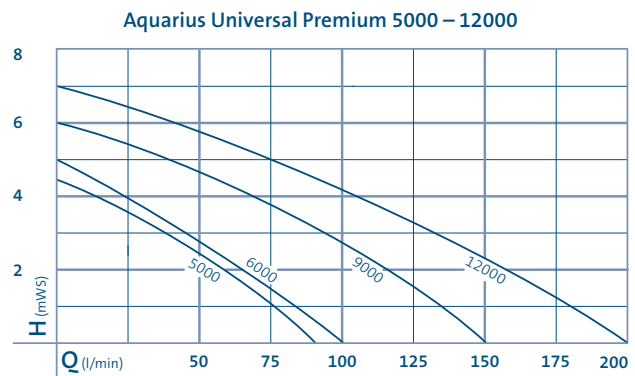
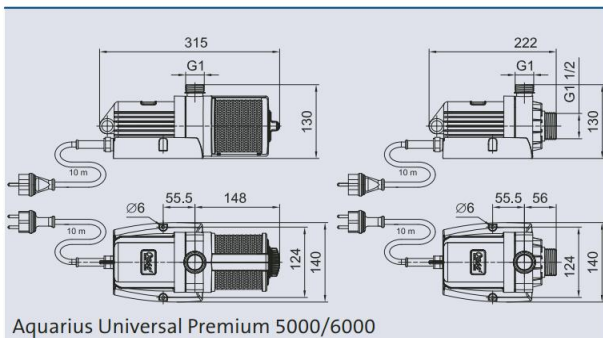


|                            | Fresh Water | Pool Water | Sea Water | 220-240 V | 400 V | 110-120 V | 50 Hz | 60 Hz | 12 V AC | 24 V DC | DMX | DMX/RDM | Plug and Spray |
|----------------------------|-------------|------------|-----------|-----------|-------|-----------|-------|-------|---------|---------|-----|---------|----------------|
| Aquarius Universal Premium |             |            |           |           |       |           |       |       |         |         |     |         |                |

## AQUARIUS UNIVERSAL PREMIUM 5000 – 12000

### Product characteristics at a glance

- Extremely quiet operation
- Easy adjustment of the flow rate
- Integrated thermal protection – from 600 onwards
- Suitable for wet or dry installations
- Energy-efficient thanks to low energy consumption
- Frost protected up to  $-20^{\circ}\text{C}$
- High-quality workmanship with stainless steel
- Priming even at low water levels
- Removable pedestal for installation where space is at a premium



| Aquarius Universal Premium       | 5000              | 6000  | 9000            | 12000 |
|----------------------------------|-------------------|-------|-----------------|-------|
| Dimensions (L x W x H) [mm]      | 315 x 140 x 130   |       | 337 x 161 x 158 |       |
| Rated voltage [V/Hz]             | 220–240 V / 50 Hz |       |                 |       |
| Power consumption [W]            | 85                | 110   | 195             | 270   |
| Power cable length [m]           | 10                |       |                 |       |
| Net weight [kg]                  | 3.40              | 3.50  | 5.40            | 5.45  |
| Max. flow rate [l/min]           | 83                | 100   | 150             | 200   |
| Max. flow rate [l/h]             | 5000              | 6000  | 9000            | 12000 |
| Max. head height [m]             | 4.50              | 5.00  | 6.00            | 7.00  |
| Connection, pressure-side [inch] | 1                 |       | 1 ½             |       |
| Connection, suction-side [inch]  | 1 ½               |       |                 |       |
| Connection for hoses [inch]      | 1, 1 ¼, 1 ½       |       |                 |       |
| Filter intake surface [cm²]      | 200               |       | 223             |       |
| Electronic adjustment            | Yes               |       |                 |       |
| Order no.                        | 56617             | 56637 | 56876           | 56879 |



|              |             |            |           |           |       |           |       |       |         |         |     |         |                |
|--------------|-------------|------------|-----------|-----------|-------|-----------|-------|-------|---------|---------|-----|---------|----------------|
|              | Fresh Water | Pool Water | Sea Water | 220-240 V | 400 V | 110-120 V | 50 Hz | 60 Hz | 12 V AC | 24 V DC | DMX | DMX/RDM | Plug and Spray |
| Atlantis 350 |             |            |           |           |       |           |       |       |         |         |     |         |                |

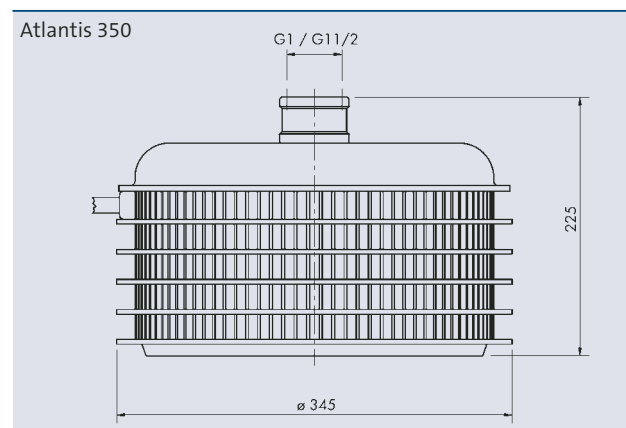
## ATLANTIS 350

This high-performance submersible water feature-/motor-driven pump has been specially designed for underwater operation in spray fountain installations. The use of high quality materials such as stainless steel, tombac, and glass-fibre reinforced materials underline its solid construction.

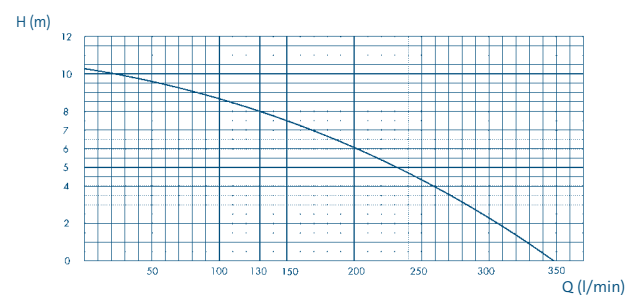
The pump has a robust wet-running canned motor and works without shaft seal. Motor, pump shaft and bearings are made of oxide ceramic, which contributes to endurance that is especially quiet with low friction.

### Product characteristics at a glance

- Symmetric form for maximum stability
- Robust wet-running canned motor
- High-volume filter basket made of high-quality plastic



Atlantis 350



Atlantis 350

| Atlantis 350             |        |   |
|--------------------------|--------|---|
| Dimensions (ø x H)       | [mm]   | 345 x 225                                   |
| Rated voltage            | [V/Hz] | 230 / 50                                    |
| Power consumption        | [W]    | 550   |
| Nominal current          | [A]    | 2.60  |
| Pressure side connection | [inch] | 1, 1 ½                                      |
| Filter surface           | [cm²]  | 1325  |
| Connection cable length  | [m]    | 10  |
| Material                 |        | Plastic / stainless steel 1.4301 (AISI 304) |
| Weight                   | [kg]   | 17  |
| <b>Order no.</b>         |        | <b>52004</b>                                |





|                     | Fresh Water | Pool Water | Sea Water | 220-240 V | 400 V | 110-120 V | 50 Hz | 60 Hz | 12 V AC | 24 V DC | DMX | DMX/RDM | Plug and Spray |
|---------------------|-------------|------------|-----------|-----------|-------|-----------|-------|-------|---------|---------|-----|---------|----------------|
| AquaMax Eco Gravity |             |            |           |           |       |           |       |       |         |         |     |         |                |

## AQUAMAX ECO GRAVITY 10000/15000/20000

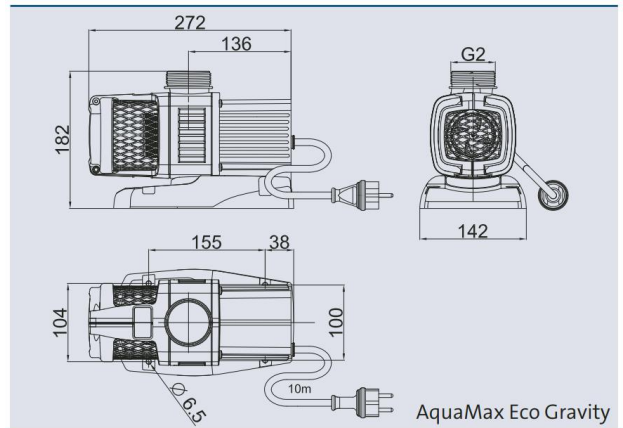
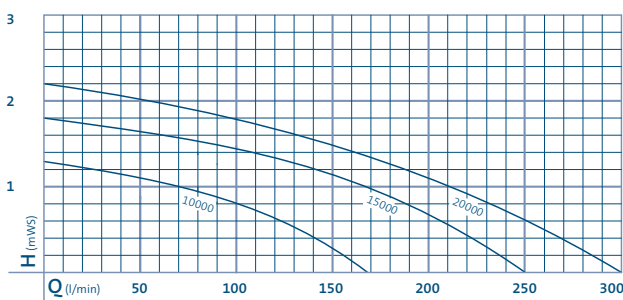
### Product characteristics at a glance

- Coarse pollutant displacement of particles up to 6 mm in size
- Flow-optimised impellers ensure a high-level of energy efficiency
- Long service life
- Suitable for wet or dry-installation

- Suitable for use in swim ponds and bathing ponds
- Includes adaptor set  
2"/DA 63 and DA 75/DA 100

Unique and highly economical filtration pumps: Especially developed to meet the requirements in gravity operated filter installations (gravitation principle).

AquaMax Eco Gravity 10000 – 20000



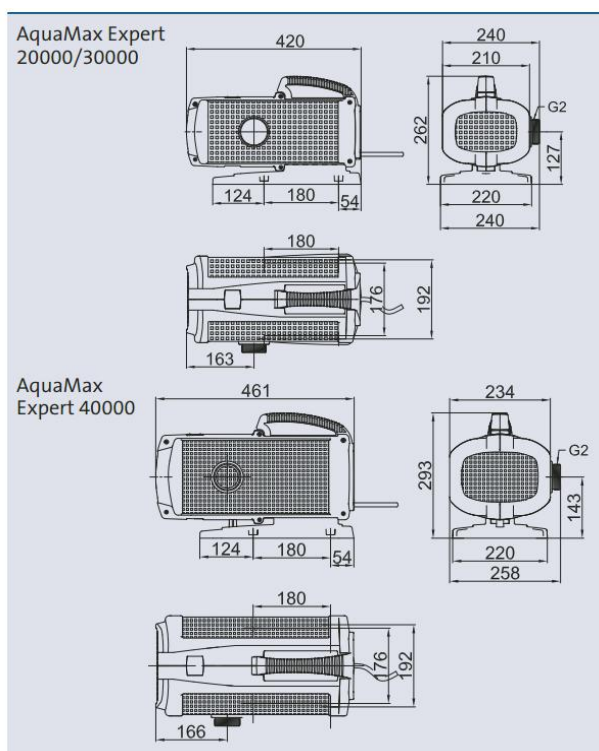
AquaMax Eco Gravity

| AquaMax Eco Gravity      |         | 10000               | 15000 | 20000 |
|--------------------------|---------|---------------------|-------|-------|
| Dimensions (L x W x H)   | [mm]    | 272 x 142 x 182     |       |       |
| Rated voltage            | [V/AC]  | 220 – 240 V / 50 Hz |       |       |
| Power consumption        | [W]     | 65                  | 85    | 120   |
| Nominal current          | [A]     | 0.57                | 0.41  | 0.54  |
| Litres per minute max.   | [l/min] | 167                 | 250   | 300   |
| Litres per hour max.     | [l/h]   | 10000               | 15000 | 18000 |
| Head height max.         | [m]     | 1.30                | 1.80  | 2.20  |
| Pressure-side connection |         | 2"                  | 2"    | 2"    |
| Suction-side connection  |         | 2"                  | 2"    | 2"    |
| Hose connection          |         | 2"                  | 2"    | 2"    |
| Weight                   | [kg]    | 4.20                | 4.50  | 4.50  |
| Cable length             | [m]     | 10.00               | 10.00 | 10.00 |
| Order no.                |         | 57091               | 57092 | 57093 |



|                |             |            |           |           |       |           |       |       |         |         |     |         |                |
|----------------|-------------|------------|-----------|-----------|-------|-----------|-------|-------|---------|---------|-----|---------|----------------|
|                | Fresh Water | Pool Water | Sea Water | 220-240 V | 400 V | 110-120 V | 50 Hz | 60 Hz | 12 V AC | 24 V DC | DMX | DMX/RDM | Plug and Spray |
| AquaMax Expert |             |            |           |           |       |           |       |       |         |         |     |         |                |

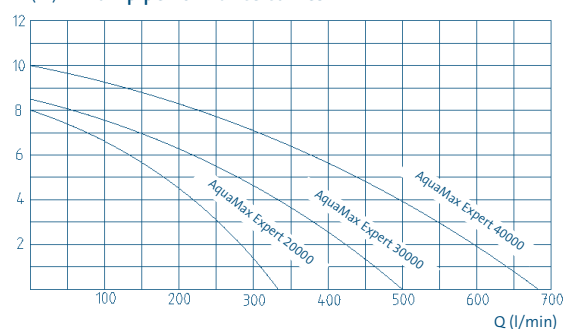
## AQUAMAX EXPERT 20000/30000/40000



### Product characteristics at a glance

- Outstanding flow rate
- Displacement of coarse particles up to 8 mm
- Extremely stable
- Can remain in the pond during winter even if frozen in completely
- Suitable for wet and dry installation
- Frost protected up to  $-20^{\circ}\text{C}$

H (m) Pump performance curves



| AquaMax Expert           |                    | 20000           | 30000           | 40000        |
|--------------------------|--------------------|-----------------|-----------------|--------------|
| Dimensions (L x W x H)   | [mm]               | 420 x 240 x 260 | 461 x 258 x 293 |              |
| Rated voltage            | [V/Hz]             | 220-240/50      | 220-240/50      | 220-240/50   |
| Power consumption        | [Watt]             | 450             | 650             | 1100         |
| Nominal current          | [A]                | 2.04            | 2.84            | 4.57         |
| Flow rate max.           | [l/min]            | 333             | 500             | 683          |
| Flow rate max.           | [l/h]              | 20000           | 30000           | 41000        |
| Head height max.         | [m]                | 8.00            | 8.50            | 10.00        |
| Hose connection          | [inch]             | 1 1/2", 2"      |                 |              |
| Pressure side connection | [inch]             | 2"              |                 |              |
| Suction side connection  | [inch]             | 2"              | 2"              | 2 1/2"       |
| Filter surface           | [cm <sup>2</sup> ] | 1320            | 1320            | 1620         |
| Weight                   | [kg]               | 13.90           | 13.90           | 19.20        |
| Cable length             | [m]                | 10              | 10              | 10           |
| <b>Order no.</b>         |                    | <b>56873</b>    | <b>56874</b>    | <b>56875</b> |







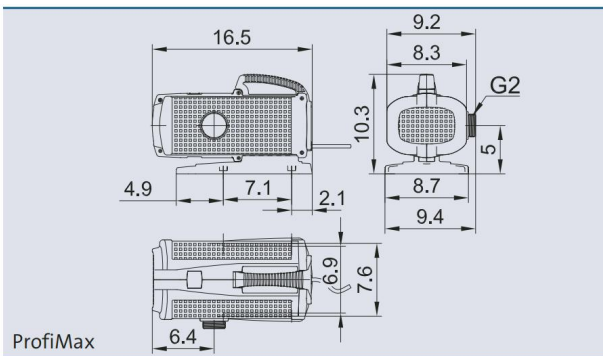
|               |             |            |           |           |       |           |       |       |         |         |     |         |                |
|---------------|-------------|------------|-----------|-----------|-------|-----------|-------|-------|---------|---------|-----|---------|----------------|
|               | Fresh Water | Pool Water | Sea Water | 220-240 V | 400 V | 110-120 V | 50 Hz | 60 Hz | 12 V AC | 24 V DC | DMX | DMX/RDM | Plug and Spray |
| ProfiMax 7000 |             |            |           |           |       |           |       |       |         |         |     |         |                |

## PROFIMAX 7000

ProfiMax is ideal for larger installations that demand higher flow rates or applications where the pump might be exposed to debris in the water. ProfiMax excels under these conditions. In addition, ProfiMax can be converted for use in in-line installations. As with all OASE pumps its feature is state-of-the-art motor technology with built-in overheating protection.

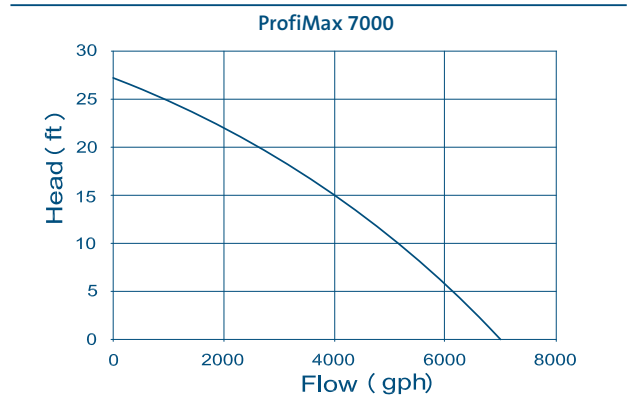
### Product characteristics at a glance

- Easily handles coarse debris up to 3/8 in.
- Large strainer size reduces maintenance.
- Ideal for large-scale filtration and water courses
- Submersed or in-line operation
- Electronically adjustable
- Frost protected up to  $-20^{\circ}\text{C}$



### Flexible operation

Rugged design allows for operation in a high flow skimmer such BioSys Skimmer XL or directly in the pond.



| ProfiMax          |             | 7000                 |
|-------------------|-------------|----------------------|
| Flow Rate         | [gph max.]  | 7000                 |
| Flow Rate         | [gpm max.]  | 117                  |
| Head              | [ft. max.]  | 28                   |
| Intake Connection | [inch]      | 2                    |
| Outlet Connection | [inch]      | 2                    |
| Strainer Surface  | [sq. in.]   | 251                  |
| Power Consumption | [W/A]       | 660 / 5.50           |
| Operating Voltage | [V/Hz]      | 110-120 / 60         |
| Connection Cable  | [ft.]       | 20                   |
| Dimensions        | [LxWxH in.] | 16.50 x 9.40 x 10.50 |
| Weight            | [lbs.]      | 33                   |
| <b>Order no.</b>  |             | <b>50296</b>         |





|                | Fresh Water | Pool Water | Sea Water | 220-240 V | 400 V | 110-120 V | 50 Hz | 60 Hz | 12 V AC | 24 V DC | DMX | DMX/RDM | Plug and Spray |
|----------------|-------------|------------|-----------|-----------|-------|-----------|-------|-------|---------|---------|-----|---------|----------------|
| Profinaut 6000 |             |            |           |           |       |           |       |       |         |         |     |         |                |

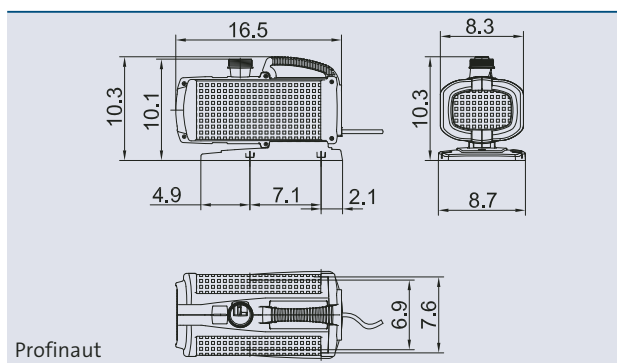
## PROFINAUT 6000

An excellent pump for producing impressive water displays in demanding applications. Head heights of up to 40 ft. make it a true powerhouse.

### Product characteristics at a glance

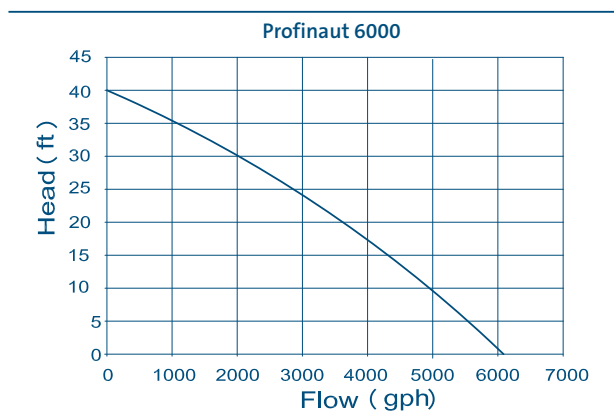
- Ergonomic handle, aligned with the pump's center of gravity, facilitates transport and installation.

- Compact, innovative stainless steel design.
- Frost protected up to  $-20^{\circ}\text{C}$
- Suitable for wet and dry installations
- Includes adapter set for connecting all 1 in. and 1 1/2 in. nozzles from the OASE range.
- Highly stable with excellent performance.



### Versatile application

Up to three Profinaut pumps can be installed in a BioSys Skimmer XL for very high water circulation volume and skimming action.



| Profinaut         |             | 6000         |
|-------------------|-------------|--------------|
| Flow Rate         | [gph max.]  | 6100         |
| Flow Rate         | [gpm max.]  | 102          |
| Head              | [ft. max.]  | 40           |
| Outlet Connection | [inch]      | 2            |
| Strainer Surface  | [sq. in.]   | 256          |
| Power Consumption | [W/A]       | 720 / 6.1    |
| Operating Voltage | [V/Hz]      | 110-120 / 60 |
| Power Cable       | [ft.]       | 20           |
| Dimensions        | [LxWxH in.] | 17 x 10 x 11 |
| Weight            | [lbs.]      | 33           |
| <b>Order no.</b>  |             | <b>57097</b> |



|             | Fresh Water | Pool Water | Sea Water | 220-240 V | 400 V | 110-120 V | 50 Hz | 60 Hz | 12 V AC | 24 V DC | DMX | DMX/RDM | Plug and Spray |
|-------------|-------------|------------|-----------|-----------|-------|-----------|-------|-------|---------|---------|-----|---------|----------------|
| USP 412 W   | ✓           | ✓          | ✓         | ✓         | ✓     | ✓         | ✓     | ✓     | ✓       | ✓       | ✓   | ✓       | ✓              |
| USP 413 D   | ✓           | ✓          | ✓         | ✓         | ✓     | ✓         | ✓     | ✓     | ✓       | ✓       | ✓   | ✓       | ✓              |
| USP 512 W   | ✓           | ✓          | ✓         | ✓         | ✓     | ✓         | ✓     | ✓     | ✓       | ✓       | ✓   | ✓       | ✓              |
| USP 513 D   | ✓           | ✓          | ✓         | ✓         | ✓     | ✓         | ✓     | ✓     | ✓       | ✓       | ✓   | ✓       | ✓              |
| USP 662 W   | ✓           | ✓          | ✓         | ✓         | ✓     | ✓         | ✓     | ✓     | ✓       | ✓       | ✓   | ✓       | ✓              |
| USP 663 D   | ✓           | ✓          | ✓         | ✓         | ✓     | ✓         | ✓     | ✓     | ✓       | ✓       | ✓   | ✓       | ✓              |
| USP 813 D   | ✓           | ✓          | ✓         | ✓         | ✓     | ✓         | ✓     | ✓     | ✓       | ✓       | ✓   | ✓       | ✓              |
| USP H 673 D | ✓           | ✓          | ✓         | ✓         | ✓     | ✓         | ✓     | ✓     | ✓       | ✓       | ✓   | ✓       | ✓              |

## USP 412 – USP 813

These pumps are true universal talents: Set up underwater they perform their work as submersible motor-driven pumps. They work just as reliably if they are set up in a separate pump chamber.

The robust wet-running canned motors have static seals. Inrushing water poses no problem for these pumps because they can be submersed. In addition thanks to the high-quality materials, such as special ceramics, stainless steel, and tombac, they are durable and offer an extremely long service life.

### Product characteristics at a glance

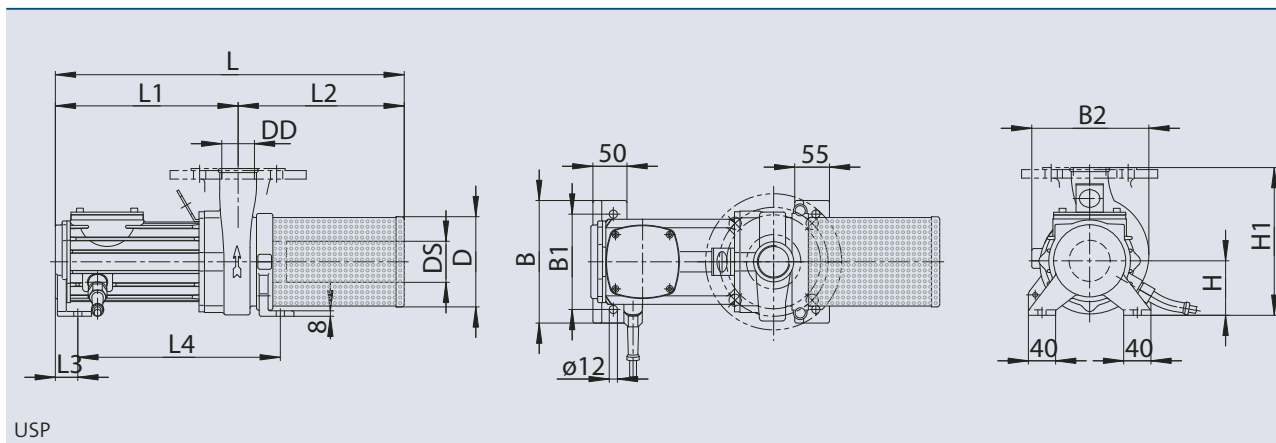
- Suitable for wet and dry installations
- Robust wet-running canned motor
- Wear-free static seals
- Bearings and motor shaft are made of special ceramics
- Shaft, can and pump impeller are made of stainless steel
- Housing made of corrosion resistant tombac alloy



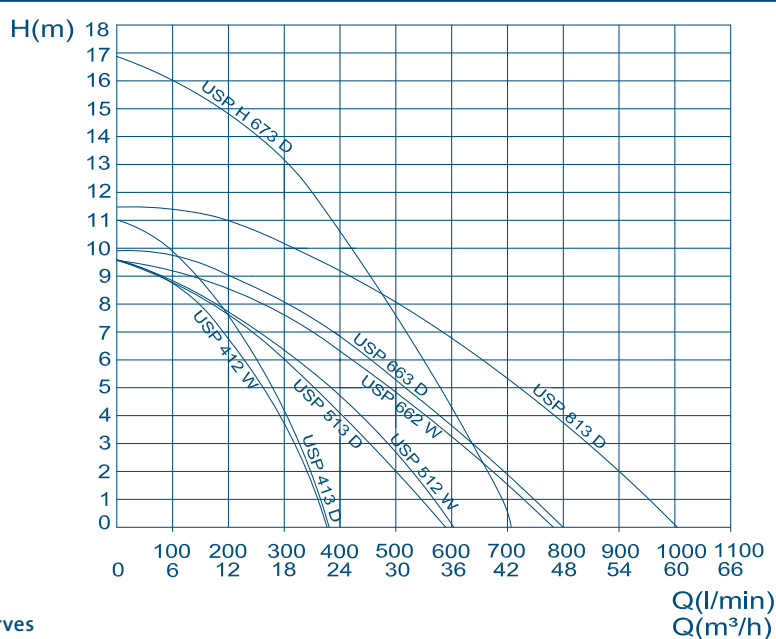
USP 412 W



USP 813 D



USP



Pump performance curves

|                         | USP 412 W  | USP 413 D       | USP 512 W       | USP 513 D       | USP 662 W       | USP 663 D       | USP 813 D       | USP H 673 D     |
|-------------------------|--|-----------------|-----------------|-----------------|-----------------|-----------------|-----------------|-----------------|
| Dimensions (LxWxH) [mm] | 512 x 180 x 220                                    | 512 x 180 x 220 | 551 x 240 x 280 | 551 x 240 x 280 | 679 x 240 x 310 | 679 x 240 x 310 | 696 x 240 x 290 | 679 x 240 x 310 |
| Voltage [V/Hz]          | 1x 230/50  | 3x 400/50       | 1x 230/50       | 3x 400/50       | 1x 230/50       | 3x 400/50       | 3x 400/50       | 3x 400/50       |
| Power output [kW]       | 0.52   | 0.49            | 0.60            | 0.77            | 1.12            | 1.18            | 1.50            | 1.55            |
| Current [A]             | 2.20   | 0.95            | 3.30            | 1.30            | 4.70            | 2.10            | 2.90            | 3.10            |
| B [mm]                  | 180  | 180             | 240             | 240             | 240             | 240             | 240             | 240             |
| B1 [mm]                 | 140  | 140             | 200             | 200             | 200             | 200             | 200             | 200             |
| B2 [mm]                 | 178  | 178             | 210             | 210             | 230             | 230             | 255             | 230             |
| DD [inch]               | 1 ½  | 1 ½             | 2               | 2               | 2 ½             | 2 ½             | DN 80           | 2 ½             |
| DS [inch]               | 2  | 2               | 2 ½             | 2 ½             | 3               | 3               | 3               | 3               |
| D [mm]                  | 130  | 130             | 150             | 150             | 170             | 170             | 200             | 170             |
| H [mm]                  | 80   | 80              | 115             | 115             | 115             | 115             | 115             | 115             |
| H1 [mm]                 | 220  | 220             | 280             | 280             | 310             | 310             | 290             | 310             |
| L [mm]                  | 512  | 512             | 551             | 551             | 679             | 679             | 696             | 679             |
| L1 [mm]                 | 268  | 268             | 252             | 252             | 305             | 305             | 308             | 305             |
| L2 [mm]                 | 244  | 244             | 299             | 299             | 374             | 374             | 388             | 374             |
| L3 [mm]                 | 33   | 33              | 36              | 36              | 36              | 36              | 36              | 36              |
| L4 [mm]                 | 297  | 297             | 285             | 285             | 330             | 330             | 347             | 330             |
| Cable length [m]        | 10   |                 |                 |                 |                 |                 |                 |                 |
| Material                | Tombac / stainless steel 1.4301 / Brass (AISI 304) |                 |                 |                 |                 |                 |                 |                 |
| Weight [kg]             | 22   | 22              | 31              | 31              | 37              | 37              | 42              | 37              |
| Order no.               | 55721  | 55720           | 55727           | 55726           | 55732           | 55731           | 55735           | 56506           |





|                                  | Fresh Water | Pool Water | Sea Water | 220-240 V | 400 V | 110-120 V | 50 Hz | 60 Hz | 12 V AC | 24 V DC | DMX | DMX/RDM | Plug and Spray |
|----------------------------------|-------------|------------|-----------|-----------|-------|-----------|-------|-------|---------|---------|-----|---------|----------------|
| BT 2.2 - 40 to BT 22.0 - 125 IE3 | ✓           | ✓          | ✓         | ✓         | ✓     | ✓         | ✓     | ✓     | ✓       | ✓       | ✓   | ✓       | ✓              |

## BT 2.2-40 TO BT 22.0-125 IE3

BT block centrifugal pumps are strong, uncomplicated pumps that are used wherever space is limited.

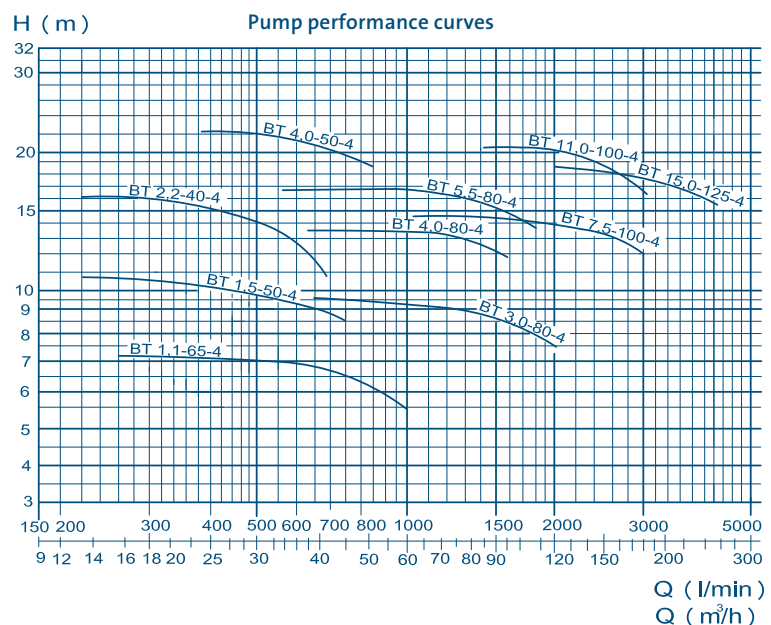
### Product characteristics at a glance

- Dimensions and connections in accordance with DIN standards
- Motor in accordance with new IE3-Technologie
- Maintenance-free slide ring seal
- Enclosed impeller with high efficiency
- Dry installation only
- IP 55 rated

Thanks to their compact design they have very small space requirements. All dimensions and connections are DIN standard; this ensures universal implementation. BT block centrifugal pumps are normal suction centrifugal pumps in spiral housings for dry installation with a motor in accordance with IEC standards. They comprise few parts that are important for their function, which reduces maintenance work to a minimum.

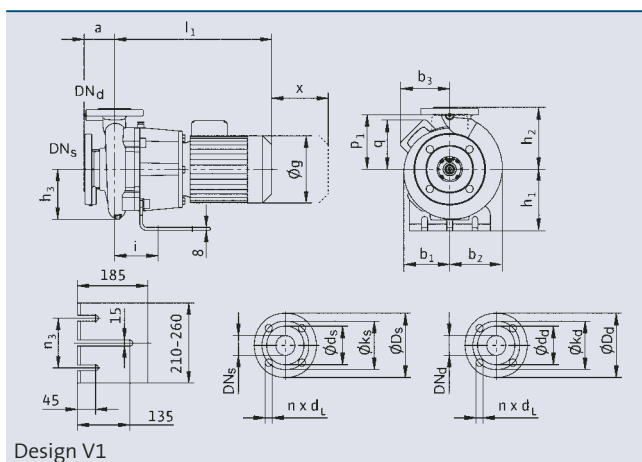


BT 2.2-40-4

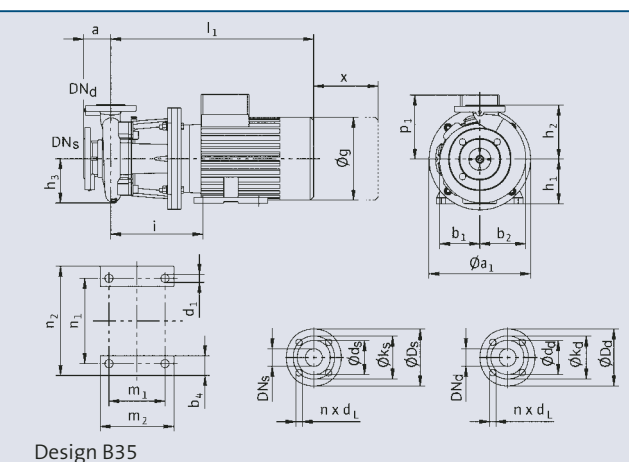


The few maintenance tasks that are necessary are executed quickly and easily. Thanks to the low rpm the pumps are very quiet in operation and are more durable. The enclosed impeller is highly efficient.

The robust BT block centrifugal pumps are delivered as standard in grey cast iron. Upon request these pumps can also be delivered in special materials, such as an impeller as bronze.



Design V1



Design B35

| IE 3               |           | 2.2-40-4    | 1.5-50-4    | 4.0-50-4    | 1.1-65-4    | 3.0-80-4    | 4.0-80-4    | 5.5-80-4    | 7.5-100-4   | 11.0-100-4  | 15.0-125-4   |
|--------------------|-----------|-------------|-------------|-------------|-------------|-------------|-------------|-------------|-------------|-------------|--------------|
| Dimensions (LxWxH) | [mm]      | 611x360x296 | 556x340x274 | 696x405x360 | 564x360x298 | 653x385x356 | 733x450x367 | 789x382x367 | 795x412x410 | 832x440x432 | 1011x515x514 |
| Power output       | [kW]      | 2.20        | 1.50        | 4           | 1.10        | 3           | 4           | 5.50        | 7.50        | 11          | 15           |
| Current            | [A]       | 4.90        | 3.60        | 8.20        | 2.30        | 6.50        | 8.20        | 11.10       | 14.90       | 22.00       | 29.80        |
| Voltage            | [V/50 Hz] | 400         | 400         | 400         | 400         | 400         | 400         | 400/YD      | 400/YD      | 400/YD      | 400/YD       |
| Design             |           | V1          | V1          | V1          | V1          | V1          | V1          | B35         | B35         | B35         | B35          |
| DN <sub>s</sub>    | [mm]      | 65          | 65          | 65          | 80          | 100         | 100         | 100         | 125         | 125         | 150          |
| DN <sub>d</sub>    | [mm]      | 40          | 50          | 50          | 65          | 80          | 80          | 80          | 100         | 100         | 125          |
| a                  | [mm]      | 100         | 100         | 100         | 100         | 125         | 125         | 125         | 125         | 140         | 140          |
| a <sub>1</sub>     | [mm]      |             |             |             |             |             |             | 300         | 300         | 350         | 350          |
| b <sub>1</sub>     | [mm]      | 145         | 127         | 174         | 136         | 160         | 170         | 170         | 176         | 200         | 252          |
| b <sub>2</sub>     | [mm]      | 151         | 147         | 186         | 162         | 196         | 197         | 197         | 211         | 232         | 294          |
| b <sub>3</sub>     | [mm]      |             | 144         |             | 144         | 155         |             |             |             |             |              |
| b <sub>4</sub>     | [mm]      |             |             |             |             |             |             | 53          | 53          | 60          | 60           |
| d <sub>1</sub>     | [mm]      |             |             |             |             |             |             | 12          | 12          | 15          | 15           |
| g                  | [mm]      | 217         | 193         | 246         | 193         | 220         | 246         | 276         | 312         | 312         | 312          |
| h <sub>1</sub>     | [mm]      | 180         | 160         | 200         | 160         | 180         | 200         | 132         | 132         | 160         | 180          |
| h <sub>2</sub>     | [mm]      | 180         | 180         | 225         | 200         | 225         | 250         | 250         | 280         | 280         | 355          |
| h <sub>3</sub>     | [mm]      | 145         | 152         | 179         | 155         | 178         | 178         | 178         | 196         | 219         | 250          |
| i                  | [mm]      | 124         | 122         | 131         | 130         | 137         | 143         | 318         | 311         | 383         | 345          |
| l <sub>1</sub>     | [mm]      | 512         | 455         | 621         | 463         | 528         | 633         | 663         | 698         | 745         | 831          |
| n <sub>3</sub>     | [mm]      | 180         | 130         | 180         | 130         | 130         |             |             |             |             |              |
| m <sub>1</sub>     | [mm]      |             |             |             |             |             |             | 140         | 178         | 210         | 254          |
| m <sub>2</sub>     | [mm]      |             |             |             |             |             |             | 180         | 218         | 256         | 300          |
| n <sub>1</sub>     | [mm]      |             |             |             |             |             |             | 216         | 216         | 254         | 254          |
| n <sub>2</sub>     | [mm]      |             |             |             |             |             |             | 256         | 256         | 300         | 300          |
| p <sub>1</sub>     | [mm]      | 160         |             | 188         |             |             | 188         | 188         | 250         | 250         | 250          |
| q                  | [mm]      |             | 144         |             | 144         | 155         |             |             |             |             |              |
| x                  | [mm]      | 105         | 120         | 110         | 120         | 135         | 120         | 120         | 120         | 130         | 170          |
| D <sub>s</sub>     | [mm]      | 185         | 185         | 185         | 200         | 220         | 220         | 220         | 250         | 250         | 285          |
| k <sub>s</sub>     | [mm]      | 145         | 145         | 145         | 160         | 180         | 180         | 180         | 210         | 210         | 240          |
| d <sub>s</sub>     | [mm]      | 118         | 118         | 118         | 132         | 156         | 156         | 156         | 184         | 184         | 211          |
| n <sub>s</sub>     | [mm]      | 4           | 4           | 4           | 8           | 8           | 8           | 8           | 8           | 8           | 8            |
| d <sub>Ls</sub>    | [mm]      | 19          | 19          | 19          | 19          | 19          | 19          | 19          | 19          | 19          | 23           |
| D <sub>d</sub>     | [mm]      | 150         | 165         | 165         | 185         | 200         | 200         | 200         | 220         | 220         | 250          |
| k <sub>d</sub>     | [mm]      | 110         | 125         | 125         | 145         | 160         | 160         | 160         | 180         | 180         | 210          |
| d <sub>d</sub>     | [mm]      | 84          | 99          | 99          | 118         | 132         | 132         | 132         | 156         | 156         | 184          |
| n <sub>d</sub>     | [mm]      | 4           | 4           | 4           | 4           | 8           | 8           | 8           | 8           | 8           | 8            |
| d <sub>Ld</sub>    | [mm]      | 19          | 19          | 19          | 19          | 19          | 19          | 19          | 19          | 19          | 19           |
| Material           |           | GG          | GG          | GG          | GG          | GG          | GG          | GG          | GG          | GG          | GG           |
| Weight             | [kg]      | 76          | 60          | 96          | 61          | 95          | 106         | 143         | 156         | 215         | 245          |
| Order no.          |           | 45305       | 45306       | 45307       | 45308       | 45309       | 45310       | 45311       | 45312       | 45313       | 45314        |



|                  | Fresh Water | Pool Water | Sea Water | 220-240 V | 400 V | 110-120 V | 50 Hz | 60 Hz | 12 V AC | 24 V DC | DMX | DMX/RDM | Plug and Spray |
|------------------|-------------|------------|-----------|-----------|-------|-----------|-------|-------|---------|---------|-----|---------|----------------|
| SPA 22 - SPA 280 |             |            |           |           |       |           |       |       |         |         |     |         |                |

\* Pool-, seawater product version on request

## SPA 22 - SPA 280

These multistage structured submersible motor-driven pumps are the powerful heart for high delivery heads.

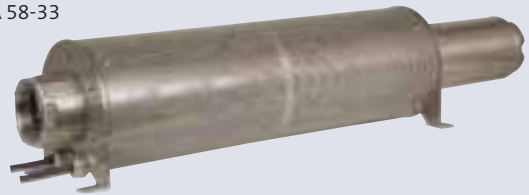
These pumps can supply single fountains as well as group fountains with sufficient water volumes and pressure for larger spray heights. Thus they are preferred in installations in which the delivery head of single-stage pumps are no longer required.

\*Contact OASE before ordering a Pool or a Sea Water SPA pump. Technical specifications of this model (58903) may vary.

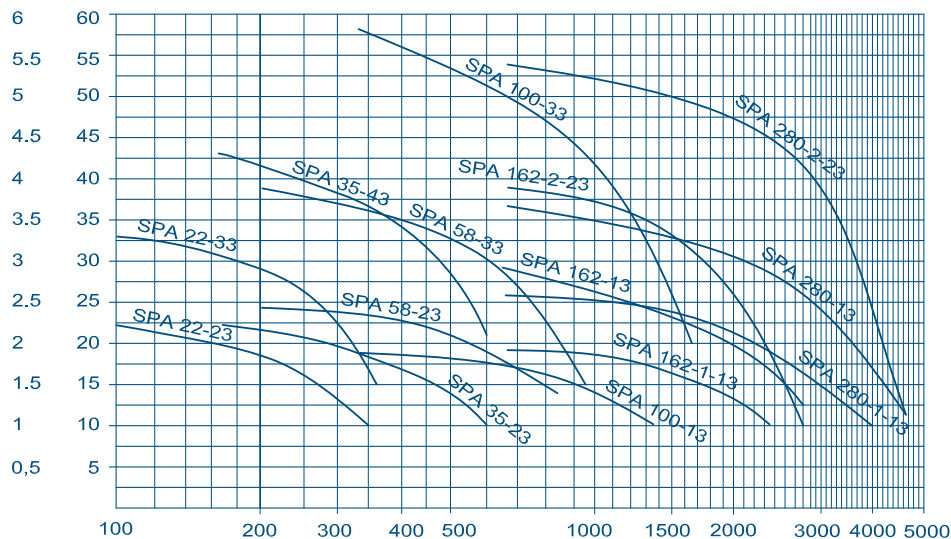
### Product characteristics at a glance

- Extremely shallow and slender design
- Multistage submersible motor pump
- Suitable for higher delivery heights
- High-volume filter basket
- Good stability
- Robust wet-running canned motor
- All parts made of stainless steel

SPA 58-33



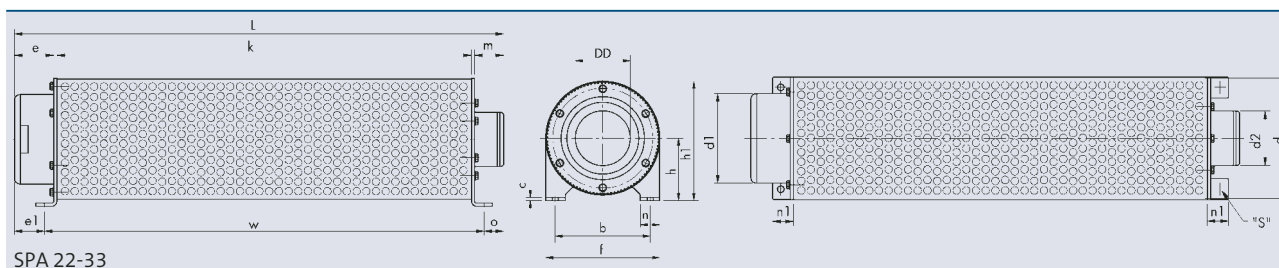
bar H(m)



Pump performance curves

Q(l/min)





SPA 22-33

|                         | SPA 22-23                         | SPA 22-33    | SPA 35-23    | SPA 35-43    | SPA 58-23    | SPA 58-33    | SPA 100-13   |
|-------------------------|-----------------------------------|--------------|--------------|--------------|--------------|--------------|--------------|
| Dimensions (LxWxH) [mm] | 680x225x229                       | 888x225x229  | 898x225x229  | 1211x225x229 | 970x225x229  | 1150x225x229 | 1162x310x314 |
| Voltage [V/Hz]          | 3 x 400/50                        |              |              |              |              |              |              |
| Power output [kW]       | 1.10                              | 2.20         | 2.20         | 4.0          | 3            | 5.50         | 5.50         |
| Current [A]             | 2.75                              | 6            | 6            | 9.6          | 7.85         | 13.60        | 13.60        |
| b [mm]                  | 189                               | 189          | 189          | 189          | 189          | 189          | 274          |
| c [mm]                  | 4                                 | 4            | 4            | 4            | 4            | 4            | 4            |
| DD (Rp) [inch]          | 2.5                               | 2.5          | 3            | 3            | 3            | 3            | 5            |
| d [mm]                  | 225                               | 225          | 225          | 225          | 225          | 225          | 310          |
| d1 [mm]                 | 131                               | 131          | 131          | 131          | 141          | 150          | 186          |
| d2 [mm]                 | 95                                | 95           | 95           | 95           | 95           | 138          | 138          |
| e [mm]                  | 80                                | 80           | 80           | 80           | 100          | 100          | 120          |
| e1 [mm]                 | 57                                | 57           | 57           | 57           | 77           | 77           | 97           |
| f [mm]                  | 229                               | 229          | 229          | 229          | 229          | 229          | 314          |
| h [mm]                  | 123                               | 123          | 123          | 123          | 123          | 123          | 165          |
| h1 [mm]                 | 237                               | 237          | 237          | 237          | 237          | 237          | 322          |
| k [mm]                  | 500                               | 500          | 500          | 750          | 750          | 750          | 750          |
| L [mm]                  | 680                               | 888          | 898          | 1211         | 970          | 1150         | 1162         |
| m [mm]                  | 92                                | 300          | 310          | 373          | 112          | 292          | 284          |
| n [mm]                  | 40                                | 40           | 40           | 40           | 40           | 40           | 40           |
| n1 [mm]                 | 44                                | 44           | 44           | 44           | 44           | 44           | 44           |
| o [mm]                  | 69                                | 277          | 287          | 350          | 89           | 269          | 261          |
| w [mm]                  | 554                               | 554          | 554          | 804          | 804          | 804          | 804          |
| s [mm]                  | 11                                | 11           | 11           | 11           | 11           | 11           | 11           |
| Cable length [m]        | 10                                |              |              |              |              |              |              |
| Material                | Stainless steel 1.4301 (AISI 304) |              |              |              |              |              |              |
| Weight [kg]             | 20                                | 28           | 28           | 37           | 31           | 54           | 66           |
| Order no.               | 53834                             | 53835        | 53839        | 53841        | 53845        | 53846        | 53852        |
|                         | SPA 100-33                        | SPA 162-1-13 | SPA 162-13   | SPA 162-2-23 | SPA 280-1-13 | SPA 280-13   | SPA 280-2-23 |
| Dimensions (LxWxH) [mm] | 1508x310x314                      | 1165x310x314 | 1255x310x314 | 1441x310x314 | 1489x310x314 | 1544x310x314 | 1910x310x314 |
| Voltage [V/Hz]          | 3x 400/50                         |              |              |              |              |              |              |
| Power output [kW]       | 11                                | 7.50         | 11           | 13           | 15           | 18.50        | 30           |
| Current [A]             | 24.80                             | 17.60        | 24.80        | 30           | 34           | 42           | 66.50        |
| b [mm]                  | 274                               | 274          | 274          | 274          | 274          | 274          | 274          |
| c [mm]                  | 4                                 | 4            | 4            | 4            | 4            | 4            | 4            |
| DD (Rp) [inch]          | 5                                 | 6            | 6            | 6            | 6            | 6            | 6            |
| d [mm]                  | 310                               | 310          | 310          | 310          | 310          | 310          | 310          |
| d1 [mm]                 | 186                               | 218          | 218          | 218          | 247          | 247          | 247          |
| d2 [mm]                 | 138                               | 138          | 138          | 138          | 138          | 138          | 138          |
| e [mm]                  | 120                               | 120          | 120          | 120          | 120          | 120          | 120          |
| e1 [mm]                 | 97                                | 92           | 92           | 92           | 96           | 96           | 96           |
| f [mm]                  | 314                               | 314          | 314          | 314          | 314          | 314          | 314          |
| h [mm]                  | 165                               | 165          | 165          | 165          | 165          | 165          | 165          |
| h1 [mm]                 | 322                               | 322          | 322          | 322          | 322          | 322          | 322          |
| k [mm]                  | 1000                              | 750          | 750          | 1000         | 1000         | 1250         | 1500         |
| L [mm]                  | 1508                              | 1165         | 1255         | 1441         | 1489         | 1544         | 1910         |
| m [mm]                  | 380                               | 287          | 377          | 313          | 361          | 166          | 282          |
| n [mm]                  | 40                                | 40           | 40           | 40           | 40           | 40           | 40           |
| n1 [mm]                 | 44                                | 44           | 44           | 44           | 44           | 44           | 44           |
| o [mm]                  | 357                               | 269          | 359          | 295          | 339          | 144          | 260          |
| w [mm]                  | 1054                              | 804          | 804          | 1054         | 1054         | 1304         | 1554         |
| s [mm]                  | 11                                | 11           | 11           | 11           | 11           | 11           | 11           |
| Cable length [m]        | 10                                |              |              |              |              |              |              |
| Material                | Stainless steel 1.4301 (AISI 304) |              |              |              |              |              |              |
| Weight [kg]             | 91                                | 85           | 93           | 103          | 104          | 111          | 132          |
| Order no.               | 53854                             | 53858        | 53859        | 53860        | 53864        | 53865        | 53866        |

# ACCESSORIES

FOR PROFESSIONAL SYSTEMS



**Construction of a professional spray fountain system, a large fountain or perfectly planned water features is an extremely challenging task. The high-quality accessories from OASE are designed to help you meet that challenge.**

Planning has finally been completed, all desires and requirements have been taken into consideration, the terrain has been probed and the perfect solution has been found. Implementation is now the issue at hand – and sometimes, the devil is in the details.

OASE offers sophisticated accessories for all eventualities so that you can implement your ideas just as perfectly as they have been planned. They prevent you from unpleasant surprises in the implementation.





## 228 Accessories

- 230 Underground niches
- 232 Floor drain armatures
- 234 Overflow / Drain armatures
- 236 Return armatures
- 238 Inflow nozzles
- 238 Floor-/wall transitions
- 240 Overflow-/return armatures
- 242 Suction filter baskets
- 244 Fittings

### CAPACITY

**LOCATION: ISTANBUL/TURKEY**

The fountain with music and laser system is installed in an existing shopping mal in Istanbul.



*Nozzle-Chamber Vario*



*Suction filter basket*



*Fittings*





|                       | Fresh Water | Pool Water | Sea Water | 220-240 V | 400 V | 110-120 V | 50 Hz | 60 Hz | 12 V AC | 24 V DC | DMX | DMX/RDM | Plug and Spray |
|-----------------------|-------------|------------|-----------|-----------|-------|-----------|-------|-------|---------|---------|-----|---------|----------------|
| Nozzle-Chamber Single |             |            |           |           |       |           |       |       |         |         |     |         |                |
| Nozzle-Chamber Vario  |             |            |           |           |       |           |       |       |         |         |     |         |                |

## NOZZLE-CHAMBER SINGLE / VARIO

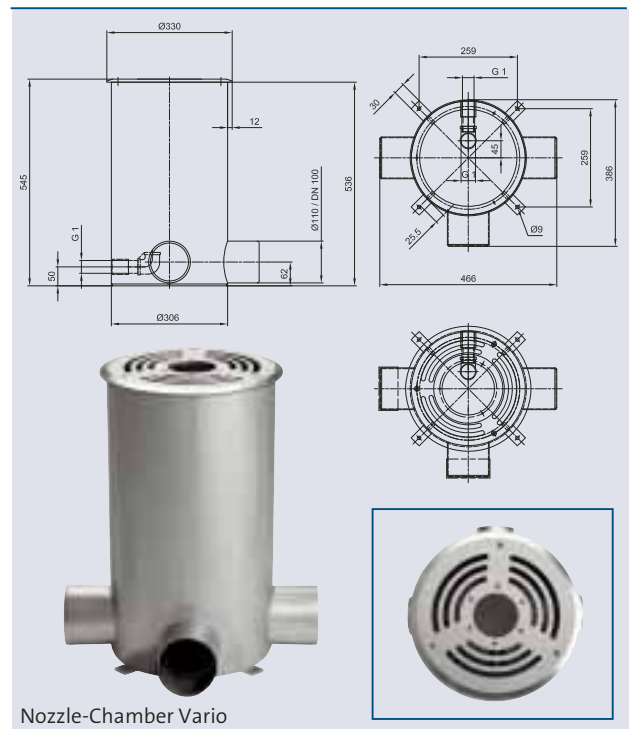
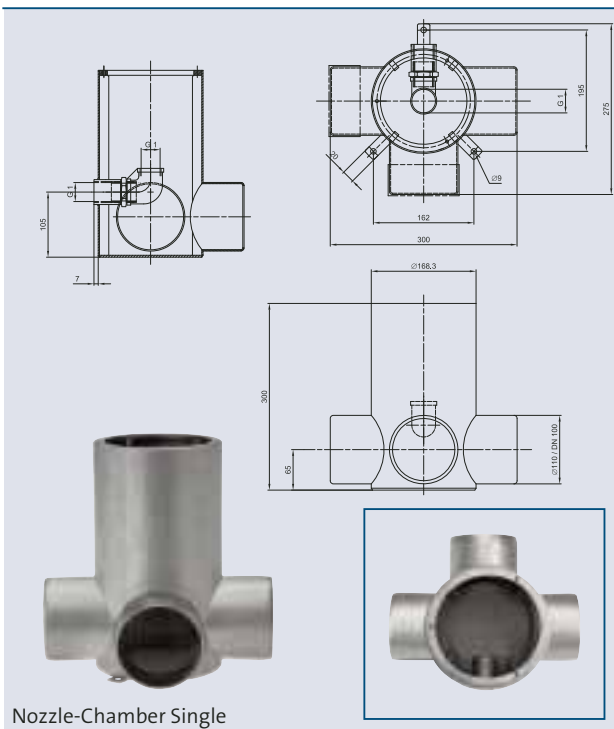
Compact water installations – even without a large pool can be quickly and easily implemented your design ideas in free spaces. The underground niches Nozzle-Chamber Single and Nozzle-Chamber Vario, offer ideal conditions for the uncomplicated installation of attractive water-light combinations without an open water surface. The Nozzle-Chamber Single is ideal for underground installation of the ProfiPlane LED 320/DMX/02 or our Comet and Schaumsprudler fountain jets. With the Nozzle-Chamber Vario you can also easily install the Vario-Switch 010a under-

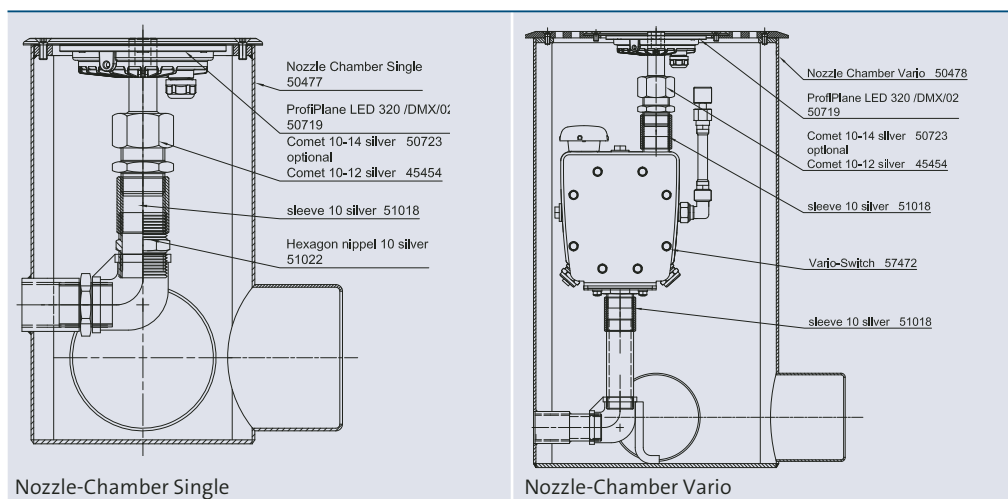
ground with the ProfiPlane LED 320/DMX/02 or the Comet and Schaumsprudler fountain jets.

### Product characteristics at a glance

- Ideal for installation in open areas and multi-functional areas
- Easy installation
- With 3 DA 110 / DN 100 connections and 2 sealing caps
- G 1" pressure connection including 90° angle
- High-quality, robust stainless steel construction

For details of Vario Switch 010a, see page 22.

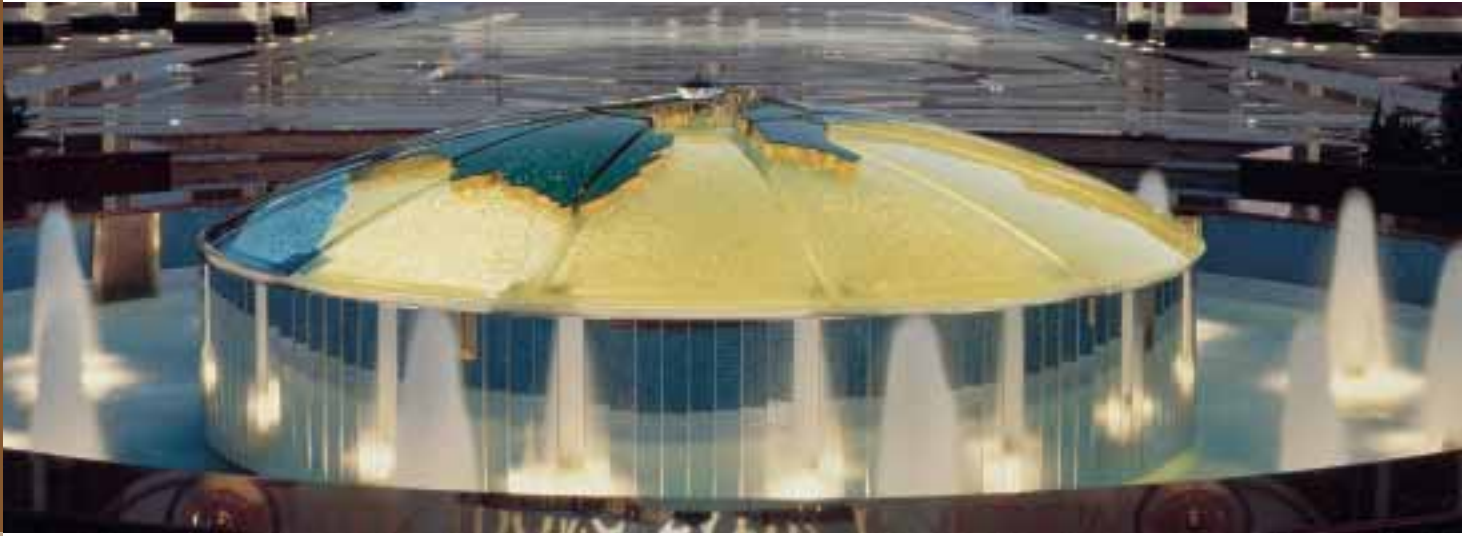




Nozzle-Chamber Single

Nozzle-Chamber Vario

|                             |  |   |  |  |  |
|-----------------------------|--|---|--|--|--|
| <b>NEW</b>                  | <b>5</b>   |   | <ul style="list-style-type: none"> <li>- Graphic shows special coverplate</li> <li>- Individual solution available on request</li> </ul> |  | <ul style="list-style-type: none"> <li>- Graphic shows special coverplate</li> <li>- Individual solution available on request</li> </ul> |
|                             |  | Individual coverplate for Nozzle-Chamber Single |  | Individual coverplate for Nozzle-Chamber Vario             |  |
| Order no.                   |  | 58902   |  | 58902  |  |
| <b>4</b>                    |  | ProfiPlane LED 320/DMX/02 (see page 128)        |  |  | ProfiPlane LED 320/DMX/02 (see page 128)   |
| Order no.                   |  | 50719   |  | 50719  |  |
| <b>3</b>                    |  | Comet 10-12 Silver (see page 42)                | Comet 10-14 Silver (see page 42)   |  | Comet 10-14 Silver (see page 42)   |
| Order no.                   |  | 50723   | 50968  | 50723  | 50968  |
| <b>2</b>                    | can also be connected to other nozzles (e.g. Schaumsprudler 35-10 E) |   |  |  | Vario-Switch 010a/24V (see page 22)  |
| Order no.                   |  |   |  |  | 51018  |
| <b>1</b>                    |  | Nozzle-Chamber Single                           |  |  | Nozzle-Chamber Vario   |
| Dimensions (L x W x H) [mm] | 300 x 275 x 300  |   |  | 466 x 386 x 536  |  |
| Pressure connection [inch]  | 1  |   |  |  |  |
| Connection drain            | 3 x Ø 110/DN 100   |   |  |  |  |
| Material                    | Stainless steel 1.4301 (AISI 304)                                    |   |  | Stainless steel 1.4301 / 1.4571 / Brass (AISI 304 / 316Ti) |  |
| Weight [kg]                 | 5.5  |   |  | 23.0   |  |
| Order no.                   | 50477  |   |  | 50478  |  |



|                       | Fresh Water | Pool Water | Sea Water | 220-240 V | 400 V | 110-120 V | 50 Hz | 60 Hz | 12 V AC | 24 V DC | DMX | DMX/RDM | Plug and Spray |
|-----------------------|-------------|------------|-----------|-----------|-------|-----------|-------|-------|---------|---------|-----|---------|----------------|
| Floor drain armatures |             |            |           |           |       |           |       |       |         |         |     |         |                |

## FLOOR DRAIN ARMATURES

Concrete or liner pools can be easily emptied via OASE floor drains. The drains are available with plug or with sieve.

Subsurface installation of a slide valve is required for discharging the models with debris sieve. Suitable cover sieves for the floor drains prevent excessive debris from getting into the drain (accessories).

The floor components of the drain armatures have concrete sealing flanges and can simply be inserted and cemented into the muffs of the drain pipes. Appropriate bores are available for connection to the equipotential bonding.

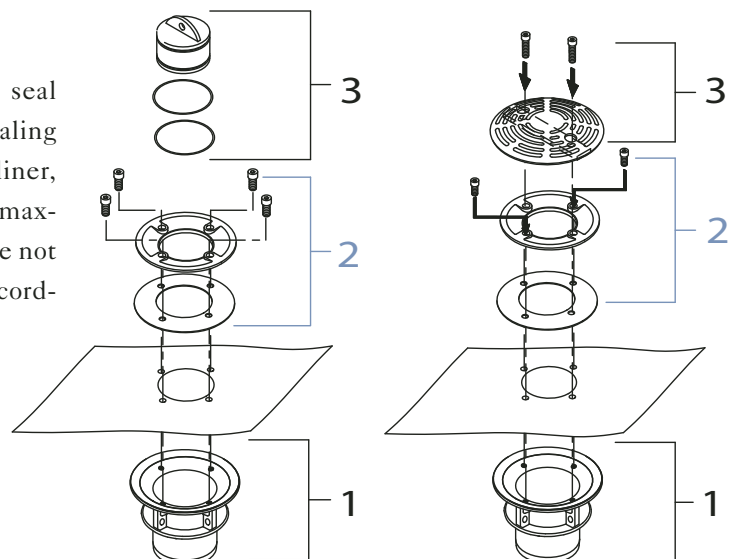
Appropriate liner clamping flanges with seal and bolts are available for flanging and sealing to liner. They are suitable for normal pool liner, with or without textile reinforcement and a maximum thickness of 2.5 mm, however they are not suitable for waterproofing membranes in accordance with DIN 18195.

**1** The concrete part is the basis of every configuration. Available for DN 70 and / or DN 100 pipes.

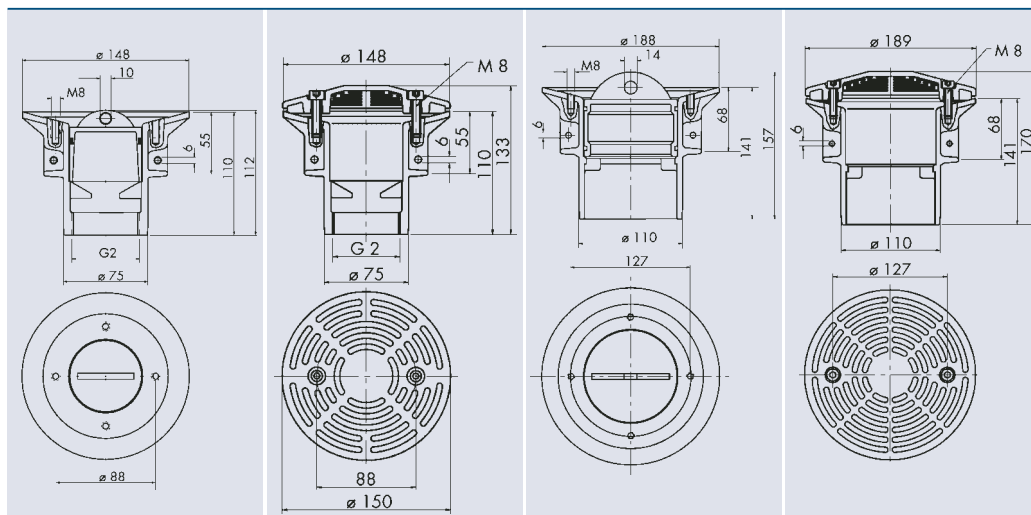
**2** The clamping flange is for fastening with liner. Products with cable transitions are listed on page 156.

**This position can be used optionally.**

**3** Depending on the requirement a decision is made at this point concerning the specific implementation: Plug, sieve, overflow or level regulator...







|                     |   |   |  |   |
|---------------------|---|---|--|---|
| <h1>3</h1>          |  |  |  |  |
|                     | <b>Plug 70 T</b>  | <b>Debris sieve 70 E</b>  | <b>Plug 100 T</b>  | <b>Debris sieve 100 E</b>   |
| Dimensions (ø) [mm] | 70  | 150   | 100  | 190   |
| Designation         | plug  | debris sieve  | plug   | debris sieve  |
| DN                  | 70  | 70  | 100  | 100   |
| Material            | Tombac  | Stainless steel 1.4301 (AISI 304)   | Tombac   | Stainless steel 1.4301 (AISI 304)   |
| Weight [kg]         | 0.6   | 0.6   | 0.9  | 0.7   |
| <b>Order no.</b>    | <b>57468</b>  | <b>51973</b>  | <b>57462</b>   | <b>51974</b>  |

|                          |   |   |
|--------------------------|---|---|
| <h1>2</h1><br>(optional) |  |  |
|                          | <b>Liner clamping flange 70 T</b>   | <b>Liner clamping flange 100 T</b>  |
| Dimensions (ø) [mm]      | 148 x 14  | 188 x 16  |
| Designation              | liner clamping flange   | liner clamping flange   |
| DN                       | 70  | 100   |
| Material                 | Tombac  | Tombac  |
| Weight [kg]              | 1.1   | 1.4   |
| <b>Order no.</b>         | <b>51108</b>  | <b>51117</b>  |

|                         |   |   |
|-------------------------|---|---|
| <h1>1</h1>              |  |  |
|                         | <b>Concrete part 70 T</b>   | <b>Concrete part 100 T</b>  |
| Dimensions (ø x H) [mm] | 70 x 110  | 100 x 141   |
| Designation             | concrete part   | concrete part   |
| DN [mm]/[inch]          | 70 / 2"   | 100   |
| Material                | Tombac  | Tombac  |
| Weight [kg]             | 2.1   | 3.2   |
| <b>Order no.</b>        | <b>57471</b>  | <b>57467</b>  |



|                          | Fresh Water | Pool Water | Sea Water | 220-240 V | 400 V | 110-120 V | 50 Hz | 60 Hz | 12 V AC | 24 V DC | DMX | DMX/RDM | Plug and Spray |
|--------------------------|-------------|------------|-----------|-----------|-------|-----------|-------|-------|---------|---------|-----|---------|----------------|
| Overflow/drain armatures |             |            |           |           |       |           |       |       |         |         |     |         |                |

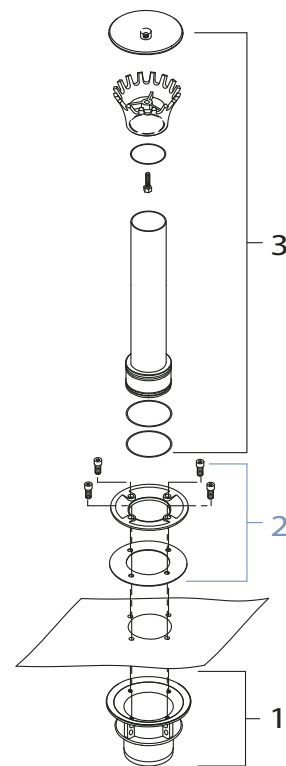
## OVERFLOW / DRAIN ARMATURES

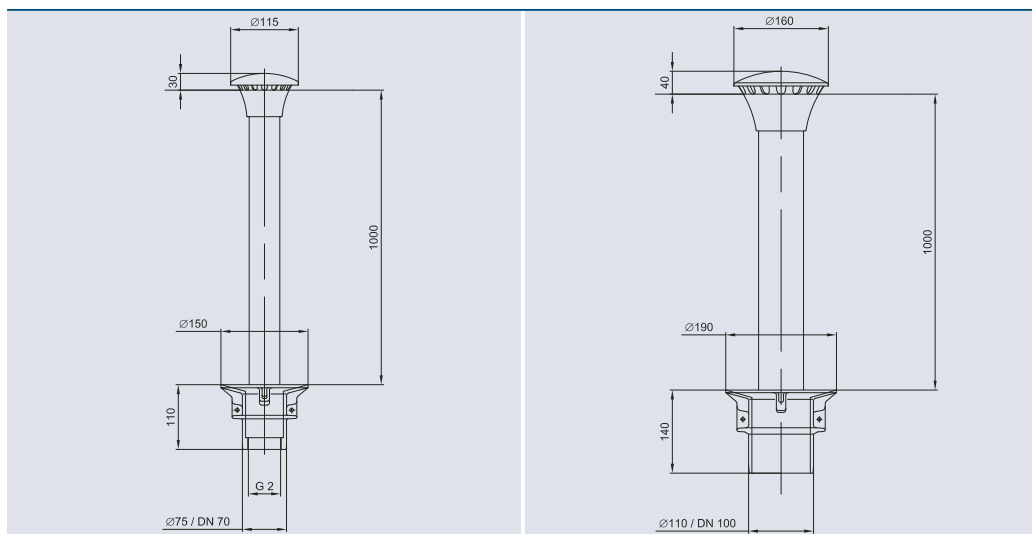
The optimal combination of overflow and drain: An overflow pipe inserted in the drain discharges excess water from filled pools. It is simply pulled out to empty the pool.

The overflow pipe with overflow crown has a standard length of 1000 mm, however it can be shortened to adapt to a lower water level. A debris/winter sieve can also be ordered for protection against coarse debris (see page 232).


### Product characteristics at a glance

- Optimal combination of overflow and drain
- Easy installation
- For water levels from 0 to 1000 mm
- Stainless steel standpipe
- Cast parts are made of corrosion-resistant tombac alloy





|                         |   |   |
|-------------------------|---|---|
| <h1>3</h1>              |  |  |
|                         | <b>Overflow/drain armature 70 / 1000 T</b>  | <b>Overflow/drain armature 100 / 1000 T</b>   |
| Dimensions (ø x H) [mm] | 115 x 1054  | 160 x 1108  |
| Designation             | overflow / drain armature   | overflow / drain armature   |
| DN                      | 70  | 100   |
| Material                | Tombac / stainless steel  | Tombac / stainless steel  |
| Weight [kg]             | 3.2   | 7.2   |
| <b>Order no.</b>        | <b>57469</b>  | <b>57463</b>  |

|                          |   |   |
|--------------------------|---|---|
| <h1>2</h1><br>(optional) |  |  |
|                          | <b>Liner clamping flange 70 T</b>   | <b>Liner clamping flange 100 T</b>  |
| Dimensions (ø x H) [mm]  | 148 x 14  | 188 x 16  |
| Designation              | liner clamping flange   | liner clamping flange   |
| DN                       | 70  | 100   |
| Material                 | Tombac  | Tombac  |
| Weight [kg]              | 0.9   | 1.1   |
| <b>Order no.</b>         | <b>51108</b>  | <b>51117</b>  |

|                         |   |   |
|-------------------------|---|---|
| <h1>1</h1>              |  |  |
|                         | <b>Concrete part 70 T</b>   | <b>Concrete part 100 T</b>  |
| Dimensions (ø x H) [mm] | 70 x 110  | 100 x 141   |
| Designation             | concrete part   | concrete part   |
| DN [mm] / [inch]        | 70 / 2"   | 100   |
| Material                | Tombac  | Tombac  |
| Weight [kg]             | 2.1   | 3.2   |
| <b>Order no.</b>        | <b>57471</b>  | <b>57467</b>  |





|                 | Fresh Water | Pool Water | Sea Water | 220-240 V | 400 V | 110-120 V | 50 Hz | 60 Hz | 12 V AC | 24 V DC | DMX | DMX/RDM | Plug and Spray |
|-----------------|-------------|------------|-----------|-----------|-------|-----------|-------|-------|---------|---------|-----|---------|----------------|
| Return armature |             |            |           |           |       |           |       |       |         |         |     |         |                |

## RETURN ARMATURE

Return armatures channel the water from the pool back to the water reservoir and thus closing the water circuit. Size and quantity are calculated on the basis of the water volume flowing through the circuit.

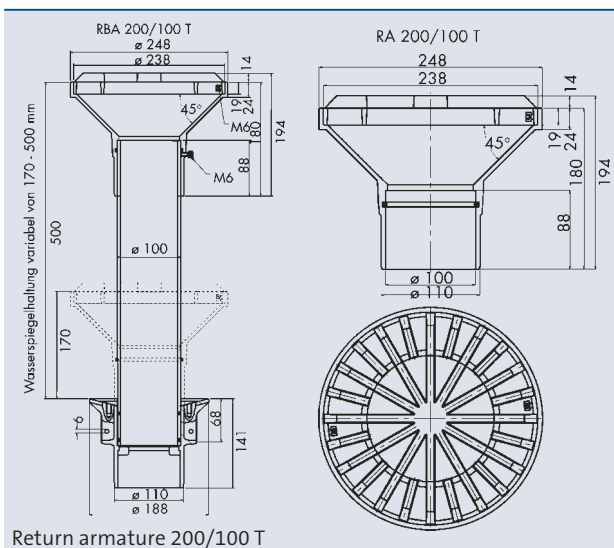
For safety reasons at least two return armatures must be provided. A maximum return speed of 0.6 m/s should serve as the basis for calculating the nominal return diameter.

The standpipe 100/500 T can be shortened for adaption to the water level. For a constant water level the armatures can be pushed onto the slightly chamfered pipes. Otherwise the return armature 200/100 T is simply inserted in the muffs of the drain pipes and embedded in concrete.

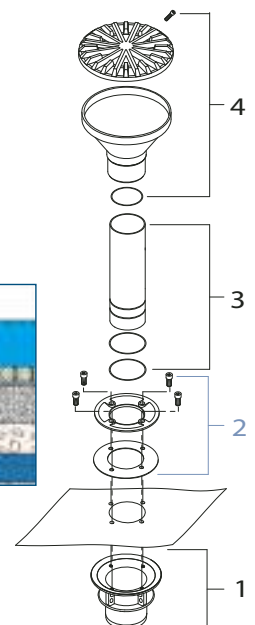
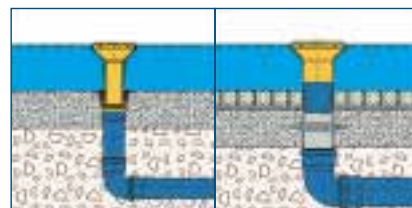
The floor part has a concrete sealing flange and can easily be inserted in the muffs of the drain pipe and embedded in concrete. Appropriate bores are available for connection to the equipotential bonding. Appropriate liner clamping flanges with seal and bolts are available for flanging and sealing to liner. They are suitable for normal pool liner, with or without textile reinforcement, and a maximum thickness of 2.5 mm, however they are not suitable for waterproofing membranes in accordance with DIN 18195.


### Product characteristics at a glance

- Large and effective debris sieves
- Cast parts are made of corrosion-resistant tombac alloy
- Easy installation
- Versatile implementation




Return armature 200/100 T



|                                    |  |
|------------------------------------|--|
| <h1>4</h1>                         |  |
| <b>Return armature 200 / 100 T</b> |  |
| Dimensions (ø x H) [mm]            | 248 x 194  |
| Designation                        | return armature  |
| DN                                 | 100  |
| Material                           | Tombac   |
| Weight [kg]                        | 8.5  |
| <b>Order no.</b>                   | <b>51123</b>   |

|                            |   |
|----------------------------|---|
| <h1>3</h1>                 |  |
| <b>Standpipe 100/500 T</b> |   |
| Dimensions (ø x H) [mm]    | 110 x 170-500 (variable)  |
| Designation                | standpipe   |
| DN                         | 100   |
| Material                   | Stainless steel 1.4301 (AISI 304)   |
| Weight [kg]                | 4.5   |
| <b>Order no.</b>           | <b>57466</b>  |

|                                    |  |
|------------------------------------|--|
| <h1>2</h1><br>(optional)           |  |
| <b>Liner clamping flange 100 T</b> |  |
| Dimensions (ø x H) [mm]            | 188 x 16   |
| Designation                        | liner clamping flange  |
| DN                                 | 100  |
| Material                           | Tombac   |
| Weight [kg]                        | 1.1  |
| <b>Order no.</b>                   | <b>51117</b>   |

|                            |   |
|----------------------------|---|
| <h1>1</h1>                 |  |
| <b>Concrete part 100 T</b> |   |
| Dimensions (ø x H) [mm]    | 100 x 141   |
| Designation                | concrete part   |
| DN                         | 100   |
| Material                   | Tombac  |
| Weight [kg]                | 3.2   |
| <b>Order no.</b>           | <b>57467</b>  |



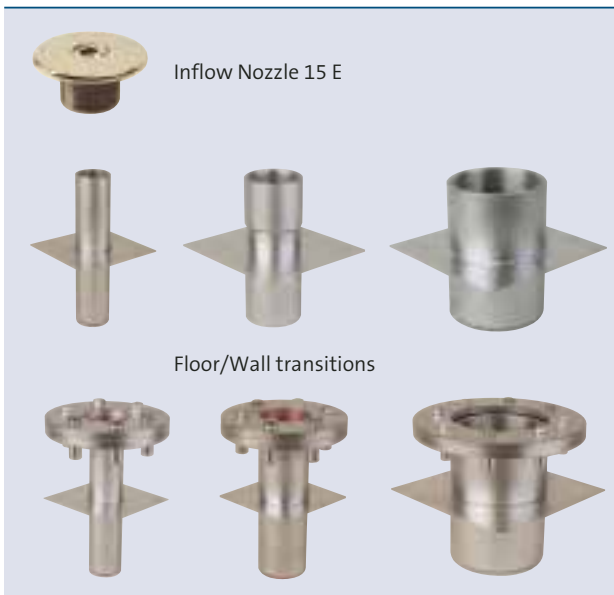
|                       | Fresh Water | Pool Water | Sea Water | 220-240 V | 400 V | 110-120 V | 50 Hz | 60 Hz | 12 V AC | 24 V DC | DMX | DMX/RDM | Plug and Spray |
|-----------------------|-------------|------------|-----------|-----------|-------|-----------|-------|-------|---------|---------|-----|---------|----------------|
| Floor/wall transition |             |            |           |           |       |           |       |       |         |         |     |         |                |
| Inflow nozzle 15 E    |             |            |           |           |       |           |       |       |         |         |     |         |                |

## INFLOW NOZZLE 15 E

For undisturbed satisfaction in clean fountain pools and ponds.

Filtered water is fed back into the pool through stainless steel and bronze inflow nozzles. Direction of flow can be changed by adjusting the nozzle.

Fresh water inlet armatures are used to fill the pool and for top-up feed of evaporated water from the public drinking water network. The water-level can be adjusted from 100 to 1000 mm.



## FLOOR/WALL TRANSITIONS

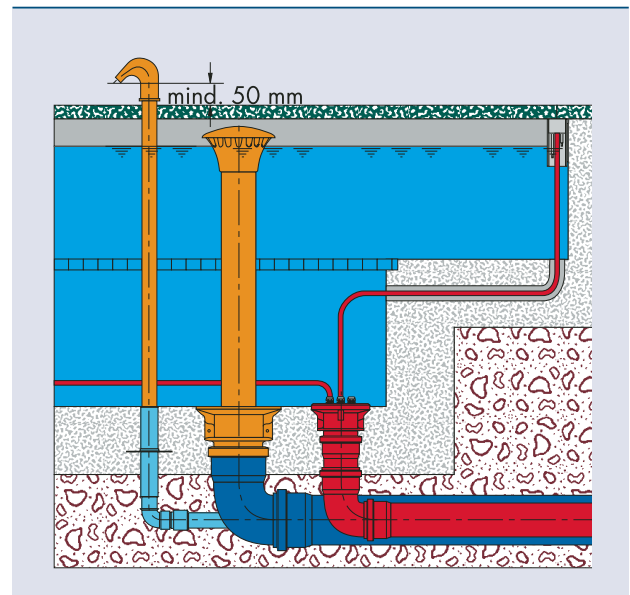
Trouble-free pipe routing through pool walls or pool floors is indispensable.

OASE floor/wall transitions are made of high-grade stainless steel and have a large-surface concrete-tight flange with grounding possibility.

Models with liner clamping flange are available for pools with liner.

### Product characteristics at a glance

- Versatile implementation
- Easy to install
- Extremely corrosion resistant





| Inflow nozzle           | Inflow nozzle 15 E |
|-------------------------|--------------------|
|                         |                    |
| Inflow nozzle           | Inflow nozzle 15 E |
| Dimensions (LxWxH) [mm] | Ø 101 x 31         |
| Thread                  | 1 1/2"             |
| Material                | Stainless steel    |
| Weight [kg]             | 0.3                |
| Order no.               | 53086              |

| Floor/Wall transition   | Floor/Wall transition 10-175 E      | Floor/Wall transition 15-175 E | Floor/Wall transition 20-175 E | Floor/Wall transition 40-175 E |
|-------------------------|-------------------------------------|--------------------------------|--------------------------------|--------------------------------|
|                         |                                     |                                |                                |                                |
| Floor/Wall transition   | Floor/Wall transition 10-175 E      | Floor/Wall transition 15-175 E | Floor/Wall transition 20-175 E | Floor/Wall transition 40-175 E |
| Dimensions (LxWxH) [mm] | 100 x 100 x 175                     | 100 x 100 x 175                | 150 x 150 x 175                | 200 x 200 x 175                |
| Thread                  | 1"                                  | 1 1/2"                         | 2"                             | 4"                             |
| Material                | Stainless steel 1.4571 (AISI 316Ti) |                                |                                |                                |
| Weight [kg]             | 0.6                                 | 1.1                            | 2.0                            | 3.6                            |
| Order no.               | 51141                               | 51142                          | 51143                          | 52790                          |

| Floor/Wall transition   | Floor/Wall transition/F 10-175 E    | Floor/Wall transition/F 15-175 E | Floor/Wall transition/F 20-175 E | Floor/Wall transition/F 40-175 E |
|-------------------------|-------------------------------------|----------------------------------|----------------------------------|----------------------------------|
|                         |                                     |                                  |                                  |                                  |
| Floor/Wall transition   | Floor/Wall transition/F 10-175 E    | Floor/Wall transition/F 15-175 E | Floor/Wall transition/F 20-175 E | Floor/Wall transition/F 40-175 E |
| Dimensions (LxWxH) [mm] | 100 x 100 x 191                     | 100 x 100 x 191                  | 150 x 150 x 191                  | 200 x 200 x 191                  |
| Thread                  | 1"                                  | 1 1/2"                           | 2"                               | 4"                               |
| Material                | Stainless steel 1.4571 (AISI 316Ti) |                                  |                                  |                                  |
| Weight [kg]             | 3.0                                 | 3.4                              | 4.7                              | 8.3                              |
| Order no.               | 51145                               | 51146                            | 51147                            | 53013                            |



|                           | Fresh Water | Pool Water | Sea Water | 220-240 V | 400 V | 110-120 V | 50 Hz | 60 Hz | 12 V AC | 24 V DC | DMX | DMX/RDM | Plug and Spray |
|---------------------------|-------------|------------|-----------|-----------|-------|-----------|-------|-------|---------|---------|-----|---------|----------------|
| Overflow/return box 100 E |             |            |           |           |       |           |       |       |         |         |     |         |                |

## OVERFLOW/RETURN BOX 100 E

These armature can be used to discharge excess pool water.

Overflow/return armature is installed in the vertical pool wall. Number of armatures used are based on the volume of water that will be returned. However at least two return armatures

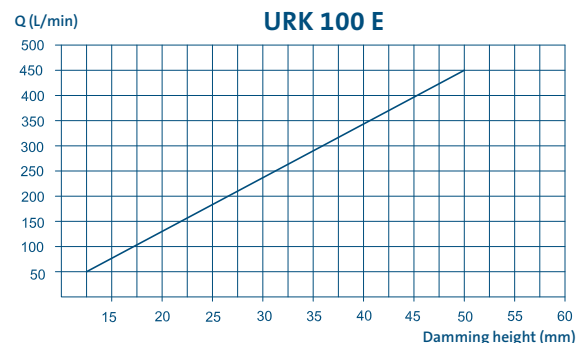
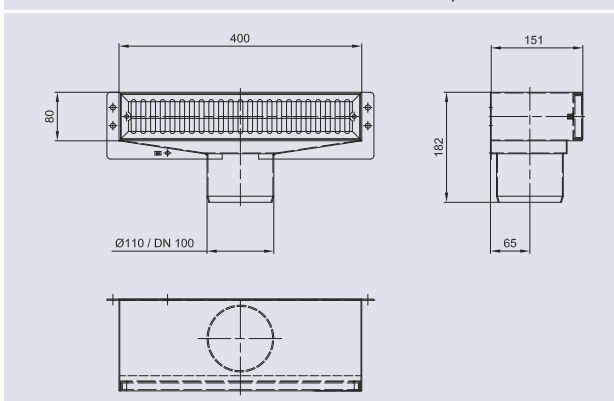
should be used for safety reasons. A maximum return speed of 0.6 m/s should serve as the basis for calculating the nominal return pipe diameter. The connection ducts easily fit in all muffs of the drain pipes.

### Product characteristics at a glance

- For installation in vertical pool walls
- Large and effective debris sieves
- Connection suitable for the muffs of the drain pipe
- Manufactured completely of stainless steel



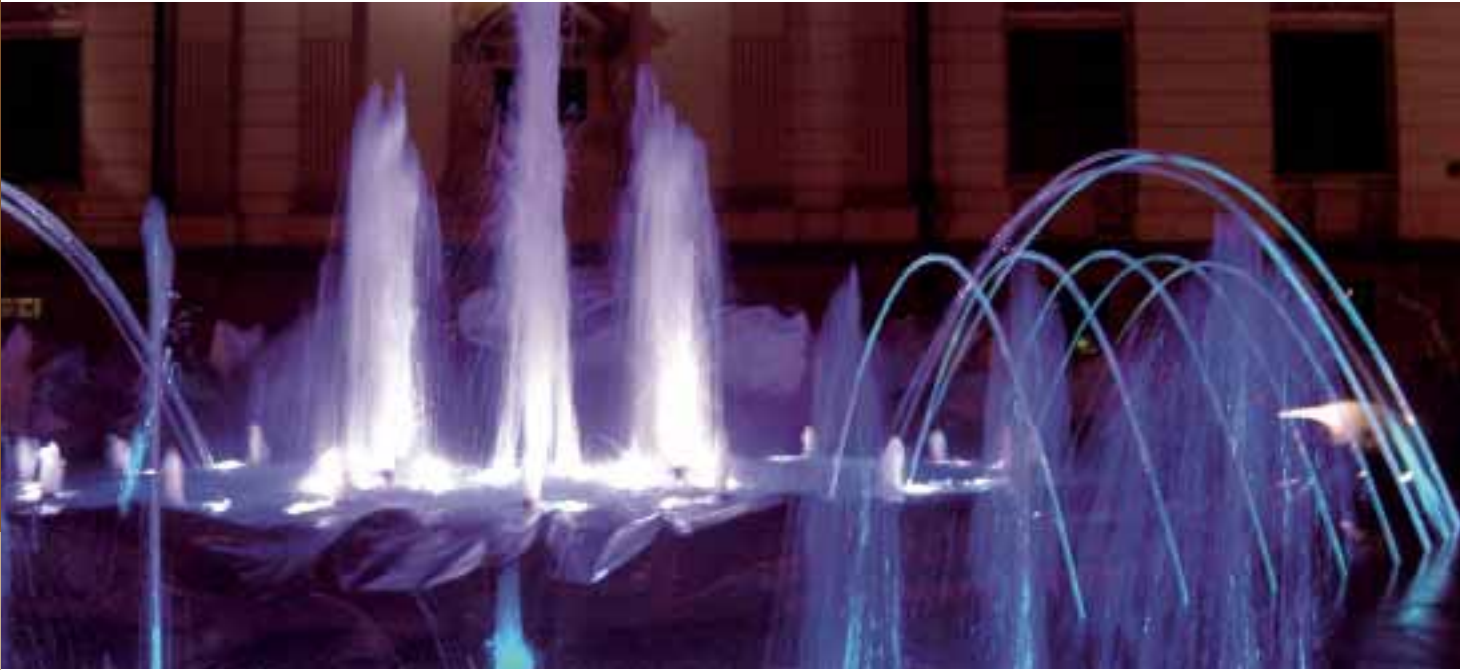
Overflow/return box 100 E



| Overflow/return box 100 E   |  |
|-----------------------------|--|
| Dimensions (L x W x H) [mm] | 450 x 150 x 180                                  |
| For pools with liner        | no   |
| Connection [DN]             | 100  |
| Material                    | Stainless steel 1.4301 / 1.4571 (AISI 304/316Ti) |
| Weight [kg]                 | 6.0  |
| Order no.                   | 52602  |







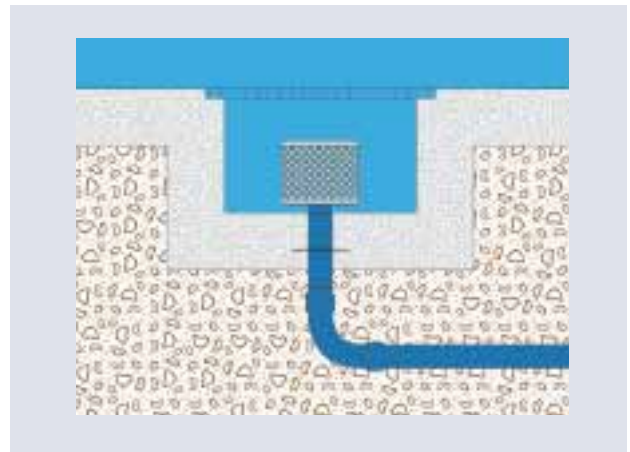
|                        | Fresh Water | Pool Water | Sea Water | 220-240 V | 400 V | 110-120 V | 50 Hz | 60 Hz | 12 V AC | 24 V DC | DMX | DMX/RDM | Plug and Spray |
|------------------------|-------------|------------|-----------|-----------|-------|-----------|-------|-------|---------|---------|-----|---------|----------------|
| Suction filter baskets |             |            |           |           |       |           |       |       |         |         |     |         |                |

## SUCTION FILTER BASKETS 200/15 E TO 600/530/250 E

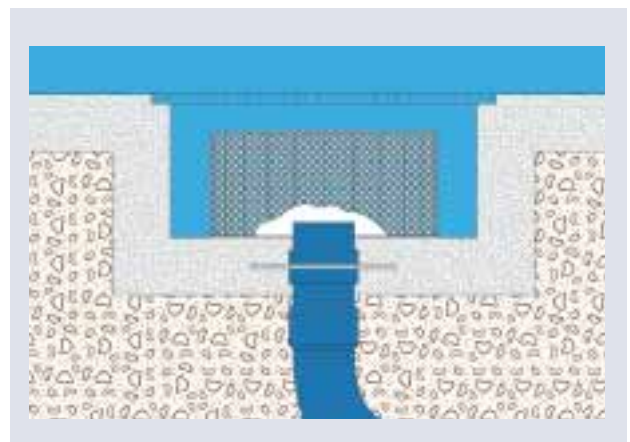
Suction filter baskets are mounted on the inlets of the suction lines to protect the pump/nozzle water circuit from coarse debris.

### Product characteristics at a glance

- Protects pump and nozzle from coarse debris
- Large filter surface
- Easy installation
- Solid and robust construction
- Corrosion resistant

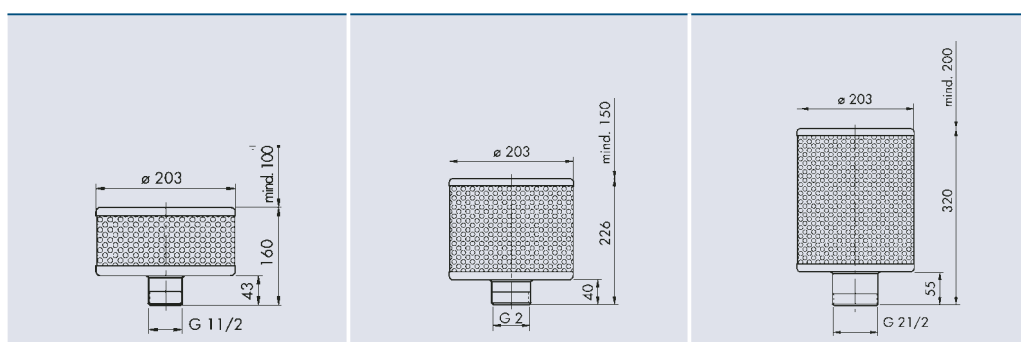
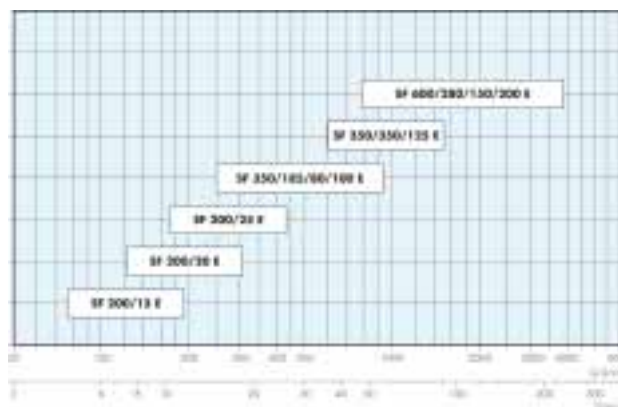


Suction filter baskets

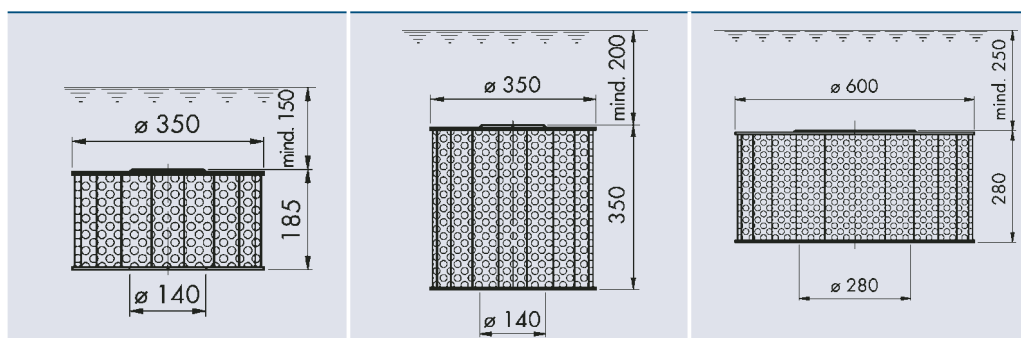


The baskets are available in different sizes and have extra large filter surfaces that ensure a sufficiently long cleaning interval. In this regard the perforated filter plates for the medium-sized and large filter baskets have been folded multiple times in a star pattern. The stainless steel perforated plate has 4 mm holes.

The small suction filter baskets are screwed directly onto the pool floor channels. The medium and large baskets are simply placed over the suction line pipe that projects approximately 50 mm above the pool floor and permanently anchored.

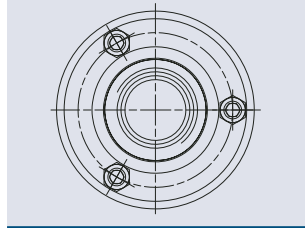
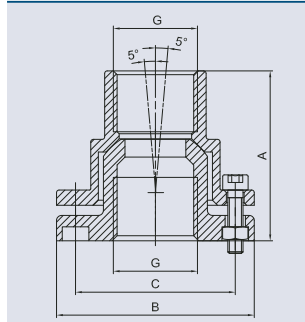


|                          | Suction filter basket 200/100/15 E | Suction filter basket 200/166/20 E | Suction filter basket 200/250/25 E |
|--------------------------|------------------------------------|------------------------------------|------------------------------------|
| Dimensions [ØxH mm]      | 203 x 160                          | 203 x 226                          | 203 x 320                          |
| DN [inch/mm]             | 1 ½"                               | 2"                                 | 2 ½"                               |
| Filter surface [m²]      | 0.08                               | 0.12                               | 0.18                               |
| Particle strainer Ø [mm] | 4.0                                | 4.0                                | 4.0                                |
| Material                 | Stainless steel                    | Stainless steel                    | Stainless steel                    |
| Weight [kg]              | 1.1                                | 1.5                                | 1.8                                |
| Order no.                | 51082                              | 51083                              | 51084                              |



|                          | Suction filter basket 350/185/80/100 E | Suction filter basket 350/350/125 E | Suction filter basket 600/280/150/200 E |
|--------------------------|--|-------------------------------------|---|
| Dimensions [ØxH mm]      | 350 x 185                              | 350 x 350                           | 600 x 280                               |
| DN [inch/mm]             | 80/100                                 | 125                                 | 150/200                                 |
| Filter surface [m²]      | 0.44                                   | 0.88                                | 1.5                                     |
| Particle strainer Ø [mm] | 4.0                                    | 4.0                                 | 4.0                                     |
| Material                 | Stainless steel                        | Stainless steel                     | Stainless steel                         |
| Weight [kg]              | 9.5                                    | 11.5                                | 43.1                                    |
| Order no.                | 51753                                  | 54755                               | 51756                                   |

## SWIVEL CONNECTION

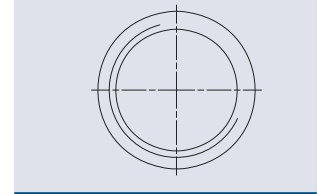
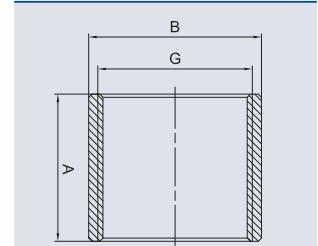
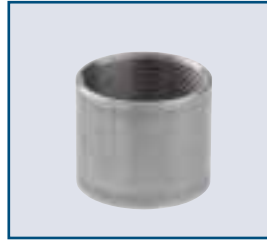


### Product characteristics at a glance

- Adjustment for nozzles
- Silver optic
- Durable chrome and nickel plated brass

| Swivel Connection silver |        | 10    | 15    | 20    |
|--------------------------|--------|-------|-------|-------|
| G                        | [inch] | 1     | 1 ½   | 2     |
| A                        | [mm]   | 70    | 75    | 88    |
| B                        | [mm]   | 78    | 101   | 127   |
| C                        | [mm]   | 63    | 80    | 104   |
| Weight                   | [kg]   | 0.55  | 1.12  | 2.05  |
| Order no.                |        | 51015 | 51016 | 51017 |

## SLEEVE SILVER



### Product characteristics at a glance

- Straight threading
- High-quality stainless steel

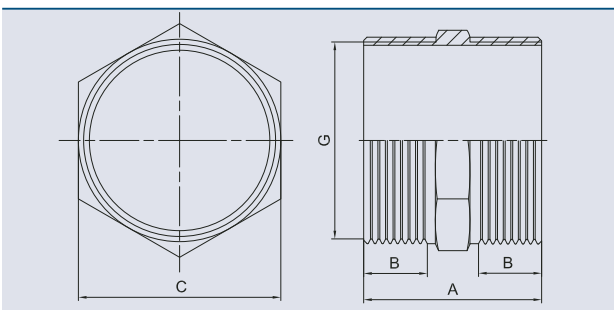
| Sleeve Silver |        | 10              | 15    | 20    | 30    |
|---------------|--------|-----------------|-------|-------|-------|
| A             | [mm]   | 42.3            | 47.2  | 51.7  | 66.7  |
| B             | [mm]   | 38.0            | 53.5  | 66.0  | 95.0  |
| G             | [inch] | 1               | 1 ½   | 2     | 3     |
| Material      |        | Stainless steel |       |       |       |
| Weight        | [kg]   | 0.09            | 0.16  | 0.25  | 0.63  |
| Order no.     |        | 51018           | 51019 | 51020 | 51021 |

## HEXAGON NIPPLE SILVER



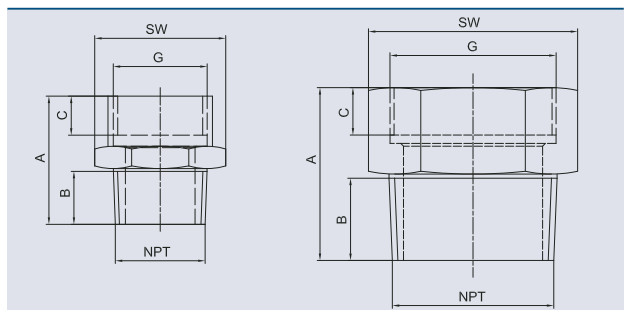
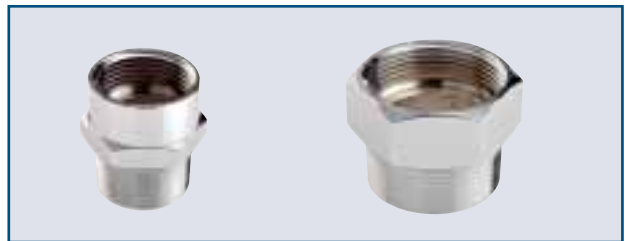
### Product characteristics at a glance

- Straight threading
- High-quality stainless steel



| Hexagon Nipple Silver |        | 10              | 15    | 20    | 30    |
|-----------------------|--------|-----------------|-------|-------|-------|
| G                     | [inch] | 1               | 1 ½   | 2     | 3     |
| A                     | [mm]   | 49              | 51.5  | 54.5  | 68    |
| B                     | [mm]   | 20.4            | 20.7  | 22    | 27.5  |
| C                     | [mm]   | 35              | 50    | 62    | 91    |
| Material              |        | Stainless steel |       |       |       |
| Weight                | [kg]   | 0.065           | 0.20  | 0.40  | 0.51  |
| Order no.             |        | 51022           | 51023 | 51024 | 51025 |

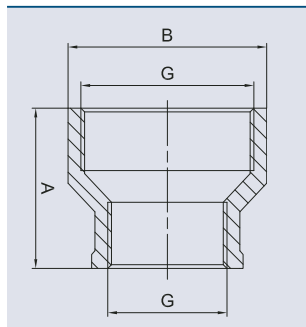
## ADAPTER G/NPT



| Adapter   |        | G10/NPT10 | G15/NPT15 | G20/NPT20 | G30/NPT30 |
|-----------|--------|-----------|-----------|-----------|-----------|
| A         | [mm]   | 43.2      | 46        | 62        | 78        |
| B         | [mm]   | 21        | 21        | 29        | 37        |
| C         | [mm]   | 14        | 14        | 17        | 20        |
| SW        | [mm]   | 36        | 50        | 60        | 90        |
| G         | [inch] | 1         | 1 ½       | 2         | 3         |
| Weight    | [kg]   | 0.145     | 0.55      | 1.12      | 2.05      |
| Order no. |        | 51026     | 51027     | 51028     | 51029     |



## REDUCING SLEEVE

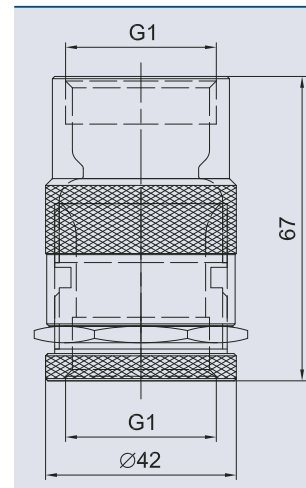
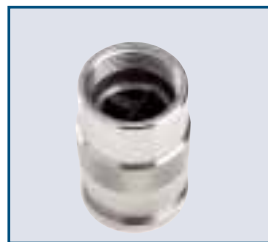


### Product characteristics at a glance

- High-quality stainless steel
- Straight threading

| Reducing Sleeve |        | 15 x 10 | 20 x 15 |
|-----------------|--------|---------|---------|
| A               | [mm]   | 50      | 59      |
| B               | [mm]   | 57      | 70      |
| G               | [inch] | 1 ½ - 1 | 2 - 1 ½ |
| Weight          | [kg]   | 0.175   | 0.225   |
| Order no.       |        | 51032   | 51030   |

## FLOW VALVE 10

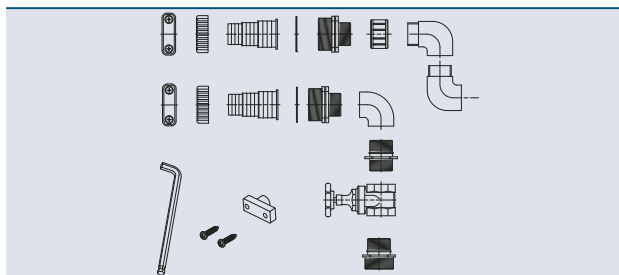


### Product characteristics at a glance

- Flow regulator
- Use below nozzle
- High-quality stainless steel
- Straight threading

| Flow Valve 10 |      |                 |
|---------------|------|-----------------|
| Dimensions    | [mm] | Ø 42 x 67       |
| Material      |      | Stainless steel |
| Weight        | [kg] | 0.3             |
| Order no.     |      | 51033           |

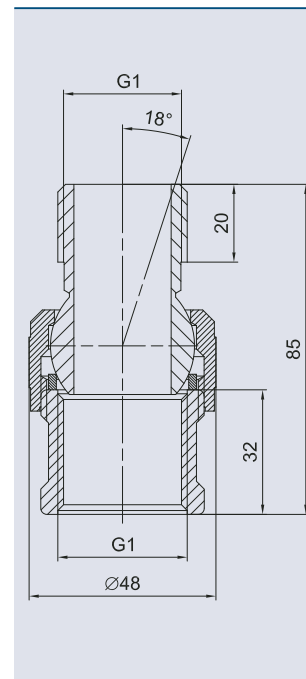
## JUMPING JET RAINBOW STAR INSTALLATION KIT



### Scope of delivery

| Jumping Jet Rainbow Star Installation Kit |   |       |
|---|---|-------|
| 2   | Flat gasket hose tail 1 ½"                |       |
| 2   | Coupling nut 1 ½" 40–20                   |       |
| 2   | Stepped hose tail 1 ½" black              |       |
| 1   | Bush plastic 1"                           |       |
| 1   | Bracket 90° G1 I-I plastic                |       |
| 1   | "Hexagonal Nipple R1"                     |       |
| 2   | Red. Nippel 1 ½" AG to 1" AG              |       |
| 1   | MS. shut off gate valve 1" 290            |       |
| 2   | Screws V2A DIN 7981, 4,8 x 25             |       |
| 1   | Gland seal Rainbow Star                   |       |
| 1   | Hexagon screwdriver 5mm                   |       |
| 1   | Flat gasket 53 x 48 x 1.5 mm NBR/SBR 70Sh |       |
| 2   | Elbow 90° G1 I-A plastic                  |       |
| 2   | Hose clamp 20 – 32 mm                     |       |
| 2   | Hose clamp 35 – 50 mm 1.4301              |       |
| 1   | Coupling nut 1 ½" 40–20                   |       |
| 1   | 1 Bush plastic 1"                         |       |
| Weight                                    | [kg]                                      | 0.84  |
| Order no.                                 |   | 51058 |

## SWIVEL BALL JOINT 10



### Product characteristics at a glance

- Adjustment for nozzles
- Straight threading
- Durable chrome and nickel plated brass

| Swivel ball joint 10 |      |                     |
|----------------------|------|---------------------|
| Dimensions           | [mm] | Ø 48 x 85           |
| Material             |      | Nickel plated brass |
| Weight               | [kg] | 0.37                |
| Order no.            |      | 51165               |

# EXPLANATORY NOTES



Patent applied for



Patented



Certificate



Certificate



Certificate



Certificate

## Definition of product performance



= not applicable



= applicable

| Fresh Water | Pool Water | Sea Water |
|-------------|------------|-----------|
|             |            |           |

## Water quality

| Types  | Fresh Water | Pool Water     | Sea Water  |
|--|-------------|----------------|------------|
| pH-Wert<br>pH value<br>Valeur pH<br>Valor pH   | 7.2 - 7.6   | 7.2 - 7.6      | 8.0        |
| Härte<br>Hardness<br>Dureté<br>Cloro libre   | 8 - 15 DH   | 8 - 15 DH      | 20 - 30 DH |
| Freies Chlor<br>Free chlorine<br>Chlore libre<br>Durezza                               | < 0.3 mg/l  | 0.3 - 0.6 mg/l | < 0.3 mg/l |
| Chloridgehalt<br>Chloride concentration<br>Teneur en chlorure<br>Contenido de cloruro  | < 250 mg/l  | < 200 mg/l     | 22000 mg/l |
| Salzgehalt<br>Salinity<br>Teneur en sel<br>Contenido de sal                            | —           | —              | < 4.0 %    |
| Gesamt trockenrückstand<br>total dry residue<br>Résidu sec total<br>Residuo seco total | < 50 mg/l   | < 50 mg/l      | < 250 mg/l |
| Temperatur<br>Temperature<br>Température<br>Temperatura                                | 4° - 35° C  | 4° - 30° C     | 4° - 20° C |

| DMX | DMX/RDM | Plug and Spray |
|-----|---------|----------------|
|     |         |                |



**DMX** is a communication protocol (Digital Multiplex). This product can use the Unidirectional DMX communication.



**DMX/RDM** The DMX-Bus now is bidirectional. This is possible because of the protocol expansion RDM (Remote Device Management). This product can use the Bidirectional DMX communication. The connecting technique stays unchanged.

**Plug and Spray** Through the special connection Technology for cables, wiring by hand is no longer necessary. Put the plug in the plug socket and fix them with the two screws to make it waterproof (IP68).

## Water quality

| Types  | Fresh Water     | Pool Water            | Sea Water       |
|--|-----------------|-----------------------|-----------------|
| pH-Wert<br>pH value<br>Valeur pH<br>Valor pH   | 7.2 - 7.6       | 7.2 - 7.6             | 8.0             |
| Härte<br>Hardness<br>Dureté<br>Cloro libre   | 8 - 15 DH       | 8 - 15 DH             | 20 - 30 DH      |
| Freies Chlor<br>Free chlorine<br>Chlore libre<br>Durezza                               | < 0.036 moz/gal | 0.036 - 0.072 moz/gal | < 0.036 moz/gal |
| Chloridgehalt<br>Chloride concentration<br>Teneur en chlorure<br>Contenido de cloruro  | < 30.28 moz/gal | < 24.2 moz/gal        | 2664.6 moz/gal  |
| Salzgehalt<br>Salinity<br>Teneur en sel<br>Contenido de sal                            | —               | —                     | < 4.0 %         |
| Gesamt trockenrückstand<br>total dry residue<br>Résidu sec total<br>Residuo seco total | < 6.06 moz/gal  | < 6.06 moz/gal        | < 30.28 moz/gal |
| Temperatur<br>Temperature<br>Température<br>Temperatura                                | 39° - 95° F     | 39° - 86° F           | 39° - 68° F     |

## FOUNTAINS & LAKES (INTERNATIONAL, ORDER-RELATED)

| Order no. | Description             | Packing unit |
|-----------|-------------------------|--------------|
| 58916     | BT 0.55-40-4            | 1            |
| 58916     | BT 0.75-40-4            | 1            |
| 58916     | BT 1.1-40-4             | 1            |
| 58916     | BT 1.1-50-4             | 1            |
| 58916     | BT 1.5-65-4             | 1            |
| 58916     | BT 15.0-100-4           | 1            |
| 58916     | BT 18.5-100-4           | 1            |
| 58916     | BT 18.5-125-4           | 1            |
| 58916     | BT 2.2-80-4             | 1            |
| 58916     | BT 22.0-125-4           | 1            |
| 58916     | BT 3.0-40-4             | 1            |
| 58916     | BT 3.0-50-4             | 1            |
| 58916     | BT 5.5-100-4            | 1            |
| 58916     | BT 5.5-50-4             | 1            |
| 58916     | BT 7.5-80-4             | 1            |
| 56780     | Comet 10 - 12 T long    | 5            |
| 50218     | Comet 10 - 14 T long    | 5            |
| 50957     | Comet 3 - 3 T           | 20           |
| 50958     | Comet 3 - 4 T           | 20           |
| 51006     | Fountain ring 1000/36/4 | 1            |

| Order no. | Description                             | Packing unit |
|-----------|---|--------------|
| 51008     | Fountain ring 1500/54/4                 | 1            |
| 51010     | Fountain ring 2000/72/4                 | 1            |
| 51002     | Fountain ring 500/18/4                  | 1            |
| 51004     | Fountain Ring 750/24/4                  | 1            |
| 50972     | Hollow Jet Nozzle HS 70/3.5 E           | 1            |
| 57485     | JunctionBox 4/M 32                      | 2            |
| 50892     | Lava 100-15 E                           | 3            |
| 57427     | LunAqua 5.1                             | 1            |
| 53853     | SPA 100-23, 3 x 400V / 50Hz, YD, 7,5kW  | 1            |
| 53836     | SPA 22-43, 3 x 400V / 50Hz, 2,2kW       | 1            |
| 53840     | SPA 35-33, 3 x 400V / 50Hz, 3,0kW       | 1            |
| 53847     | SPA 58-43, 3 x 400V / 50Hz, YD, 7,5kW   | 1            |
| 56502     | USP H 422 W, 1 x 230V / 50Hz, 0,92kW    | 2            |
| 56503     | USP H 423 D, 3 x 400V / 50Hz, 0,98kW    | 2            |
| 56504     | USP H 522 W, 1 x 230V / 50Hz, 1,27kW    | 2            |
| 56505     | USP H 523 D, 3 x 400V / 50Hz, 1,28kW    | 2            |
| 57288     | UWS K 300                               | 10           |
| 52904     | UWS T 111                               | 1            |
| 51984     | Reflector bulb PAR56, 12V, 300W, 36-18° | 10           |
| 50999     | Vulkan 200/19-6 T                       | 2            |

## ABBREVIATIONS

|                        |                              |                        |                            |
|------------------------|------------------------------|------------------------|----------------------------|
| A. . . . .             | Area                         | MA. . . . .            | Material                   |
| AF. . . . .            | Filter area                  | MBD. . . . .           | Minimum pool diameter      |
| ASW. . . . .           | Beam angle                   | n. . . . .             | Speed                      |
| b, b1, b2, b3. . . . . | Width                        | O. . . . .             | Surface                    |
| d, d1, d2, d3. . . . . | Diameter                     | p. . . . .             | pressure                   |
| Da. . . . .            | Diameter external            | P. . . . .             | Power                      |
| DAS. . . . .           | Nozzle delivery jet diameter | PH. . . . .            | Parabola height            |
| DD. . . . .            | Diameter pressure connection | PH%. . . . .           | Parabola height in percent |
| DDB. . . . .           | Nozzle pressure requirement  | PN. . . . .            | Nominal pressure           |
| DDG. . . . .           | Nozzle diameter (greatest)   | PW. . . . .            | Parabola width             |
| Di. . . . .            | Diameter interior            | Q. . . . .             | Flow, volume flow          |
| DID. . . . .           | Nozzle injector diameter     | r. . . . .             | Radius                     |
| DN. . . . .            | Nominal diameter             | R. . . . .             | Electrical resistance      |
| DNa. . . . .           | Nominal diameter output      | RRW. . . . .           | Pipe frictional resistance |
| DNe. . . . .           | Nominal diameter input       | SB. . . . .            | Slot width                 |
| DS. . . . .            | Diameter suction connection  | SL. . . . .            | Slot length                |
| DAW. . . . .           | Nozzle adjustment angle      | SPB. . . . .           | Spray width                |
| DSD. . . . .           | Nozzle spray diameter        | s. . . . .             | Thickness                  |
| DWB. . . . .           | Nozzle water requirement     | t. . . . .             | Time, time-frame, duration |
| E. . . . .             | Luminous intensity           | U. . . . .             | Voltage                    |
| FH. . . . .            | Fountain height              | v. . . . .             | Flow velocity              |
| FL. . . . .            | Flange                       | V=. . . . .            | Direct current             |
| G. . . . .             | Thread                       | w. . . . .             | Distance to water level    |
| GW. . . . .            | Weight                       | x, x1, x2, x3. . . . . | Distance general           |
| h, h1, h2, h3. . . . . | Height                       | z. . . . .             | Quantity general           |
| H. . . . .             | Pump delivery head           | za. . . . .            | Number of outlets          |
| I. . . . .             | Current strength             | zd. . . . .            | Number of nozzles          |
| I. . . . .             | Light intensity              | ze. . . . .            | Number of inlets           |
| l, l1, l2, l3. . . . . | Length                       | zl. . . . .            | Number of holes            |
| KD. . . . .            | Calyx diameter               | zp. . . . .            | Number of pumps            |
| KH. . . . .            | Calyx height                 | zs. . . . .            | Number of spotlights       |
| LW. . . . .            | Clear opening                |                        |                            |



# CONVERSION TABLES

| Liter            |                               |   |                               |
|------------------|-------------------------------|---|-------------------------------|
| 1,0              | l (Liter)                     | = 0,2642                                      | US Gal (gallon)               |
| 1,0              | US Gal (gallon)               | = 3,7851                                      | l (Liter)                     |
| 1,0              | l (Liter)                     | = 0,2200                                      | UK Gal                        |
| 1,0              | UK Gal                        | = 4,5460                                      | l (Liter)                     |
| Liter pro minute |                               |   |                               |
| 1,0              | l (Liter)/ min                | = 15,8520                                     | US Gph (gallons per hour)     |
| 1,0              | US Gph (gallon per hour)      | = 0,0631                                      | l (Liter)/ min                |
| 1,0              | l (Liter) / min               | = 13,2000                                     | UK Gph (gallons per hour)     |
| 1,0              | UK Gph (gallon per hour)      | = 0,0758                                      | l (Liter) / min               |
| Meter/Kilometer  |                               |   |                               |
| 1,0              | m (Meter)                     | = 3,2810                                      | ft (feet)                     |
| 1,0              | ft (foot)                     | = 0,3048                                      | m (Meter)                     |
| 1,0              | m (Meter)                     | = 39,3700                                     | In. (Inch)                    |
| 1,0              | In. (Inch)                    | = 0,0254                                      | m (Meter)                     |
| 1,0              | m (Meter)                     | = 1,0936                                      | yd (Yard)                     |
| 1,0              | yd (Yard)                     | = 0,9144                                      | m (Meter)                     |
| 1,0              | km (Kilometer)                | = 0,5310                                      | nmi (Nautic Miles (Int))      |
| 1,0              | nmi (Nautic Mile (Int))       | = 1,8520                                      | km (Kilometer)                |
| Quadratmeter     |                               |   |                               |
| 1,0              | m <sup>2</sup> (Quadratmeter) | = 10,7527                                     | sq.ft (square feet)           |
| 1,0              | sq.ft (square foot)           | = 0,0930                                      | m <sup>2</sup> (Quadratmeter) |
| 1,0              | ha = 10000 m <sup>2</sup>     | = 2,4691                                      | acres                         |
| 1,0              | acre                          | = 0,4050                                      | ha (Hektar)                   |
| Kilogramm        |                               |   |                               |
| 1,0              | kg (Kilogramm)                | = 2,2046                                      | lb. (pound) avdp              |
| 1,0              | avdo. lb.                     | = 0,4536                                      | kg (Kilogramm)                |
| Kilowatt         |                               |   |                               |
| 1,0              | kW (Kilowatt)                 | = 1,3410                                      | hp (horsepower)               |
| 1,0              | hp (horsepower)               | = 0,7457                                      | kW (Kilowatt)                 |
| Grad             |                               |   |                               |
| 0,0              | °C (Grad Celsius)             | = 32  | °F (Grad Fahrenheit)          |
| 20,0             | °C (Grad Celsius)             | = 68  | °F (Grad Fahrenheit)          |
| 0,0              | °F (Grad Fahrenheit)          | = -17,8                                       | °C (Grad Celsius)             |
| 50,0             | °F (Grad Fahrenheit)          | = 10,0  | °C (Grad Celsius)             |
| <b>A</b>         | <b>To compute Fahrenheit:</b> | Multiply Centigrade by 1,8 and add 32         |                               |
| <b>B</b>         | <b>To compute Centigrade:</b> | Subtract 32 from Fahrenheit and divide by 1,8 |                               |

# ALPHABETICAL PRODUCT OVERVIEW

| Order no. | Description                            | Page |
|-----------|--|------|
| 51026     | Adapter G 10 / NPT 10 silver           | 244  |
| 51027     | Adapter G 15 / NPT 15 silver           | 244  |
| 51028     | Adapter G 20 / NPT 20 silver           | 244  |
| 51029     | Adapter G 30 / NPT 30 silver           | 244  |
| 50433     | AFM filter medium                      | 216  |
| 50183     | AirFlo 1.5 kW / 230 V                  | 198  |
| 50185     | AirFlo 4.0 kW / 400 V                  | 198  |
| 58904     | AirNozzle                              | 30   |
| 53913     | Anemometer K                           | 188  |
| 50549     | AquaActiv AlGo Direct 5 l              | 226  |
| 40234     | AquaActiv AlGo Fountain 5 l            | 220  |
| 50545     | AquaActiv AlGo Universal 5 l           | 226  |
| 50939     | AquaActiv BioKick CWS 2 l              | 226  |
| 50558     | AquaActiv OptiPond 5 l                 | 226  |
| 57477     | AquaActiv PhosLess Refill pack         | 226  |
| 50555     | AquaActiv PondClear 5 l                | 226  |
| 50561     | AquaActiv SediFree 5 l                 | 226  |
| 50571     | AquaActiv Water analysis Profi-Set     | 226  |
| 57479     | AquaAir 250                            | 196  |
| 57487     | AquaAir 250                            | 196  |
| 56873     | AquaMax Expert 20000                   | 105  |
| 56874     | AquaMax Expert 30000                   | 105  |
| 56875     | AquaMax Expert 40000                   | 105  |
| 57091     | AquaMax Eco Gravity 10000              | 104  |
| 57092     | AquaMax Eco Gravity 15000              | 104  |
| 57093     | AquaMax Eco Gravity 20000              | 104  |
| 56617     | Aquarius Universal Premium 5000        | 102  |
| 56879     | Aquarius Universal Premium 12000       | 102  |
| 56637     | Aquarius Universal Premium 6000        | 102  |
| 56876     | Aquarius Universal Premium 9000        | 102  |
| 52004     | Atlantis 350                           | 103  |
| 55351     | Backwash Automatic Eurotronik          | 216  |
| 57696     | BioTec ScreenMatic <sup>2</sup> 140000 | 204  |
| 56902     | Bitron C 110 W                         | 202  |
| 56769     | Bitron Eco 120 W                       | 200  |
| 56405     | Bitron Eco 180 W                       | 200  |
| 56410     | Bitron Eco 240 W                       | 200  |
| 50946     | Bitron Gravity 55 W                    | 202  |
| 45308     | BT 1.1-65-4 IE3                        | 110  |
| 45306     | BT 1.5-50-4 IE3                        | 110  |
| 45313     | BT 11.0-100-4 IE3                      | 110  |
| 45314     | BT 15.0-125-4 IE3                      | 110  |
| 45305     | BT 2.2-40-4 IE3                        | 110  |
| 45309     | BT 3.0-80-4 IE3                        | 110  |
| 45307     | BT 4.0-50-4 IE3                        | 110  |
| 45310     | BT 4.0-80-4 IE3                        | 110  |
| 45311     | BT 5.5-80-4 IE3                        | 110  |
| 45312     | BT 7.5-100-4 IE3                       | 110  |
| 51036     | Buffer solution calibration set        | 220  |
| 51741     | Cable transition 1/10 E                | 154  |
| 57465     | Cable transition 12/100 T              | 154  |
| 51740     | Cable transition 2/15 E                | 154  |
| 57470     | Cable transition 4/70 T                | 154  |
| 57464     | Cable transition 7/100 T               | 154  |
| 50916     | Cascade 110 T                          | 68   |
| 89054     | Cascade 110 T / NPT                    | 68   |
| 50917     | Cascade 130 T                          | 68   |
| 89055     | Cascade 130 T / NPT                    | 68   |
| 50911     | Cascade 50 T                           | 68   |
| 89051     | Cascade 50 T / NPT                     | 68   |
| 50912     | Cascade 70 T                           | 68   |
| 89052     | Cascade 70 T / NPT                     | 68   |
| 50915     | Cascade 90 T                           | 68   |
| 89053     | Cascade 90 T / NPT                     | 68   |
| 50434     | Clear Fountain System                  | 220  |
| 58960     | Clear Lake System                      | 222  |
| 45480     | Cluster Eco 15 - 38                    | 47   |
| 50968     | Comet 10 - 12 T                        | 44   |
| 89015     | Comet 10 - 12 T / NPT                  | 44   |
| 50723     | Comet 10 - 14 silver                   | 42   |

| Order no. | Description                            | Page |
|-----------|--|------|
| 50969     | Comet 10 - 14 T                        | 44   |
| 89016     | Comet 10 - 14 T / NPT                  | 44   |
| 45454     | Comet 10-12 silver                     | 42   |
| 50724     | Comet 15 - 17 silver                   | 42   |
| 50970     | Comet 15 - 17 T                        | 44   |
| 89017     | Comet 15 - 17 T / NPT                  | 44   |
| 50971     | Comet 15 - 20 T                        | 44   |
| 89018     | Comet 15 - 20 T / NPT                  | 44   |
| 50959     | Comet 3 - 5 T                          | 44   |
| 50721     | Comet 3 - 6 silver                     | 42   |
| 50960     | Comet 3 - 6 T                          | 44   |
| 89012     | Comet 3 - 6 T / NPT                    | 44   |
| 50722     | Comet 5 - 10 silver                    | 42   |
| 50965     | Comet 5 - 10 T                         | 44   |
| 89014     | Comet 5 - 10 T / NPT                   | 44   |
| 50762     | Comet 5 - 8 silver                     | 42   |
| 50964     | Comet 5 - 8 T                          | 44   |
| 89013     | Comet 5 - 8 T / NPT                    | 44   |
| 50523     | Comet Prec 20 - 20 silver              | 46   |
| 57467     | Concrete part 100 T                    | 154  |
| 57471     | Concrete part 70 T                     | 154  |
| 12768     | Connection cable 12 V AC / 1.0 m / 01  | 160  |
| 11740     | Connection cable 12 V AC / 15.0 m / 01 | 160  |
| 12374     | Connection cable 12 V AC / 3.0 m / 01  | 160  |
| 12375     | Connection cable 12 V AC / 7.5 m / 01  | 160  |
| 12762     | Connection cable 24 V DC / 1.0 m / 01  | 160  |
| 11720     | Connection cable 24 V DC / 15.0 m / 01 | 160  |
| 12552     | Connection cable 24 V DC / 3.0 m / 01  | 160  |
| 12553     | Connection cable 24 V DC / 7.5 m / 01  | 160  |
| 12368     | Connection cable DMX / 1.0 m / 01      | 162  |
| 12372     | Connection cable DMX / 10.0 m / 01     | 162  |
| 12373     | Connection cable DMX / 20.0 m / 01     | 162  |
| 12369     | Connection cable DMX / 3.0 m / 01      | 162  |
| 12371     | Connection cable DMX / 5.0 m / 01      | 162  |
| 58907     | Crown Nozzle                           | 61   |
| 53428     | Crystal quartz sand                    | 216  |
| 51974     | Debris sieve 100 E                     | 232  |
| 51973     | Debris sieve 70 E                      | 232  |
| 11702     | DMX/RDM Booster / Splitter 1-4         | 191  |
| 57646     | DMX-Box/01                             | 162  |
| 51554     | Electronic water level control 1       | 184  |
| 55846     | Electronic water level control 2       | 184  |
| 12007     | End resistant for BUS-system DMX / 01  | 162  |
| 50728     | Extension cable hybrid / 3.0 m         | 164  |
| 56403     | Extension cable hybrid / 7.5 m         | 164  |
| 50524     | Fan Jet 10 - 20 - 6 silver             | 55   |
| 53056     | Fan Jet 10 - 6 E                       | 55   |
| 53047     | Fan Jet 15 - 8 E                       | 55   |
| 51110     | Finger Nozzle 7-15                     | 60   |
| 58975     | Flashwall                              | 32   |
| 51141     | Floor/wall transition 10-175 E         | 238  |
| 51142     | Floor/wall transition 15-175 E         | 238  |
| 51143     | Floor/wall transition 20-175 E         | 238  |
| 52790     | Floor/wall transition 40-175 E         | 238  |
| 51145     | Floor/wall transition F 10-175 E       | 238  |
| 51146     | Floor/wall transition F 15-175 E       | 238  |
| 51147     | Floor/wall transition F 20-175 E       | 238  |
| 53013     | Floor/wall transition F 40-175 E       | 238  |
| 51033     | Flow Valve 10                          | 245  |
| 58909     | Fog / Mist System                      | 38   |
| 58905     | Fountain Flame                         | 36   |
| 50978     | Freestand Light                        | 149  |
| 50995     | Geyser 100 T                           | 72   |
| 89027     | Geyser 100 T / NPT                     | 72   |
| 50991     | Geyser 20 T                            | 72   |
| 89023     | Geyser 20 T / NPT                      | 72   |
| 50992     | Geyser 40 T                            | 72   |
| 89024     | Geyser 40 T / NPT                      | 72   |
| 50993     | Geyser 60 T                            | 72   |
| 89025     | Geyser 60 T / NPT                      | 72   |

| Order no. | Description                                 | Page |
|-----------|---|------|
| 50994     | Geyser 80 T                                 | 72   |
| 89026     | Geyser 80 T / NPT                           | 72   |
| 50377     | Geyser Jet 30                               | 50   |
| 50376     | Grand Vulcan 30                             | 58   |
| 50767     | Gushing nozzle 115 - 15 silver              | 54   |
| 54035     | Halogen bulb 35 W                           | 145  |
| 54036     | Halogen bulb 50 W                           | 145  |
| 54037     | Halogen bulb 75 W                           | 145  |
| 52942     | Halogen reflector bulb 100 W, 10°, white    | 148  |
| 52943     | Halogen reflector bulb 100 W, 24°, white    | 145  |
| 51394     | Halogen reflector bulb 50 W, 30°, white     | 147  |
| 52939     | Halogen reflector bulb 50 W, 24°, white G53 | 145  |
| 52941     | Halogen reflector bulb 75 W, 24°, white G53 | 145  |
| 51022     | Hexagon nipple 10 silver                    | 244  |
| 51023     | Hexagon nipple 15 silver                    | 244  |
| 51024     | Hexagon nipple 20 silver                    | 244  |
| 51025     | Hexagon nipple 30 silver                    | 244  |
| 50375     | High Jet 30                                 | 50   |
| 50973     | Hollow Jet Nozzle 100                       | 48   |
| 50963     | Hollow Jet Nozzle 130                       | 48   |
| 55350     | Hollow Jet Nozzle 130                       | 48   |
| 50966     | Hollow Jet Nozzle 68                        | 48   |
| 56404     | Hybrid connection box                       | 164  |
| 50479     | Illumination set MIDI/MAXI/AirFlo LED/01    | 86   |
| 51071     | Illumination set PondJet                    | 86   |
| 57083     | Illumination set PondJet                    | 86   |
| 53086     | Inflow nozzle 15 E                          | 238  |
| 51058     | Installation kit JumpingJet Rainbow Star    | 245  |
| 50528     | Jumping Jet Rainbow Flash II /DMX/02        | 20   |
| 50345     | JumpingJet Rainbow Star /DMX/01             | 18   |
| 50358     | JunctionBox 14 / M 20                       | 156  |
| 57486     | JunctionBox 8 / M 20                        | 156  |
| 50786     | Lamp Holder                                 | 150  |
| 50884     | Lava 25 - 5 E                               | 51   |
| 50889     | Lava 30 - 10 E                              | 51   |
| 50890     | Lava 45 - 10 E                              | 51   |
| 50891     | Lava 60 - 10 E                              | 51   |
| 58916     | LED Stripes                                 | 142  |
| 42637     | LED-floating fountain illumination white    | 86   |
| 51069     | LED-Modul II /DMX/02                        | 151  |
| 51117     | Liner clamping flange 100 T                 | 232  |
| 57474     | Liner clamping flange 100 T KD              | 154  |
| 51108     | Liner clamping flange 70 T                  | 232  |
| 57473     | Liner clamping flange 70 T KD               | 154  |
| 54034     | LunAqua 10                                  | 144  |
| 50366     | LunAqua 10 LED /01                          | 140  |
| 57104     | LunAqua 5.1                                 | 146  |
| 57427     | LunAqua 5.1                                 | 146  |
| 50371     | MAXI II 4.0 kW / 400 V                      | 82   |
| 50374     | MAXI II 5 HP / 3 P / 230 V                  | 82   |
| 50365     | MIDI II 1.1 kW / 230 V                      | 82   |
| 50372     | MIDI II 2 HP / 1 P / 230 V                  | 82   |
| 50702     | Multi Directional Drive II /DMX/02          | 26   |
| 51225     | Multi Directional Drive II 3D/DMX/02        | 24   |
| 52219     | Mylar lace 4/025                            | 76   |
| 52218     | Mylar lace nozzle 22 MS                     | 76   |
| 52220     | Mylar lace weight 20 /100 MS                | 76   |
| 50477     | NozzleChamber Single                        | 230  |
| 50478     | NozzleChamber Vario                         | 230  |
| 51120     | Overfl. wall-inst. comb. armature 100 E     | 241  |
| 57463     | Overflow/drain armature 100/1000 T          | 234  |
| 57469     | Overflow/drain armature 70/1000 T           | 234  |
| 52602     | Overflow/return box 100 E                   | 240  |
| 51062     | OxyPool 9.9 %                               | 220  |
| 53091     | pH value reducer pHW 30                     | 220  |
| 57462     | Plug 100 T                                  | 232  |
| 57468     | Plug 70 T                                   | 232  |
| 54019     | PondJet                                     | 80   |
| 57704     | PondJet Eco                                 | 80   |
| 57648     | Power splice 20                             | 158  |
| 57649     | Power splice 43                             | 159  |
| 43524     | Power supply 85 /265 V AC /24 V DC 48 W/2 A | 191  |
| 50492     | PowerBox 12 V AC /01                        | 160  |
| 50493     | PowerBox 24 V DC /01                        | 160  |

| Order no. | Description                                | Page |
|-----------|--|------|
| 51064     | ProfiClear Classic coarse debris extrac.   | 208  |
| 51065     | ProfiClear Classic filter foam module      | 208  |
| 51066     | ProfiClear Classic phosphate binder mod.   | 208  |
| 51061     | ProfiClear Classic pump chamber            | 208  |
| 56774     | ProfiClear Premium drum filter gravity fed | 210  |
| 50773     | ProfiClear Premium drum filter pump-fed    | 210  |
| 50771     | ProfiClear Premium Individual Module       | 210  |
| 50772     | ProfiClear Premium Moving Bed Module       | 210  |
| 50947     | ProfiClear Premium replacem. sieve 150 µ   | 210  |
| 42913     | ProfiClear pump chamber Compact / Classic  | 208  |
| 56133     | ProfiLux 101 E                             | 144  |
| 56267     | ProfiLux LED 110 /DMX/02                   | 118  |
| 51296     | ProfiLux LED 1100/01                       | 134  |
| 50717     | ProfiLux LED 320 /DMX/02                   | 120  |
| 56331     | ProfiLux LED 350 /01                       | 132  |
| 50367     | ProfiLux LED 370 12 V /01                  | 140  |
| 50474     | ProfiLux LED 370 24 V /01                  | 140  |
| 56391     | ProfiLux LED Flood 1500 /DMX/02            | 124  |
| 56402     | ProfiLux LED Flood 2200/01                 | 138  |
| 56388     | ProfiLux LED Spot 1500 /DMX/02             | 122  |
| 56401     | ProfiLux LED Spot 2200 /01                 | 136  |
| 50296     | ProfiMax 7000                              | 106  |
| 57097     | Profinaut 6000                             | 107  |
| 56298     | ProfiPlane LED 110 /DMX/02                 | 126  |
| 50719     | ProfiPlane LED 320 /DMX/02                 | 128  |
| 50718     | ProfiRing LED 320 /DMX/02                  | 130  |
| 57134     | ProfiSkim 100                              | 224  |
| 51185     | ProfiSkim Premium                          | 224  |
| 51032     | Reducing sleeve 15 x 10                    | 245  |
| 51030     | Reducing sleeve 20 x 15                    | 245  |
| 42894     | Repl. set foam red / purple BioTec 60/140  | 205  |
| 56636     | Replacement bulb UVC 55 W                  | 203  |
| 42896     | Replacement set foam blue BioTec 60/140    | 205  |
| 51123     | Return armature 200/100 T                  | 236  |
| 50967     | Rotating nozzle 5 - 15 E                   | 62   |
| 50473     | Rotating nozzle 5 - 30 E                   | 62   |
| 50431     | Sand filter D 600                          | 216  |
| 50432     | Sand filter D 800                          | 216  |
| 50984     | Schaumsprudler 35 - 10 E                   | 64   |
| 50986     | Schaumsprudler 55 - 10 E                   | 64   |
| 50987     | Schaumsprudler 55 - 15 E                   | 64   |
| 50768     | Schaumsprudler 75 - 20 silver              | 64   |
| 57480     | Skimmer 250                                | 225  |
| 57488     | Skimmer 250                                | 225  |
| 51018     | Sleeve 10 silver                           | 244  |
| 51019     | Sleeve 15 silver                           | 244  |
| 51020     | Sleeve 20 silver                           | 244  |
| 51021     | Sleeve 30 silver                           | 244  |
| 51557     | Solenoid valve 1", 24 V                    | 184  |
| 51556     | Solenoid valve ½", 24 V                    | 184  |
| 51034     | Sonde Ph                                   | 220  |
| 51035     | Sonde Redox                                | 220  |
| 53852     | SPA 100-13                                 | 112  |
| 53854     | SPA 100-33                                 | 112  |
| 53858     | SPA 162-1-13                               | 112  |
| 53859     | SPA 162-13                                 | 112  |
| 53860     | SPA 162-2-23                               | 112  |
| 53834     | SPA 22-23                                  | 112  |
| 53835     | SPA 22-33                                  | 112  |
| 53864     | SPA 280-1-13                               | 112  |
| 53865     | SPA 280-13                                 | 112  |
| 53866     | SPA 280-2-23                               | 112  |
| 53839     | SPA 35-23                                  | 112  |
| 53841     | SPA 35-43                                  | 112  |
| 53845     | SPA 58-23                                  | 112  |
| 53846     | SPA 58-33                                  | 112  |
| 52981     | Spiral hose green 1½", 25 m                | 205  |
| 36500     | Spiral hose green 2", 20 m                 | 205  |
| 57466     | Standpipe 100 /500 T                       | 236  |
| 50272     | StrataFlo II 2 HP 230 V / 1 P / 60 Hz      | 198  |
| 50274     | StrataFlo II 5 HP 230 V / 3 P / 60 Hz      | 198  |
| 51082     | Suction filter basket 200/100/15 E         | 242  |
| 51083     | Suction filter basket 200/166/20 E         | 242  |
| 51084     | Suction filter basket 200/250/25 E         | 242  |



| Order no. | Description                            | Page |
|-----------|--|------|
| 51753     | Suction filter basket 350/185/80/100E  | 242  |
| 54755     | Suction filter basket 350/350/125 E    | 242  |
| 51756     | Suction filter basket 600/280/150/200E | 242  |
| 55843     | Supplemental electrode 2000-1          | 186  |
| 51341     | Switchgear EL 100 W                    | 172  |
| 51342     | Switchgear EL 101 W                    | 172  |
| 51343     | Switchgear EL 110 W                    | 172  |
| 51344     | Switchgear EL 111 W                    | 172  |
| 50342     | Swivel 24V /DMX/02                     | 28   |
| 51165     | Swivel ball joint 10                   | 245  |
| 51015     | Swivel connection 10 silver            | 244  |
| 51016     | Swivel connection 15 silver            | 244  |
| 51017     | Swivel connection 20 silver            | 244  |
| 50378     | Trumpet Jet 30                         | 58   |
| 51334     | Underwater cable connector T 3         | 156  |
| 50720     | Underwater LED Driver /DMX/02          | 166  |
| 40289     | Underwater power supply 250 / 24 V /01 | 170  |
| 50733     | Underwater power supply 250 / 24 V /01 | 170  |
| 56411     | Underwater Switch 24V /DMX/02          | 168  |
| 50401     | Underwater transformer UST 150 /01     | 190  |
| 50517     | Underwater transformer UST 150 /A/01   | 190  |
| 55721     | USP 412 W                              | 108  |
| 55720     | USP 413 D                              | 108  |
| 55727     | USP 512 W                              | 108  |
| 55726     | USP 513 D                              | 108  |
| 55732     | USP 662 W                              | 108  |
| 55731     | USP 663 D                              | 108  |
| 55735     | USP 813 D                              | 108  |
| 56506     | USP H 673 D                            | 108  |
| 52909     | UWS TS 111                             | 148  |
| 51446     | UWS TN 508                             | 146  |
| 58906     | VarioJet                               | 34   |
| 50309     | Varionaut 1 /A/DMX/01                  | 92   |
| 50343     | Varionaut 150 /DMX/02                  | 96   |
| 57690     | Varionaut 150 /DMX/02                  | 96   |

| Order no. | Description                             | Page |
|-----------|---|------|
| 50650     | Varionaut 150 24 V /DMX/02              | 94   |
| 50665     | Varionaut 150 24 V /DMX/02              | 94   |
| 40758     | Varionaut 270 /DMX/02                   | 98   |
| 50526     | Varionaut 365 /DMX/02                   | 100  |
| 56115     | Varionaut 365 /DMX/02                   | 100  |
| 50136     | Varionaut 90 24 V /DMX/02               | 92   |
| 57472     | VarioSwitch 010a / 24 V                 | 22   |
| 57435     | VarioSwitch 015a / 24 V                 | 22   |
| 50977     | Vulcan 300 / 19 - 8 silver              | 59   |
| 50766     | Vulcan 43 - 3 silver                    | 59   |
| 54921     | Wall Skimmer                            | 218  |
| 50898     | Water hemisphere 1200                   | 52   |
| 50899     | Water hemisphere 1500                   | 52   |
| 51762     | Water hemisphere 2500                   | 52   |
| 51763     | Water hemisphere 3500                   | 52   |
| 51764     | Water hemisphere 6000                   | 52   |
| 50897     | Water hemisphere 900                    | 52   |
| 55845     | Water level sensor 2000-3/5             | 186  |
| 51559     | Water level sensor 20-3                 | 186  |
| 53918     | Water level sensor 20-4                 | 186  |
| 58970     | Water Screen Nozzle                     | 56   |
| 50895     | Water sphere 1200                       | 52   |
| 50896     | Water sphere 1500                       | 52   |
| 51759     | Water sphere 2500                       | 52   |
| 51760     | Water sphere 3500                       | 52   |
| 51761     | Water sphere 6000                       | 52   |
| 50894     | Water sphere 900                        | 52   |
| 56492     | WECS II 1024 /DMX/02                    | 174  |
| 56507     | WECS II 2048 /DMX/02                    | 180  |
| 43525     | WECS II 512 / 1024 web server-extension | 177  |
| 56491     | WECS II 512 /DMX/02                     | 174  |
| 58976     | WECS II Software                        | 183  |
| 43872     | WECS LTE-Router                         | 191  |
| 51838     | Wind-dependent fountain control 3 K     | 188  |

## PRODUCT OVERVIEW BY ORDER NO.



| Order no. | Description                               | Page |
|-----------|---|------|
| 11702     | DMX / RDM Booster / Splitter 1-4          | 191  |
| 11720     | Connection cable 24 V DC / 15.0 m /01     | 160  |
| 11740     | Connection cable 12 V AC / 15.0 m /01     | 160  |
| 12007     | End resistant for BUS-system DMX/01       | 162  |
| 12368     | Connection cable DMX / 1.0 m /01          | 162  |
| 12369     | Connection cable DMX / 3.0 m /01          | 162  |
| 12371     | Connection cable DMX / 5.0 m /01          | 162  |
| 12372     | Connection cable DMX / 10.0 m /01         | 162  |
| 12373     | Connection cable DMX / 20.0 m /01         | 162  |
| 12374     | Connection cable 12 V AC / 3.0 m /01      | 160  |
| 12375     | Connection cable 12 V AC / 7.5 m /01      | 160  |
| 12552     | Connection cable 24 V DC / 3.0 m /01      | 160  |
| 12553     | Connection cable 24 V DC / 7.5 m /01      | 160  |
| 12762     | Connection cable 24 V DC / 1.0 m /01      | 160  |
| 12768     | Connection cable 12 V AC / 1.0 m /01      | 160  |
| 36500     | Spiral hose green 2", 20 m                | 205  |
| 40234     | AquaActiv AIGo Fountain 5 l               | 220  |
| 40289     | Underwater power supply 250 / 24 V /01    | 170  |
| 40758     | Varionaut 270/DMX/02                      | 98   |
| 42637     | LED-floating fountain illumination white  | 86   |
| 42894     | Repl. set foam red/purple BioTec 60 /140  | 205  |
| 42896     | Replacement set foam blue BioTec 60 /140  | 205  |
| 42913     | ProfiClear pump chamber Compact / Classic | 208  |
| 43524     | Power supply 85/265V AC/24V DC 48W/2 A    | 191  |
| 43525     | WECS II 512 / 1024 web server-extension   | 177  |
| 43872     | WECS LTE-Router                           | 191  |
| 45305     | BT 2.2-40-4 IE3                           | 110  |
| 45306     | BT 1.5-50-4 IE3                           | 110  |
| 45307     | BT 4.0-50-4 IE3                           | 110  |
| 45308     | BT 1.1-65-4 IE3                           | 110  |
| 45309     | BT 3.0-80-4 IE3                           | 110  |

| Order no. | Description                           | Page |
|-----------|---------------------------------------|------|
| 45310     | BT 4.0-80-4 IE3                       | 110  |
| 45311     | BT 5.5-80-4 IE3                       | 110  |
| 45312     | BT 7.5-100-4 IE3                      | 110  |
| 45313     | BT 11.0-100-4 IE3                     | 110  |
| 45314     | BT 15.0-125-4 IE3                     | 110  |
| 45454     | Comet 10-12 silver                    | 42   |
| 45480     | Cluster Eco 15 - 38                   | 47   |
| 50136     | Varionaut 90 24 V /DMX/02             | 92   |
| 50183     | AirFlo 1.5 kW / 230 V                 | 198  |
| 50185     | AirFlo 4.0 kW / 400 V                 | 198  |
| 50272     | StrataFlo II 2 HP 230 V / 1 P / 60 Hz | 198  |
| 50274     | StrataFlo II 5 HP 230 V / 3 P / 60 Hz | 198  |
| 50296     | ProfiMax 7000                         | 106  |
| 50309     | Varionaut 1 /A/ DMX/01                | 92   |
| 50342     | Swivel 24V /DMX/02                    | 28   |
| 50343     | Varionaut 150 /DMX/02                 | 96   |
| 50345     | JumpingJet Rainbow Star /DMX/01       | 18   |
| 50358     | JunctionBox 14 / M 20                 | 156  |
| 50365     | MIDI II 1.1 kW / 230 V                | 82   |
| 50366     | LunAqua 10 LED /01                    | 140  |
| 50367     | ProfiLux LED 370 12 V /01             | 140  |
| 50371     | MAXI II 4.0 kW / 400 V                | 82   |
| 50372     | MIDI II 2 HP / 1 P / 230 V            | 82   |
| 50374     | MAXI II 5 HP / 3 P / 230 V            | 82   |
| 50375     | High Jet 30                           | 50   |
| 50376     | Grand Vulcan 30                       | 58   |
| 50377     | Geyser Jet 30                         | 50   |
| 50378     | Trumpet Jet 30                        | 58   |
| 50401     | Underwater transformer UST 150 /01    | 190  |
| 50431     | Sand filter D 600                     | 216  |
| 50432     | Sand filter D 800                     | 216  |

| Order no. | Description                                    | Page |
|-----------|--|------|
| 50433     | AFM filter medium                              | 216  |
| 50434     | Clear Fountain System                          | 220  |
| 50473     | Rotating nozzle 5 - 30 E                       | 62   |
| 50474     | ProfiLux LED 370 24 V / 01                     | 140  |
| 50477     | NozzleChamber Single                           | 230  |
| 50478     | NozzleChamber Vario                            | 230  |
| 50479     | Illumination set MIDI / MAXI / AirFlo LED / 01 | 86   |
| 50492     | PowerBox 12 V AC / 01                          | 160  |
| 50493     | PowerBox 24 V DC / 01                          | 160  |
| 50517     | Underwater transformer UST 150 / A / 01        | 190  |
| 50523     | Comet Prec 20 - 20 silver                      | 46   |
| 50524     | Fan Jet 10 - 20 - 6 silver                     | 55   |
| 50526     | Varionaut 365 / DMX / 02                       | 100  |
| 50528     | Jumping Jet Rainbow Flash II / DMX / 02        | 20   |
| 50545     | AquaActiv AIGo Universal 5 l                   | 226  |
| 50549     | AquaActiv AIGo Direct 5 l                      | 226  |
| 50555     | AquaActiv PondClear 5 l                        | 226  |
| 50558     | AquaActiv OptiPond 5 l                         | 226  |
| 50561     | AquaActiv SediFree 5 l                         | 226  |
| 50571     | AquaActiv Water analysis Profi-Set             | 226  |
| 50650     | Varionaut 150 24 V / DMX / 02                  | 94   |
| 50665     | Varionaut 150 24 V / DMX / 02                  | 94   |
| 50702     | Multi Directional Drive II / DMX / 02          | 26   |
| 50717     | ProfiLux LED 320 / DMX / 02                    | 120  |
| 50718     | ProfiRing LED 320 / DMX / 02                   | 130  |
| 50719     | ProfiPlane LED 320 / DMX / 02                  | 128  |
| 50720     | Underwater LED Driver / DMX / 02               | 166  |
| 50721     | Comet 3 - 6 silver                             | 42   |
| 50722     | Comet 5 - 10 silver                            | 42   |
| 50723     | Comet 10 - 14 silver                           | 42   |
| 50724     | Comet 15 - 17 silver                           | 42   |
| 50728     | Extension cable hybrid / 3.0 m                 | 164  |
| 50733     | Underwater power supply 250 / 24 V / 01        | 170  |
| 50762     | Comet 5 - 8 silver                             | 42   |
| 50766     | Vulcan 43 - 3 silver                           | 59   |
| 50767     | Gushing nozzle 115 - 15 silver                 | 54   |
| 50768     | Schaumsprudler 75 - 20 silver                  | 64   |
| 50771     | ProfiClear Premium Individual Module           | 210  |
| 50772     | ProfiClear Premium Moving Bed Module           | 210  |
| 50773     | ProfiClear Premium drum filter pump-fed        | 210  |
| 50786     | Lamp Holder                                    | 150  |
| 50884     | Lava 25 - 5 E                                  | 51   |
| 50889     | Lava 30 - 10 E                                 | 51   |
| 50890     | Lava 45 - 10 E                                 | 51   |
| 50891     | Lava 60 - 10 E                                 | 51   |
| 50894     | Water sphere 900                               | 52   |
| 50895     | Water sphere 1200                              | 52   |
| 50896     | Water sphere 1500                              | 52   |
| 50897     | Water hemisphere 900                           | 52   |
| 50898     | Water hemisphere 1200                          | 52   |
| 50899     | Water hemisphere 1500                          | 52   |
| 50911     | Cascade 50 T                                   | 68   |
| 50912     | Cascade 70 T                                   | 68   |
| 50915     | Cascade 90 T                                   | 68   |
| 50916     | Cascade 110 T                                  | 68   |
| 50917     | Cascade 130 T                                  | 68   |
| 50939     | AquaActiv BioKick CWS 2 l                      | 226  |
| 50946     | Bitron Gravity 55 W                            | 202  |
| 50947     | ProfiClear Premium replacem. sieve 150 µ       | 210  |
| 50959     | Comet 3 - 5 T                                  | 44   |
| 50960     | Comet 3 - 6 T                                  | 44   |
| 50963     | Hollow Jet Nozzle 130                          | 48   |
| 50964     | Comet 5 - 8 T                                  | 44   |
| 50965     | Comet 5 - 10 T                                 | 44   |
| 50966     | Hollow Jet Nozzle 68                           | 48   |
| 50967     | Rotating nozzle 5 - 15 E                       | 62   |
| 50968     | Comet 10 - 12 T                                | 44   |
| 50969     | Comet 10 - 14 T                                | 44   |
| 50970     | Comet 15 - 17 T                                | 44   |
| 50971     | Comet 15 - 20 T                                | 44   |
| 50973     | Hollow Jet Nozzle 100                          | 48   |
| 50977     | Vulcan 300 / 19 - 8 silver                     | 59   |
| 50978     | Freestand Light                                | 149  |
| 50984     | Schaumsprudler 35 - 10 E                       | 64   |

| Order no. | Description                              | Page |
|-----------|--|------|
| 50986     | Schaumsprudler 55 - 10 E                 | 64   |
| 50987     | Schaumsprudler 55 - 15 E                 | 64   |
| 50991     | Geysler 20 T                             | 72   |
| 50992     | Geysler 40 T                             | 72   |
| 50993     | Geysler 60 T                             | 72   |
| 50994     | Geysler 80 T                             | 72   |
| 50995     | Geysler 100 T                            | 72   |
| 51015     | Swivel connection 10 silver              | 244  |
| 51016     | Swivel connection 15 silver              | 244  |
| 51017     | Swivel connection 20 silver              | 244  |
| 51018     | Sleeve 10 silver                         | 244  |
| 51019     | Sleeve 15 silver                         | 244  |
| 51020     | Sleeve 20 silver                         | 244  |
| 51021     | Sleeve 30 silver                         | 244  |
| 51022     | Hexagon nippel 10 silver                 | 244  |
| 51023     | Hexagon nippel 15 silver                 | 244  |
| 51024     | Hexagon nippel 20 silver                 | 244  |
| 51025     | Hexagon nippel 30 silver                 | 244  |
| 51026     | Adapter G 10 / NPT 10 silver             | 244  |
| 51027     | Adapter G 15 / NPT 15 silver             | 244  |
| 51028     | Adapter G 20 / NPT 20 silver             | 244  |
| 51029     | Adapter G 30 / NPT 30 silver             | 244  |
| 51030     | Reducing sleeve 20 x 15                  | 245  |
| 51032     | Reducing sleeve 15 x 10                  | 245  |
| 51033     | Flow Valve 10                            | 245  |
| 51034     | Sonde Ph                                 | 220  |
| 51035     | Sonde Redox                              | 220  |
| 51036     | Buffer solution calibration set          | 220  |
| 51058     | Installation kit JumpingJet Rainbow Star | 245  |
| 51061     | ProfiClear Classic pump chamber          | 208  |
| 51062     | OxyPool 9.9 %                            | 220  |
| 51064     | ProfiClear Classic coarse debris extrac. | 208  |
| 51065     | ProfiClear Classic filter foam module    | 208  |
| 51066     | ProfiClear Classic phosphate binder mod. | 208  |
| 51069     | LED-Modul II / DMX / 02                  | 151  |
| 51071     | Illumination set PondJet                 | 86   |
| 51082     | Suction filter basket 200/100/15 E       | 242  |
| 51083     | Suction filter basket 200/166/20 E       | 242  |
| 51084     | Suction filter basket 200/250/25 E       | 242  |
| 51108     | Liner clamping flange 70 T               | 232  |
| 51110     | Finger Nozzle 7-15                       | 60   |
| 51117     | Liner clamping flange 100 T              | 232  |
| 51120     | Overfl. wall-inst. comb. armature 100 E  | 241  |
| 51123     | Return armature 200/100 T                | 236  |
| 51141     | Floor / wall transition 10-175 E         | 238  |
| 51142     | Floor / wall transition 15-175 E         | 238  |
| 51143     | Floor / wall transition 20-175 E         | 238  |
| 51145     | Floor / wall transition F 10-175 E       | 238  |
| 51146     | Floor / wall transition F 15-175 E       | 238  |
| 51147     | Floor / wall transition F 20-175 E       | 238  |
| 51165     | Swivel ball joint 10                     | 245  |
| 51185     | ProfiSkim Premium                        | 224  |
| 51225     | Multi Directional Drive II 3D / DMX / 02 | 24   |
| 51296     | ProfiLux LED 1100 / 01                   | 134  |
| 51334     | Underwater cable connector T 3           | 156  |
| 51341     | Switchgear EL 100 W                      | 172  |
| 51342     | Switchgear EL 101 W                      | 172  |
| 51343     | Switchgear EL 110 W                      | 172  |
| 51344     | Switchgear EL 111 W                      | 172  |
| 51394     | Halogen reflector bulb 50 W, 30°, white  | 147  |
| 51446     | UWS TN 508                               | 146  |
| 51554     | Electronic water level control 1         | 184  |
| 51556     | Solenoid valve ½", 24 V                  | 184  |
| 51557     | Solenoid valve 1", 24 V                  | 184  |
| 51559     | Water level sensor 20-3                  | 186  |
| 51740     | Cable transition 2/15 E                  | 154  |
| 51741     | Cable transition 1/10 E                  | 154  |
| 51753     | Suction filter basket 350/185/80/100E    | 242  |
| 51756     | Suction filter basket 600/280/150/200E   | 242  |
| 51759     | Water sphere 2500                        | 52   |
| 51760     | Water sphere 3500                        | 52   |
| 51761     | Water sphere 6000                        | 52   |
| 51762     | Water hemisphere 2500                    | 52   |
| 51763     | Water hemisphere 3500                    | 52   |

| Order no. | Description                                 | Page |
|-----------|---|------|
| 51764     | Water hemisphere 6000                       | 52   |
| 51838     | Wind-dependent fountain control 3 K         | 188  |
| 51973     | Debris sieve 70 E                           | 232  |
| 51974     | Debris sieve 100 E                          | 232  |
| 52004     | Atlantis 350                                | 103  |
| 52218     | Mylar lace nozzle 22 MS                     | 76   |
| 52219     | Mylar lace 4 / 025                          | 76   |
| 52220     | Mylar lace weight 20 / 100 MS               | 76   |
| 52602     | Overflow / return box 100 E                 | 240  |
| 52790     | Floor / wall transition 40-175 E            | 238  |
| 52909     | UWS TS 111                                  | 148  |
| 52939     | Halogen reflector bulb 50 W, 24°, white G53 | 145  |
| 52941     | Halogen reflector bulb 75 W, 24°, white G53 | 145  |
| 52942     | Halogen reflector bulb 100 W, 10°, white    | 148  |
| 52943     | Halogen reflector bulb 100 W, 24°, white    | 145  |
| 52981     | Spiral hose green 1½", 25 m                 | 205  |
| 53013     | Floor / wall transition F 40-175 E          | 238  |
| 53047     | Fan Jet 15 - 8 E                            | 55   |
| 53056     | Fan Jet 10 - 6 E                            | 55   |
| 53086     | Inflow nozzle 15 E                          | 238  |
| 53091     | pH value reducer pHW 30                     | 220  |
| 53428     | Crystal quartz sand                         | 216  |
| 53834     | SPA 22-23                                   | 112  |
| 53835     | SPA 22-33                                   | 112  |
| 53839     | SPA 35-23                                   | 112  |
| 53841     | SPA 35-43                                   | 112  |
| 53845     | SPA 58-23                                   | 112  |
| 53846     | SPA 58-33                                   | 112  |
| 53852     | SPA 100-13                                  | 112  |
| 53854     | SPA 100-33                                  | 112  |
| 53858     | SPA 162-1-13                                | 112  |
| 53859     | SPA 162-13                                  | 112  |
| 53860     | SPA 162-2-23                                | 112  |
| 53864     | SPA 280-1-13                                | 112  |
| 53865     | SPA 280-13                                  | 112  |
| 53866     | SPA 280-2-23                                | 112  |
| 53913     | Anemometer K                                | 188  |
| 53918     | Water level sensor 20-4                     | 186  |
| 54019     | PondJet                                     | 80   |
| 54034     | LunAqua 10                                  | 144  |
| 54035     | Halogen bulb 35 W                           | 145  |
| 54036     | Halogen bulb 50 W                           | 145  |
| 54037     | Halogen bulb 75 W                           | 145  |
| 54755     | Suction filter basket 350 / 350 / 125 E     | 242  |
| 54921     | Wall Skimmer                                | 218  |
| 55350     | Hollow Jet Nozzle 130                       | 48   |
| 55351     | Backwash Automatic Eurotronik               | 216  |
| 55720     | USP 413 D                                   | 108  |
| 55721     | USP 412 W                                   | 108  |
| 55726     | USP 513 D                                   | 108  |
| 55727     | USP 512 W                                   | 108  |
| 55731     | USP 663 D                                   | 108  |
| 55732     | USP 662 W                                   | 108  |
| 55735     | USP 813 D                                   | 108  |
| 55843     | Supplemental electrode 2000-1               | 186  |
| 55845     | Water level sensor 2000-3/5                 | 186  |
| 55846     | Electronic water level control 2            | 184  |
| 56115     | Varionaut 365 / DMX / 02                    | 100  |
| 56133     | Profilux 101 E                              | 144  |
| 56267     | Profilux LED 110 / DMX / 02                 | 118  |
| 56298     | Profilux LED 110 / DMX / 02                 | 126  |
| 56331     | Profilux LED 350 / 01                       | 132  |
| 56388     | Profilux LED Spot 1500 / DMX / 02           | 122  |
| 56391     | Profilux LED Flood 1500 / DMX / 02          | 124  |
| 56401     | Profilux LED Spot 2200 / 01                 | 136  |
| 56402     | Profilux LED Flood 2200 / 01                | 138  |
| 56403     | Extension cable hybrid / 7.5 m              | 164  |
| 56404     | Hybrid connection box                       | 164  |
| 56405     | Bitron Eco 180 W                            | 200  |
| 56410     | Bitron Eco 240 W                            | 200  |
| 56411     | Underwater Switch 24V / DMX / 02            | 168  |
| 56491     | WECS II 512 / DMX / 02                      | 174  |
| 56492     | WECS II 1024 / DMX / 02                     | 174  |
| 56506     | USP H 673 D                                 | 108  |

| Order no. | Description                                | Page |
|-----------|--|------|
| 56507     | WECS II 2048 / DMX / 02                    | 180  |
| 56617     | Aquarius Universal Premium 5000            | 102  |
| 56636     | Replacement bulb UVC 55 W                  | 203  |
| 56637     | Aquarius Universal Premium 6000            | 102  |
| 56769     | Bitron Eco 120 W                           | 200  |
| 56774     | ProfiClear Premium drum filter gravity fed | 210  |
| 56873     | AquaMax Expert 20000                       | 105  |
| 56874     | AquaMax Expert 30000                       | 105  |
| 56875     | AquaMax Expert 40000                       | 105  |
| 56876     | Aquarius Universal Premium 9000            | 102  |
| 56879     | Aquarius Universal Premium 12000           | 102  |
| 56902     | Bitron C 110 W                             | 202  |
| 57083     | Illumination set PondJet                   | 86   |
| 57091     | AquaMax Eco Gravity 10000                  | 104  |
| 57092     | AquaMax Eco Gravity 15000                  | 104  |
| 57093     | AquaMax Eco Gravity 20000                  | 104  |
| 57097     | Profinaut 6000                             | 107  |
| 57104     | LunAqua 5.1                                | 146  |
| 57134     | ProfiSkim 100                              | 224  |
| 57427     | LunAqua 5.1                                | 146  |
| 57435     | VarioSwitch 015a / 24 V                    | 22   |
| 57462     | Plug 100 T                                 | 232  |
| 57463     | Overflow/drain armature 100/1000 T         | 234  |
| 57464     | Cable transition 7/100 T                   | 154  |
| 57465     | Cable transition 12/100 T                  | 154  |
| 57466     | Standpipe 100/500 T                        | 236  |
| 57467     | Concrete part 100 T                        | 154  |
| 57468     | Plug 70 T                                  | 232  |
| 57469     | Overflow/drain armature 70/1000 T          | 234  |
| 57470     | Cable transition 4/70 T                    | 154  |
| 57471     | Concrete part 70 T                         | 154  |
| 57472     | VarioSwitch 010a / 24 V                    | 22   |
| 57473     | Liner clamping flange 70 T KD              | 154  |
| 57474     | Liner clamping flange 100 T KD             | 154  |
| 57477     | AquaActiv PhosLess Refill pack             | 226  |
| 57479     | AquaAir 250                                | 196  |
| 57480     | Skimmer 250                                | 225  |
| 57486     | JunctionBox 8 / M 20                       | 156  |
| 57487     | AquaAir 250                                | 196  |
| 57488     | Skimmer 250                                | 225  |
| 57646     | DMX-Box / 01                               | 162  |
| 57648     | Power splice 20                            | 158  |
| 57649     | Power splice 43                            | 159  |
| 57690     | Varionaut 150 / DMX / 02                   | 96   |
| 57696     | BioTec ScreenMatic <sup>2</sup> 140000     | 204  |
| 57704     | PondJet Eco                                | 80   |
| 58904     | AirNozzle                                  | 30   |
| 58905     | Fountain Flame                             | 36   |
| 58906     | VarioJet                                   | 34   |
| 58907     | Crown Nozzle                               | 61   |
| 58909     | Fog / Mist System                          | 38   |
| 58916     | LED Stripes                                | 142  |
| 58960     | Clear Lake System                          | 222  |
| 58970     | Water Screen Nozzle                        | 56   |
| 58975     | Flashwall                                  | 32   |
| 58976     | WECS II Software                           | 183  |
| 89012     | Comet 3 - 6 T / NPT                        | 44   |
| 89013     | Comet 5 - 8 T / NPT                        | 44   |
| 89014     | Comet 5 - 10 T / NPT                       | 44   |
| 89015     | Comet 10 - 12 T / NPT                      | 44   |
| 89016     | Comet 10 - 14 T / NPT                      | 44   |
| 89017     | Comet 15 - 17 T / NPT                      | 44   |
| 89018     | Comet 15 - 20 T / NPT                      | 44   |
| 89023     | Geyser 20 T / NPT                          | 72   |
| 89024     | Geyser 40 T / NPT                          | 72   |
| 89025     | Geyser 60 T / NPT                          | 72   |
| 89026     | Geyser 80 T / NPT                          | 72   |
| 89027     | Geyser 100 T / NPT                         | 72   |
| 89051     | Cascade 50 T / NPT                         | 68   |
| 89052     | Cascade 70 T / NPT                         | 68   |
| 89053     | Cascade 90 T / NPT                         | 68   |
| 89054     | Cascade 110 T / NPT                        | 68   |
| 89055     | Cascade 130 T / NPT                        | 68   |



# OASE-COMMERCIAL QUICKFINDER

MISCELLANEOUS

OASE-COMMERCIAL QUICKFINDER

| Order no.      | Product name                       | Fresh Water | Pool Water | Sea Water | 220-240 V | 400 V | 110-120 V | 50 Hz | 60 Hz | 12 V AC | 24 V DC | DMX | DMX/RDM | Plug and Spray | Page |
|----------------|------------------------------------|-------------|------------|-----------|-----------|-------|-----------|-------|-------|---------|---------|-----|---------|----------------|------|
| <b>Nozzles</b> |                                    |             |            |           |           |       |           |       |       |         |         |     |         |                |      |
| 58904          | Air Nozzle 15 E vertical/01        | ✓           | ✓          | ✓*        | ✓         | ✓     | ✓         | ✓     | ✓     | ✓       | ✓       | ✓   | ✓       | ✓              | 30   |
| 58904          | Air Nozzle 20 E horizontal/01      | ✓           | ✓          | ✓*        | ✓         | ✓     | ✓         | ✓     | ✓     | ✓       | ✓       | ✓   | ✓       | ✓              | 30   |
| 58904          | Air Nozzle 20 E vertical/01        | ✓           | ✓          | ✓*        | ✓         | ✓     | ✓         | ✓     | ✓     | ✓       | ✓       | ✓   | ✓       | ✓              | 30   |
| 58904          | Air Nozzle 24 E horizontal/01      | ✓           | ✓          | ✓*        | ✓         | ✓     | ✓         | ✓     | ✓     | ✓       | ✓       | ✓   | ✓       | ✓              | 30   |
| 50911          | Cascade 50 T                       | ✓           | ✓          | ✓         | ✓         | ✓     | ✓         | ✓     | ✓     | ✓       | ✓       | ✓   | ✓       | ✓              | 68   |
| 50912          | Cascade 70 T                       | ✓           | ✓          | ✓         | ✓         | ✓     | ✓         | ✓     | ✓     | ✓       | ✓       | ✓   | ✓       | ✓              | 68   |
| 50915          | Cascade 90 T                       | ✓           | ✓          | ✓         | ✓         | ✓     | ✓         | ✓     | ✓     | ✓       | ✓       | ✓   | ✓       | ✓              | 68   |
| 50916          | Cascade 110 T                      | ✓           | ✓          | ✓         | ✓         | ✓     | ✓         | ✓     | ✓     | ✓       | ✓       | ✓   | ✓       | ✓              | 68   |
| 50917          | Cascade 130 T                      | ✓           | ✓          | ✓         | ✓         | ✓     | ✓         | ✓     | ✓     | ✓       | ✓       | ✓   | ✓       | ✓              | 68   |
| 89051          | Cascade 50 T / NPT                 | ✓           | ✓          | ✓         | ✓         | ✓     | ✓         | ✓     | ✓     | ✓       | ✓       | ✓   | ✓       | ✓              | 68   |
| 89052          | Cascade 70 T / NPT                 | ✓           | ✓          | ✓         | ✓         | ✓     | ✓         | ✓     | ✓     | ✓       | ✓       | ✓   | ✓       | ✓              | 68   |
| 89053          | Cascade 90 T / NPT                 | ✓           | ✓          | ✓         | ✓         | ✓     | ✓         | ✓     | ✓     | ✓       | ✓       | ✓   | ✓       | ✓              | 68   |
| 89054          | Cascade 110 T / NPT                | ✓           | ✓          | ✓         | ✓         | ✓     | ✓         | ✓     | ✓     | ✓       | ✓       | ✓   | ✓       | ✓              | 68   |
| 89055          | Cascade 130 T / NPT                | ✓           | ✓          | ✓         | ✓         | ✓     | ✓         | ✓     | ✓     | ✓       | ✓       | ✓   | ✓       | ✓              | 68   |
| 45480          | Cluster Eco 15 - 38                | ✓           | ✓          | ✓*        | ✓         | ✓     | ✓         | ✓     | ✓     | ✓       | ✓       | ✓   | ✓       | ✓              | 47   |
| 50721          | Comet 3 - 6 silver                 | ✓           | ✓          | ✓         | ✓         | ✓     | ✓         | ✓     | ✓     | ✓       | ✓       | ✓   | ✓       | ✓              | 42   |
| 50762          | Comet 5 - 8 silver                 | ✓           | ✓          | ✓         | ✓         | ✓     | ✓         | ✓     | ✓     | ✓       | ✓       | ✓   | ✓       | ✓              | 42   |
| 50722          | Comet 5 - 10 silver                | ✓           | ✓          | ✓         | ✓         | ✓     | ✓         | ✓     | ✓     | ✓       | ✓       | ✓   | ✓       | ✓              | 42   |
| 45454          | Comet 10 - 12 silver               | ✓           | ✓          | ✓         | ✓         | ✓     | ✓         | ✓     | ✓     | ✓       | ✓       | ✓   | ✓       | ✓              | 42   |
| 50723          | Comet 10 - 14 silver               | ✓           | ✓          | ✓         | ✓         | ✓     | ✓         | ✓     | ✓     | ✓       | ✓       | ✓   | ✓       | ✓              | 42   |
| 50724          | Comet 15 - 17 silver               | ✓           | ✓          | ✓         | ✓         | ✓     | ✓         | ✓     | ✓     | ✓       | ✓       | ✓   | ✓       | ✓              | 42   |
| 50523          | Comet Prec 20 - 20 silver          | ✓           | ✓          | ✓         | ✓         | ✓     | ✓         | ✓     | ✓     | ✓       | ✓       | ✓   | ✓       | ✓              | 46   |
| 50959          | Comet 3 - 5 T                      | ✓           | ✓          | ✓         | ✓         | ✓     | ✓         | ✓     | ✓     | ✓       | ✓       | ✓   | ✓       | ✓              | 44   |
| 50960          | Comet 3 - 6 T                      | ✓           | ✓          | ✓         | ✓         | ✓     | ✓         | ✓     | ✓     | ✓       | ✓       | ✓   | ✓       | ✓              | 44   |
| 50964          | Comet 5 - 8 T                      | ✓           | ✓          | ✓         | ✓         | ✓     | ✓         | ✓     | ✓     | ✓       | ✓       | ✓   | ✓       | ✓              | 44   |
| 50965          | Comet 5 - 10 T                     | ✓           | ✓          | ✓         | ✓         | ✓     | ✓         | ✓     | ✓     | ✓       | ✓       | ✓   | ✓       | ✓              | 44   |
| 50968          | Comet 10 - 12 T                    | ✓           | ✓          | ✓         | ✓         | ✓     | ✓         | ✓     | ✓     | ✓       | ✓       | ✓   | ✓       | ✓              | 44   |
| 50969          | Comet 10 - 14 T                    | ✓           | ✓          | ✓         | ✓         | ✓     | ✓         | ✓     | ✓     | ✓       | ✓       | ✓   | ✓       | ✓              | 44   |
| 50970          | Comet 15 - 17 T                    | ✓           | ✓          | ✓         | ✓         | ✓     | ✓         | ✓     | ✓     | ✓       | ✓       | ✓   | ✓       | ✓              | 44   |
| 50971          | Comet 15 - 20 T                    | ✓           | ✓          | ✓         | ✓         | ✓     | ✓         | ✓     | ✓     | ✓       | ✓       | ✓   | ✓       | ✓              | 44   |
| 89012          | Comet 3 - 6 T / NPT                | ✓           | ✓          | ✓         | ✓         | ✓     | ✓         | ✓     | ✓     | ✓       | ✓       | ✓   | ✓       | ✓              | 44   |
| 89013          | Comet 5 - 8 T / NPT                | ✓           | ✓          | ✓         | ✓         | ✓     | ✓         | ✓     | ✓     | ✓       | ✓       | ✓   | ✓       | ✓              | 44   |
| 89014          | Comet 5 - 10 T / NPT               | ✓           | ✓          | ✓         | ✓         | ✓     | ✓         | ✓     | ✓     | ✓       | ✓       | ✓   | ✓       | ✓              | 44   |
| 89015          | Comet 10 - 12 T / NPT              | ✓           | ✓          | ✓         | ✓         | ✓     | ✓         | ✓     | ✓     | ✓       | ✓       | ✓   | ✓       | ✓              | 44   |
| 89016          | Comet 10 - 14 T / NPT              | ✓           | ✓          | ✓         | ✓         | ✓     | ✓         | ✓     | ✓     | ✓       | ✓       | ✓   | ✓       | ✓              | 44   |
| 89017          | Comet 15 - 17 T / NPT              | ✓           | ✓          | ✓         | ✓         | ✓     | ✓         | ✓     | ✓     | ✓       | ✓       | ✓   | ✓       | ✓              | 44   |
| 89018          | Comet 15 - 20 T / NPT              | ✓           | ✓          | ✓         | ✓         | ✓     | ✓         | ✓     | ✓     | ✓       | ✓       | ✓   | ✓       | ✓              | 44   |
| 58907          | Crown Nozzle                       | ✓           | ✓          | ✓*        | ✓         | ✓     | ✓         | ✓     | ✓     | ✓       | ✓       | ✓   | ✓       | ✓              | 61   |
| 53056          | Fan Jet 10 - 6 E                   | ✓           | ✓          | ✓         | ✓         | ✓     | ✓         | ✓     | ✓     | ✓       | ✓       | ✓   | ✓       | ✓              | 55   |
| 50524          | Fan Jet 10 - 20 - 6 Silver         | ✓           | ✓          | ✓         | ✓         | ✓     | ✓         | ✓     | ✓     | ✓       | ✓       | ✓   | ✓       | ✓              | 55   |
| 53047          | Fan Jet 15 - 8 E                   | ✓           | ✓          | ✓         | ✓         | ✓     | ✓         | ✓     | ✓     | ✓       | ✓       | ✓   | ✓       | ✓              | 55   |
| 51110          | Finger Nozzle 7-15 E               | ✓           | ✓          | ✓         | ✓         | ✓     | ✓         | ✓     | ✓     | ✓       | ✓       | ✓   | ✓       | ✓              | 60   |
| 58975          | Flashwall                          | ✓           | ✓          | ✓         | ✓         | ✓     | ✓         | ✓     | ✓     | ✓       | ✓       | ✓   | ✓       | ✓              | 32   |
| 58909          | Fog / Mist System                  | ✓*          | ✓          | ✓         | ✓         | ✓     | ✓         | ✓     | ✓     | ✓       | ✓       | ✓   | ✓       | ✓              | 38   |
| 58905          | Fountain Flame 24 V/DMX/02         | ✓           | ✓*         | ✓         | ✓         | ✓     | ✓         | ✓     | ✓     | ✓       | ✓       | ✓   | ✓       | ✓              | 36   |
| 58905          | Fountain Flame/DMX/02/V2           | ✓           | ✓*         | ✓         | ✓         | ✓     | ✓         | ✓     | ✓     | ✓       | ✓       | ✓   | ✓       | ✓              | 36   |
| 50991          | Geyser 20 T                        | ✓           | ✓          | ✓         | ✓         | ✓     | ✓         | ✓     | ✓     | ✓       | ✓       | ✓   | ✓       | ✓              | 72   |
| 50992          | Geyser 40 T                        | ✓           | ✓          | ✓         | ✓         | ✓     | ✓         | ✓     | ✓     | ✓       | ✓       | ✓   | ✓       | ✓              | 72   |
| 50993          | Geyser 60 T                        | ✓           | ✓          | ✓         | ✓         | ✓     | ✓         | ✓     | ✓     | ✓       | ✓       | ✓   | ✓       | ✓              | 72   |
| 50994          | Geyser 80 T                        | ✓           | ✓          | ✓         | ✓         | ✓     | ✓         | ✓     | ✓     | ✓       | ✓       | ✓   | ✓       | ✓              | 72   |
| 50995          | Geyser 100 T                       | ✓           | ✓          | ✓         | ✓         | ✓     | ✓         | ✓     | ✓     | ✓       | ✓       | ✓   | ✓       | ✓              | 72   |
| 89023          | Geyser 20 T / NPT                  | ✓           | ✓          | ✓         | ✓         | ✓     | ✓         | ✓     | ✓     | ✓       | ✓       | ✓   | ✓       | ✓              | 72   |
| 89024          | Geyser 40 T / NPT                  | ✓           | ✓          | ✓         | ✓         | ✓     | ✓         | ✓     | ✓     | ✓       | ✓       | ✓   | ✓       | ✓              | 72   |
| 89025          | Geyser 60 T / NPT                  | ✓           | ✓          | ✓         | ✓         | ✓     | ✓         | ✓     | ✓     | ✓       | ✓       | ✓   | ✓       | ✓              | 72   |
| 89026          | Geyser 80 T / NPT                  | ✓           | ✓          | ✓         | ✓         | ✓     | ✓         | ✓     | ✓     | ✓       | ✓       | ✓   | ✓       | ✓              | 72   |
| 89027          | Geyser 100 T / NPT                 | ✓           | ✓          | ✓         | ✓         | ✓     | ✓         | ✓     | ✓     | ✓       | ✓       | ✓   | ✓       | ✓              | 72   |
| 50377          | Geyser Jet 30                      | ✓           | ✓          | ✓         | ✓         | ✓     | ✓         | ✓     | ✓     | ✓       | ✓       | ✓   | ✓       | ✓              | 50   |
| 50376          | Grand Vulcan 30                    | ✓           | ✓          | ✓         | ✓         | ✓     | ✓         | ✓     | ✓     | ✓       | ✓       | ✓   | ✓       | ✓              | 58   |
| 50767          | Gushing nozzle 115 - 15 silver     | ✓           | ✓          | ✓         | ✓         | ✓     | ✓         | ✓     | ✓     | ✓       | ✓       | ✓   | ✓       | ✓              | 54   |
| 50375          | High Jet 30                        | ✓           | ✓          | ✓         | ✓         | ✓     | ✓         | ✓     | ✓     | ✓       | ✓       | ✓   | ✓       | ✓              | 50   |
| 50966          | Hollow Jet Nozzle 68               | ✓           | ✓          | ✓         | ✓         | ✓     | ✓         | ✓     | ✓     | ✓       | ✓       | ✓   | ✓       | ✓              | 48   |
| 50973          | Hollow Jet Nozzle 100              | ✓           | ✓          | ✓         | ✓         | ✓     | ✓         | ✓     | ✓     | ✓       | ✓       | ✓   | ✓       | ✓              | 48   |
| 55350          | Hollow Jet Nozzle 130              | ✓           | ✓          | ✓         | ✓         | ✓     | ✓         | ✓     | ✓     | ✓       | ✓       | ✓   | ✓       | ✓              | 48   |
| 50963          | Hollow Jet Nozzle 130              | ✓           | ✓          | ✓         | ✓         | ✓     | ✓         | ✓     | ✓     | ✓       | ✓       | ✓   | ✓       | ✓              | 48   |
| 50528          | JumpingJet Rainbow Flash II/DMX/02 | ✓           | ✓          | ✓*        | ✓         | ✓     | ✓         | ✓     | ✓     | ✓       | ✓       | ✓   | ✓       | ✓              | 20   |
| 50345          | JumpingJet Rainbow Star/DMX/01     | ✓           | ✓          | ✓         | ✓         | ✓     | ✓         | ✓     | ✓     | ✓       | ✓       | ✓   | ✓       | ✓              | 18   |
| 50884          | Lava 25 - 5 E                      | ✓           | ✓          | ✓         | ✓         | ✓     | ✓         | ✓     | ✓     | ✓       | ✓       | ✓   | ✓       | ✓              | 51   |

| Order no. | Product name                          | Fresh Water | Pool Water | Sea Water | 220-240 V | 400 V | 110-120 V | 50 Hz | 60 Hz | 12 V AC | 24 V DC | DMX | DMX/RDM | Plug and Spray | Page |
|-----------|---------------------------------------|-------------|------------|-----------|-----------|-------|-----------|-------|-------|---------|---------|-----|---------|----------------|------|
| 50889     | Lava 30 - 10 E                        | ✓           | ✓          | ✓         | ✓         | ✓     | ✓         | ✓     | ✓     | ✓       | ✓       | ✓   | ✓       | ✓              | 51   |
| 50890     | Lava 45 - 10 E                        | ✓           | ✓          | ✓         | ✓         | ✓     | ✓         | ✓     | ✓     | ✓       | ✓       | ✓   | ✓       | ✓              | 51   |
| 50891     | Lava 60 - 10 E                        | ✓           | ✓          | ✓         | ✓         | ✓     | ✓         | ✓     | ✓     | ✓       | ✓       | ✓   | ✓       | ✓              | 51   |
| 50702     | Multi Directional Drive II /DMX/02    | ✓           | ✓          | ✓         | ✓         | ✓     | ✓         | ✓     | ✓     | ✓       | ✓       | ✓   | ✓       | ✓              | 26   |
| 51225     | Multi Directional Drive II 3 D/DMX/02 | ✓           | ✓          | ✓         | ✓         | ✓     | ✓         | ✓     | ✓     | ✓       | ✓       | ✓   | ✓       | ✓              | 24   |
| 52219     | Mylar lace 4/025                      | ✓           | ✓          | ✓         | ✓         | ✓     | ✓         | ✓     | ✓     | ✓       | ✓       | ✓   | ✓       | ✓              | 76   |
| 52218     | Mylar lace nozzle 22 MS               | ✓           | ✓          | ✓         | ✓         | ✓     | ✓         | ✓     | ✓     | ✓       | ✓       | ✓   | ✓       | ✓              | 76   |
| 52220     | Mylar lace weight 20/100 MS           | ✓           | ✓          | ✓         | ✓         | ✓     | ✓         | ✓     | ✓     | ✓       | ✓       | ✓   | ✓       | ✓              | 76   |
| 50967     | Rotating nozzle 5 - 15 E              | ✓           | ✓          | ✓         | ✓         | ✓     | ✓         | ✓     | ✓     | ✓       | ✓       | ✓   | ✓       | ✓              | 62   |
| 50473     | Rotating nozzle 5 - 30 E              | ✓           | ✓          | ✓         | ✓         | ✓     | ✓         | ✓     | ✓     | ✓       | ✓       | ✓   | ✓       | ✓              | 62   |
| 50984     | Schaumsprudler 35 - 10 E              | ✓           | ✓          | ✓         | ✓         | ✓     | ✓         | ✓     | ✓     | ✓       | ✓       | ✓   | ✓       | ✓              | 64   |
| 50986     | Schaumsprudler 55 - 10 E              | ✓           | ✓          | ✓         | ✓         | ✓     | ✓         | ✓     | ✓     | ✓       | ✓       | ✓   | ✓       | ✓              | 64   |
| 50987     | Schaumsprudler 55 - 10 E              | ✓           | ✓          | ✓         | ✓         | ✓     | ✓         | ✓     | ✓     | ✓       | ✓       | ✓   | ✓       | ✓              | 64   |
| 50768     | Schaumsprudler 75 - 20 silver         | ✓           | ✓          | ✓         | ✓         | ✓     | ✓         | ✓     | ✓     | ✓       | ✓       | ✓   | ✓       | ✓              | 64   |
| 50342     | Swivel / DMX/02                       | ✓           | ✓          | ✓*        | ✓         | ✓     | ✓         | ✓     | ✓     | ✓       | ✓       | ✓   | ✓       | ✓              | 28   |
| 50378     | Trumpet Jet 30                        | ✓           | ✓          | ✓         | ✓         | ✓     | ✓         | ✓     | ✓     | ✓       | ✓       | ✓   | ✓       | ✓              | 58   |
| 57472     | VarioSwitch 010a / 24 V               | ✓           | ✓          | ✓         | ✓         | ✓     | ✓         | ✓     | ✓     | ✓       | ✓       | ✓   | ✓       | ✓              | 22   |
| 57435     | VarioSwitch 015a / 24 V               | ✓           | ✓          | ✓         | ✓         | ✓     | ✓         | ✓     | ✓     | ✓       | ✓       | ✓   | ✓       | ✓              | 22   |
| 58906     | VarioJet                              | ✓           | ✓          | ✓*        | ✓         | ✓     | ✓         | ✓     | ✓     | ✓       | ✓       | ✓   | ✓       | ✓              | 34   |
| 50766     | Vulcan 43 - 3 silver                  | ✓           | ✓          | ✓         | ✓         | ✓     | ✓         | ✓     | ✓     | ✓       | ✓       | ✓   | ✓       | ✓              | 59   |
| 50977     | Vulcan 300 / 19 - 8 silver            | ✓           | ✓          | ✓         | ✓         | ✓     | ✓         | ✓     | ✓     | ✓       | ✓       | ✓   | ✓       | ✓              | 59   |
| 50897     | Water hemisphere 900                  | ✓           | ✓          | ✓         | ✓         | ✓     | ✓         | ✓     | ✓     | ✓       | ✓       | ✓   | ✓       | ✓              | 52   |
| 50898     | Water hemisphere 1200                 | ✓           | ✓          | ✓         | ✓         | ✓     | ✓         | ✓     | ✓     | ✓       | ✓       | ✓   | ✓       | ✓              | 52   |
| 50899     | Water hemisphere 1500                 | ✓           | ✓          | ✓         | ✓         | ✓     | ✓         | ✓     | ✓     | ✓       | ✓       | ✓   | ✓       | ✓              | 52   |
| 51762     | Water hemisphere 2500                 | ✓           | ✓          | ✓         | ✓         | ✓     | ✓         | ✓     | ✓     | ✓       | ✓       | ✓   | ✓       | ✓              | 52   |
| 51763     | Water hemisphere 3500                 | ✓           | ✓          | ✓         | ✓         | ✓     | ✓         | ✓     | ✓     | ✓       | ✓       | ✓   | ✓       | ✓              | 52   |
| 51764     | Water hemisphere 6000                 | ✓           | ✓          | ✓         | ✓         | ✓     | ✓         | ✓     | ✓     | ✓       | ✓       | ✓   | ✓       | ✓              | 52   |
| 58970     | Water Screen Nozzle                   | ✓           | ✓          | ✓*        | ✓         | ✓     | ✓         | ✓     | ✓     | ✓       | ✓       | ✓   | ✓       | ✓              | 56   |
| 50894     | Water sphere 900                      | ✓           | ✓          | ✓         | ✓         | ✓     | ✓         | ✓     | ✓     | ✓       | ✓       | ✓   | ✓       | ✓              | 52   |
| 50895     | Water sphere 1200                     | ✓           | ✓          | ✓         | ✓         | ✓     | ✓         | ✓     | ✓     | ✓       | ✓       | ✓   | ✓       | ✓              | 52   |
| 50896     | Water sphere 1500                     | ✓           | ✓          | ✓         | ✓         | ✓     | ✓         | ✓     | ✓     | ✓       | ✓       | ✓   | ✓       | ✓              | 52   |
| 51759     | Water sphere 2500                     | ✓           | ✓          | ✓         | ✓         | ✓     | ✓         | ✓     | ✓     | ✓       | ✓       | ✓   | ✓       | ✓              | 52   |
| 51760     | Water sphere 3500                     | ✓           | ✓          | ✓         | ✓         | ✓     | ✓         | ✓     | ✓     | ✓       | ✓       | ✓   | ✓       | ✓              | 52   |
| 51761     | Water sphere 6000                     | ✓           | ✓          | ✓         | ✓         | ✓     | ✓         | ✓     | ✓     | ✓       | ✓       | ✓   | ✓       | ✓              | 52   |

| Floating Fountains |  |   |   |   |   |   |   |   |   |   |    |   |   |   |    |
|--------------------|--|---|---|---|---|---|---|---|---|---|----|---|---|---|----|
| 50479              | Illumination set MIDI/MAXI/AirFlo LED/01 | ✓ | ✓ | ✓ | ✓ | ✓ | ✓ | ✓ | ✓ | ✓ | ✓  | ✓ | ✓ | ✓ | 86 |
| 57083              | Illumination set PondJet                 | ✓ | ✓ | ✓ | ✓ | ✓ | ✓ | ✓ | ✓ | ✓ | ✓  | ✓ | ✓ | ✓ | 86 |
| 51071              | Illumination set PondJet                 | ✓ | ✓ | ✓ | ✓ | ✓ | ✓ | ✓ | ✓ | ✓ | ✓  | ✓ | ✓ | ✓ | 86 |
| 42637              | LED-floating fountain illumination white | ✓ | ✓ | ✓ | ✓ | ✓ | ✓ | ✓ | ✓ | ✓ | ✓* | ✓ | ✓ | ✓ | 86 |
| 50371              | MAXI II 4,0 kW / 400 V                   | ✓ | ✓ | ✓ | ✓ | ✓ | ✓ | ✓ | ✓ | ✓ | ✓  | ✓ | ✓ | ✓ | 82 |
| 50374              | MAXI II 5HP / 3-Phase                    | ✓ | ✓ | ✓ | ✓ | ✓ | ✓ | ✓ | ✓ | ✓ | ✓  | ✓ | ✓ | ✓ | 82 |
| 50365              | MIDI II 1,1 kW / 230 V                   | ✓ | ✓ | ✓ | ✓ | ✓ | ✓ | ✓ | ✓ | ✓ | ✓  | ✓ | ✓ | ✓ | 82 |
| 50372              | MIDI II 2HP / 230V 60Hz                  | ✓ | ✓ | ✓ | ✓ | ✓ | ✓ | ✓ | ✓ | ✓ | ✓  | ✓ | ✓ | ✓ | 82 |
| 54019              | PondJet                                  | ✓ | ✓ | ✓ | ✓ | ✓ | ✓ | ✓ | ✓ | ✓ | ✓  | ✓ | ✓ | ✓ | 80 |
| 57704              | PondJet Eco                              | ✓ | ✓ | ✓ | ✓ | ✓ | ✓ | ✓ | ✓ | ✓ | ✓  | ✓ | ✓ | ✓ | 80 |

| Pumps |                                  |   |    |    |   |   |   |   |   |   |   |   |   |   |     |
|-------|----------------------------------|---|----|----|---|---|---|---|---|---|---|---|---|---|-----|
| 56873 | AquaMax Expert 20000             | ✓ | ✓  | ✓  | ✓ | ✓ | ✓ | ✓ | ✓ | ✓ | ✓ | ✓ | ✓ | ✓ | 105 |
| 56874 | AquaMax Expert 30000             | ✓ | ✓  | ✓  | ✓ | ✓ | ✓ | ✓ | ✓ | ✓ | ✓ | ✓ | ✓ | ✓ | 105 |
| 56875 | AquaMax Expert 40000             | ✓ | ✓  | ✓  | ✓ | ✓ | ✓ | ✓ | ✓ | ✓ | ✓ | ✓ | ✓ | ✓ | 105 |
| 57091 | AquaMax Eco Gravity 10000        | ✓ | ✓  | ✓  | ✓ | ✓ | ✓ | ✓ | ✓ | ✓ | ✓ | ✓ | ✓ | ✓ | 104 |
| 57092 | AquaMax Eco Gravity 15000        | ✓ | ✓  | ✓  | ✓ | ✓ | ✓ | ✓ | ✓ | ✓ | ✓ | ✓ | ✓ | ✓ | 104 |
| 57093 | AquaMax Eco Gravity 20000        | ✓ | ✓  | ✓  | ✓ | ✓ | ✓ | ✓ | ✓ | ✓ | ✓ | ✓ | ✓ | ✓ | 104 |
| 56617 | Aquarius Universal Premium 5000  | ✓ | ✓  | ✓  | ✓ | ✓ | ✓ | ✓ | ✓ | ✓ | ✓ | ✓ | ✓ | ✓ | 102 |
| 56637 | Aquarius Universal Premium 6000  | ✓ | ✓  | ✓  | ✓ | ✓ | ✓ | ✓ | ✓ | ✓ | ✓ | ✓ | ✓ | ✓ | 102 |
| 56876 | Aquarius Universal Premium 9000  | ✓ | ✓  | ✓  | ✓ | ✓ | ✓ | ✓ | ✓ | ✓ | ✓ | ✓ | ✓ | ✓ | 102 |
| 56879 | Aquarius Universal Premium 12000 | ✓ | ✓  | ✓  | ✓ | ✓ | ✓ | ✓ | ✓ | ✓ | ✓ | ✓ | ✓ | ✓ | 102 |
| 52004 | Atlantis 350                     | ✓ | ✓  | ✓  | ✓ | ✓ | ✓ | ✓ | ✓ | ✓ | ✓ | ✓ | ✓ | ✓ | 103 |
| 45308 | BT 1.1-65-4 IE 3                 | ✓ | ✓  | ✓  | ✓ | ✓ | ✓ | ✓ | ✓ | ✓ | ✓ | ✓ | ✓ | ✓ | 110 |
| 45306 | BT 1.5-50-4 IE 3                 | ✓ | ✓  | ✓  | ✓ | ✓ | ✓ | ✓ | ✓ | ✓ | ✓ | ✓ | ✓ | ✓ | 110 |
| 45305 | BT 2.2-40-4 IE 3                 | ✓ | ✓  | ✓  | ✓ | ✓ | ✓ | ✓ | ✓ | ✓ | ✓ | ✓ | ✓ | ✓ | 110 |
| 45309 | BT 3.0-80-4 IE 3                 | ✓ | ✓  | ✓  | ✓ | ✓ | ✓ | ✓ | ✓ | ✓ | ✓ | ✓ | ✓ | ✓ | 110 |
| 45307 | BT 4.0-50-4 IE 3                 | ✓ | ✓  | ✓  | ✓ | ✓ | ✓ | ✓ | ✓ | ✓ | ✓ | ✓ | ✓ | ✓ | 110 |
| 45310 | BT 4.0-80-4 IE 3                 | ✓ | ✓  | ✓  | ✓ | ✓ | ✓ | ✓ | ✓ | ✓ | ✓ | ✓ | ✓ | ✓ | 110 |
| 45311 | BT 5.5-80-4 IE 3                 | ✓ | ✓  | ✓  | ✓ | ✓ | ✓ | ✓ | ✓ | ✓ | ✓ | ✓ | ✓ | ✓ | 110 |
| 45312 | BT 7.5-100-4 IE 3                | ✓ | ✓  | ✓  | ✓ | ✓ | ✓ | ✓ | ✓ | ✓ | ✓ | ✓ | ✓ | ✓ | 110 |
| 45313 | BT 11.0-100-4 IE 3               | ✓ | ✓  | ✓  | ✓ | ✓ | ✓ | ✓ | ✓ | ✓ | ✓ | ✓ | ✓ | ✓ | 110 |
| 45314 | BT 15.0-125-4 IE 3               | ✓ | ✓  | ✓  | ✓ | ✓ | ✓ | ✓ | ✓ | ✓ | ✓ | ✓ | ✓ | ✓ | 110 |
| 50296 | Profimax 7000 USA                | ✓ | ✓  | ✓  | ✓ | ✓ | ✓ | ✓ | ✓ | ✓ | ✓ | ✓ | ✓ | ✓ | 106 |
| 57097 | Profinaut 6000 USA               | ✓ | ✓  | ✓  | ✓ | ✓ | ✓ | ✓ | ✓ | ✓ | ✓ | ✓ | ✓ | ✓ | 107 |
| 53834 | SPA 22-23                        | ✓ | ✓* | ✓* | ✓ | ✓ | ✓ | ✓ | ✓ | ✓ | ✓ | ✓ | ✓ | ✓ | 112 |
| 53835 | SPA 22-33                        | ✓ | ✓* | ✓* | ✓ | ✓ | ✓ | ✓ | ✓ | ✓ | ✓ | ✓ | ✓ | ✓ | 112 |
| 53839 | SPA 35-23                        | ✓ | ✓* | ✓* | ✓ | ✓ | ✓ | ✓ | ✓ | ✓ | ✓ | ✓ | ✓ | ✓ | 112 |
| 53841 | SPA 35-43                        | ✓ | ✓* | ✓* | ✓ | ✓ | ✓ | ✓ | ✓ | ✓ | ✓ | ✓ | ✓ | ✓ | 112 |
| 53845 | SPA 58-23                        | ✓ | ✓* | ✓* | ✓ | ✓ | ✓ | ✓ | ✓ | ✓ | ✓ | ✓ | ✓ | ✓ | 112 |
| 53846 | SPA 58-33                        | ✓ | ✓* | ✓* | ✓ | ✓ | ✓ | ✓ | ✓ | ✓ | ✓ | ✓ | ✓ | ✓ | 112 |

| Order no. | Product name                | Fresh Water | Pool Water | Sea Water | 220-240 V | 400 V | 110-120 V | 50 Hz | 60 Hz | 12 V AC | 24 V DC | DMX | DMX/RDM | Plug and Spray | Page |
|-----------|-----------------------------|-------------|------------|-----------|-----------|-------|-----------|-------|-------|---------|---------|-----|---------|----------------|------|
| 53852     | SPA 100-13                  | ✓           | ✓*         | ✓*        | ✓         | ✓     | ✓         | ✓     | ✓     | ✓       | ✓       | ✓   | ✓       | ✓              | 112  |
| 53854     | SPA 100-33                  | ✓           | ✓*         | ✓*        | ✓         | ✓     | ✓         | ✓     | ✓     | ✓       | ✓       | ✓   | ✓       | ✓              | 112  |
| 53858     | SPA 162-1-13                | ✓           | ✓*         | ✓*        | ✓         | ✓     | ✓         | ✓     | ✓     | ✓       | ✓       | ✓   | ✓       | ✓              | 112  |
| 53859     | SPA 162-13                  | ✓           | ✓*         | ✓*        | ✓         | ✓     | ✓         | ✓     | ✓     | ✓       | ✓       | ✓   | ✓       | ✓              | 112  |
| 53860     | SPA 162-2-23                | ✓           | ✓*         | ✓*        | ✓         | ✓     | ✓         | ✓     | ✓     | ✓       | ✓       | ✓   | ✓       | ✓              | 112  |
| 53864     | SPA 280-1-13                | ✓           | ✓*         | ✓*        | ✓         | ✓     | ✓         | ✓     | ✓     | ✓       | ✓       | ✓   | ✓       | ✓              | 112  |
| 53865     | SPA 280-13                  | ✓           | ✓*         | ✓*        | ✓         | ✓     | ✓         | ✓     | ✓     | ✓       | ✓       | ✓   | ✓       | ✓              | 112  |
| 53866     | SPA 280-2-23                | ✓           | ✓*         | ✓*        | ✓         | ✓     | ✓         | ✓     | ✓     | ✓       | ✓       | ✓   | ✓       | ✓              | 112  |
| 55721     | USP 412 W                   | ✓           | ✓          | ✓         | ✓         | ✓     | ✓         | ✓     | ✓     | ✓       | ✓       | ✓   | ✓       | ✓              | 108  |
| 55720     | USP 413 D                   | ✓           | ✓          | ✓         | ✓         | ✓     | ✓         | ✓     | ✓     | ✓       | ✓       | ✓   | ✓       | ✓              | 108  |
| 55727     | USP 512 W                   | ✓           | ✓          | ✓         | ✓         | ✓     | ✓         | ✓     | ✓     | ✓       | ✓       | ✓   | ✓       | ✓              | 108  |
| 55726     | USP 513 D                   | ✓           | ✓          | ✓         | ✓         | ✓     | ✓         | ✓     | ✓     | ✓       | ✓       | ✓   | ✓       | ✓              | 108  |
| 55732     | USP 662 W                   | ✓           | ✓          | ✓         | ✓         | ✓     | ✓         | ✓     | ✓     | ✓       | ✓       | ✓   | ✓       | ✓              | 108  |
| 55731     | USP 663 D                   | ✓           | ✓          | ✓         | ✓         | ✓     | ✓         | ✓     | ✓     | ✓       | ✓       | ✓   | ✓       | ✓              | 108  |
| 55735     | USP 813 D                   | ✓           | ✓          | ✓         | ✓         | ✓     | ✓         | ✓     | ✓     | ✓       | ✓       | ✓   | ✓       | ✓              | 108  |
| 56506     | USP H 673 D                 | ✓           | ✓          | ✓         | ✓         | ✓     | ✓         | ✓     | ✓     | ✓       | ✓       | ✓   | ✓       | ✓              | 108  |
| 50136     | Varionaut 90 24 V /DMX/02   | ✓           | ✓          | ✓         | ✓         | ✓     | ✓         | ✓     | ✓     | ✓       | ✓       | ✓   | ✓       | ✓              | 92   |
| 50309     | Varionaut 1 /A/ DMX/01      | ✓           | ✓          | ✓         | ✓         | ✓     | ✓         | ✓     | ✓     | ✓       | ✓       | ✓   | ✓       | ✓              | 92   |
| 50665     | Varionaut 150 24V / DMX /02 | ✓           | ✓          | ✓         | ✓         | ✓     | ✓         | ✓     | ✓     | ✓       | ✓       | ✓   | ✓       | ✓              | 94   |
| 57650     | Varionaut 150 24V / DMX /02 | ✓           | ✓          | ✓         | ✓         | ✓     | ✓         | ✓     | ✓     | ✓       | ✓       | ✓   | ✓       | ✓              | 94   |
| 50343     | Varionaut 150 /DMX/02       | ✓           | ✓          | ✓         | ✓         | ✓     | ✓         | ✓     | ✓     | ✓       | ✓       | ✓   | ✓       | ✓              | 96   |
| 57690     | Varionaut 150 /DMX/02       | ✓           | ✓          | ✓         | ✓         | ✓     | ✓         | ✓     | ✓     | ✓       | ✓       | ✓   | ✓       | ✓              | 96   |
| 40758     | Varionaut 270 /DMX/02       | ✓           | ✓          | ✓         | ✓         | ✓     | ✓         | ✓     | ✓     | ✓       | ✓       | ✓   | ✓       | ✓              | 98   |
| 50526     | Varionaut 365 /DMX/02       | ✓           | ✓          | ✓         | ✓         | ✓     | ✓         | ✓     | ✓     | ✓       | ✓       | ✓   | ✓       | ✓              | 100  |
| 56115     | Varionaut 365 /DMX/02       | ✓           | ✓          | ✓         | ✓         | ✓     | ✓         | ✓     | ✓     | ✓       | ✓       | ✓   | ✓       | ✓              | 100  |

| Illumination |   |   |   |   |   |   |   |   |   |   |   |   |   |   |     |
|--------------|---|---|---|---|---|---|---|---|---|---|---|---|---|---|-----|
| 50978        | Freestand Light                             | ✓ | ✓ | ✓ | ✓ | ✓ | ✓ | ✓ | ✓ | ✓ | ✓ | ✓ | ✓ | ✓ | 149 |
| 54035        | Halogen bulb 35 W                           | ✓ | ✓ | ✓ | ✓ | ✓ | ✓ | ✓ | ✓ | ✓ | ✓ | ✓ | ✓ | ✓ | 145 |
| 54036        | Halogen bulb 50 W                           | ✓ | ✓ | ✓ | ✓ | ✓ | ✓ | ✓ | ✓ | ✓ | ✓ | ✓ | ✓ | ✓ | 145 |
| 54037        | Halogen bulb 75 W                           | ✓ | ✓ | ✓ | ✓ | ✓ | ✓ | ✓ | ✓ | ✓ | ✓ | ✓ | ✓ | ✓ | 145 |
| 52942        | Halogen reflector bulb 100 W, 10°, white    | ✓ | ✓ | ✓ | ✓ | ✓ | ✓ | ✓ | ✓ | ✓ | ✓ | ✓ | ✓ | ✓ | 148 |
| 52943        | Halogen reflector bulb 100 W, 24°, white    | ✓ | ✓ | ✓ | ✓ | ✓ | ✓ | ✓ | ✓ | ✓ | ✓ | ✓ | ✓ | ✓ | 145 |
| 51394        | Halogen reflector bulb 50 W, 30°, white     | ✓ | ✓ | ✓ | ✓ | ✓ | ✓ | ✓ | ✓ | ✓ | ✓ | ✓ | ✓ | ✓ | 147 |
| 52939        | Halogen reflector bulb 50 W, 24°, white G53 | ✓ | ✓ | ✓ | ✓ | ✓ | ✓ | ✓ | ✓ | ✓ | ✓ | ✓ | ✓ | ✓ | 145 |
| 52941        | Halogen reflector bulb 75 W, 24°, white G53 | ✓ | ✓ | ✓ | ✓ | ✓ | ✓ | ✓ | ✓ | ✓ | ✓ | ✓ | ✓ | ✓ | 145 |
| 50786        | Lamp Holder                                 | ✓ | ✓ | ✓ | ✓ | ✓ | ✓ | ✓ | ✓ | ✓ | ✓ | ✓ | ✓ | ✓ | 150 |
| 58916        | LED Stripes                                 | ✓ | ✓ | ✓ | ✓ | ✓ | ✓ | ✓ | ✓ | ✓ | ✓ | ✓ | ✓ | ✓ | 142 |
| 51069        | LED-Module II 960 /DMX/02                   | ✓ | ✓ | ✓ | ✓ | ✓ | ✓ | ✓ | ✓ | ✓ | ✓ | ✓ | ✓ | ✓ | 151 |
| 54034        | LunAqua 10                                  | ✓ | ✓ | ✓ | ✓ | ✓ | ✓ | ✓ | ✓ | ✓ | ✓ | ✓ | ✓ | ✓ | 144 |
| 50366        | LunAqua 10 LED /01                          | ✓ | ✓ | ✓ | ✓ | ✓ | ✓ | ✓ | ✓ | ✓ | ✓ | ✓ | ✓ | ✓ | 140 |
| 57427        | LunAqua 5.1                                 | ✓ | ✓ | ✓ | ✓ | ✓ | ✓ | ✓ | ✓ | ✓ | ✓ | ✓ | ✓ | ✓ | 146 |
| 57104        | LunAqua 5.1                                 | ✓ | ✓ | ✓ | ✓ | ✓ | ✓ | ✓ | ✓ | ✓ | ✓ | ✓ | ✓ | ✓ | 146 |
| 56267        | ProfiLux LED 110 /DMX/02                    | ✓ | ✓ | ✓ | ✓ | ✓ | ✓ | ✓ | ✓ | ✓ | ✓ | ✓ | ✓ | ✓ | 118 |
| 56298        | ProfiPlane LED 110 /DMX/02                  | ✓ | ✓ | ✓ | ✓ | ✓ | ✓ | ✓ | ✓ | ✓ | ✓ | ✓ | ✓ | ✓ | 126 |
| 56331        | ProfiLux LED 350 /01                        | ✓ | ✓ | ✓ | ✓ | ✓ | ✓ | ✓ | ✓ | ✓ | ✓ | ✓ | ✓ | ✓ | 132 |
| 50717        | ProfiLux LED 320 /DMX/02                    | ✓ | ✓ | ✓ | ✓ | ✓ | ✓ | ✓ | ✓ | ✓ | ✓ | ✓ | ✓ | ✓ | 120 |
| 50718        | ProfiRing LED 320 /DMX/02                   | ✓ | ✓ | ✓ | ✓ | ✓ | ✓ | ✓ | ✓ | ✓ | ✓ | ✓ | ✓ | ✓ | 130 |
| 50719        | ProfiPlane LED 320 /DMX/02                  | ✓ | ✓ | ✓ | ✓ | ✓ | ✓ | ✓ | ✓ | ✓ | ✓ | ✓ | ✓ | ✓ | 128 |
| 51296        | ProfiLux LED 1100 /01                       | ✓ | ✓ | ✓ | ✓ | ✓ | ✓ | ✓ | ✓ | ✓ | ✓ | ✓ | ✓ | ✓ | 134 |
| 56388        | ProfiLux LED Spot 1500 /DMX /02             | ✓ | ✓ | ✓ | ✓ | ✓ | ✓ | ✓ | ✓ | ✓ | ✓ | ✓ | ✓ | ✓ | 122 |
| 56391        | ProfiLux LED Flood 1500/DMX/02              | ✓ | ✓ | ✓ | ✓ | ✓ | ✓ | ✓ | ✓ | ✓ | ✓ | ✓ | ✓ | ✓ | 124 |
| 56401        | ProfiLux LED Spot 2200 /01                  | ✓ | ✓ | ✓ | ✓ | ✓ | ✓ | ✓ | ✓ | ✓ | ✓ | ✓ | ✓ | ✓ | 136 |
| 56402        | ProfiLux LED Flood 2200 /01                 | ✓ | ✓ | ✓ | ✓ | ✓ | ✓ | ✓ | ✓ | ✓ | ✓ | ✓ | ✓ | ✓ | 138 |
| 50367        | ProfiLux LED 370 12 V /01                   | ✓ | ✓ | ✓ | ✓ | ✓ | ✓ | ✓ | ✓ | ✓ | ✓ | ✓ | ✓ | ✓ | 140 |
| 50474        | ProfiLux LED 370 24 V /01                   | ✓ | ✓ | ✓ | ✓ | ✓ | ✓ | ✓ | ✓ | ✓ | ✓ | ✓ | ✓ | ✓ | 140 |
| 56133        | ProfiLux 101 E                              | ✓ | ✓ | ✓ | ✓ | ✓ | ✓ | ✓ | ✓ | ✓ | ✓ | ✓ | ✓ | ✓ | 144 |
| 52909        | UWS TS 111                                  | ✓ | ✓ | ✓ | ✓ | ✓ | ✓ | ✓ | ✓ | ✓ | ✓ | ✓ | ✓ | ✓ | 148 |
| 51446        | UWS TN 508                                  | ✓ | ✓ | ✓ | ✓ | ✓ | ✓ | ✓ | ✓ | ✓ | ✓ | ✓ | ✓ | ✓ | 146 |

| Power – Measure – Control – Regulate |                                       |   |   |   |   |   |   |   |   |   |   |   |   |   |     |
|--------------------------------------|---------------------------------------|---|---|---|---|---|---|---|---|---|---|---|---|---|-----|
| 53913                                | Anemometer K                          | ✓ | ✓ | ✓ | ✓ | ✓ | ✓ | ✓ | ✓ | ✓ | ✓ | ✓ | ✓ | ✓ | 188 |
| 51741                                | Cable transition 1/10 E               | ✓ | ✓ | ✓ | ✓ | ✓ | ✓ | ✓ | ✓ | ✓ | ✓ | ✓ | ✓ | ✓ | 154 |
| 51740                                | Cable transition 2/15 E               | ✓ | ✓ | ✓ | ✓ | ✓ | ✓ | ✓ | ✓ | ✓ | ✓ | ✓ | ✓ | ✓ | 154 |
| 57470                                | Cable transition 4/70 T               | ✓ | ✓ | ✓ | ✓ | ✓ | ✓ | ✓ | ✓ | ✓ | ✓ | ✓ | ✓ | ✓ | 154 |
| 57464                                | Cable transition 7/100 T              | ✓ | ✓ | ✓ | ✓ | ✓ | ✓ | ✓ | ✓ | ✓ | ✓ | ✓ | ✓ | ✓ | 154 |
| 57465                                | Cable transition 12/100 T             | ✓ | ✓ | ✓ | ✓ | ✓ | ✓ | ✓ | ✓ | ✓ | ✓ | ✓ | ✓ | ✓ | 154 |
| 57471                                | Concrete part 70 T                    | ✓ | ✓ | ✓ | ✓ | ✓ | ✓ | ✓ | ✓ | ✓ | ✓ | ✓ | ✓ | ✓ | 154 |
| 57467                                | Concrete part 100 T                   | ✓ | ✓ | ✓ | ✓ | ✓ | ✓ | ✓ | ✓ | ✓ | ✓ | ✓ | ✓ | ✓ | 154 |
| 12768                                | Connection cable 12 V AC / 1,0 m /01  | ✓ | ✓ | ✓ | ✓ | ✓ | ✓ | ✓ | ✓ | ✓ | ✓ | ✓ | ✓ | ✓ | 160 |
| 12374                                | Connection cable 12 V AC / 3,0 m /01  | ✓ | ✓ | ✓ | ✓ | ✓ | ✓ | ✓ | ✓ | ✓ | ✓ | ✓ | ✓ | ✓ | 160 |
| 12375                                | Connection cable 12 V AC / 7,5 m /01  | ✓ | ✓ | ✓ | ✓ | ✓ | ✓ | ✓ | ✓ | ✓ | ✓ | ✓ | ✓ | ✓ | 160 |
| 11740                                | Connection cable 12 V AC / 15,0 m /01 | ✓ | ✓ | ✓ | ✓ | ✓ | ✓ | ✓ | ✓ | ✓ | ✓ | ✓ | ✓ | ✓ | 160 |
| 12762                                | Connection cable 24 V DC / 1,0 m /01  | ✓ | ✓ | ✓ | ✓ | ✓ | ✓ | ✓ | ✓ | ✓ | ✓ | ✓ | ✓ | ✓ | 160 |
| 12552                                | Connection cable 24 V DC / 3,0 m /01  | ✓ | ✓ | ✓ | ✓ | ✓ | ✓ | ✓ | ✓ | ✓ | ✓ | ✓ | ✓ | ✓ | 160 |
| 12553                                | Connection cable 24 V DC / 7,5 m /01  | ✓ | ✓ | ✓ | ✓ | ✓ | ✓ | ✓ | ✓ | ✓ | ✓ | ✓ | ✓ | ✓ | 160 |
| 11720                                | Connection cable 24 V DC / 15,0 m /01 | ✓ | ✓ | ✓ | ✓ | ✓ | ✓ | ✓ | ✓ | ✓ | ✓ | ✓ | ✓ | ✓ | 160 |



| Order no. | Product name                           | Fresh Water | Pool Water | Sea Water | 220-240 V | 400 V | 110-120 V | 50 Hz | 60 Hz | 12 V AC | 24 V DC | DMX | DMX/RDM | Plug and Spray | Page |
|-----------|--|-------------|------------|-----------|-----------|-------|-----------|-------|-------|---------|---------|-----|---------|----------------|------|
| 12368     | Connection cable DMX / 1,0 m /01       | ✓           | ✓          | ✓         | ✓         | ✓     | ✓         | ✓     | ✓     | ✓       | ✓       | ✓   | ✓       | ✓              | 162  |
| 12369     | Connection cable DMX / 3,0 m /01       | ✓           | ✓          | ✓         | ✓         | ✓     | ✓         | ✓     | ✓     | ✓       | ✓       | ✓   | ✓       | ✓              | 162  |
| 12371     | Connection cable DMX / 5,0 m /01       | ✓           | ✓          | ✓         | ✓         | ✓     | ✓         | ✓     | ✓     | ✓       | ✓       | ✓   | ✓       | ✓              | 162  |
| 12372     | Connection cable DMX / 10,0 m /01      | ✓           | ✓          | ✓         | ✓         | ✓     | ✓         | ✓     | ✓     | ✓       | ✓       | ✓   | ✓       | ✓              | 162  |
| 12373     | Connection cable DMX / 20,0 m /01      | ✓           | ✓          | ✓         | ✓         | ✓     | ✓         | ✓     | ✓     | ✓       | ✓       | ✓   | ✓       | ✓              | 162  |
| 57646     | DMX-Box/01                             | ✓           | ✓          | ✓         | ✓         | ✓     | ✓         | ✓     | ✓     | ✓       | ✓       | ✓   | ✓       | ✓              | 162  |
| 51554     | Electronic water level control 1       | ✓           | ✓          | ✓         | ✓         | ✓     | ✓         | ✓     | ✓     | ✓       | ✓       | ✓   | ✓       | ✓              | 184  |
| 55846     | Electronic water level control 2       | ✓           | ✓          | ✓         | ✓         | ✓     | ✓         | ✓     | ✓     | ✓       | ✓       | ✓   | ✓       | ✓              | 184  |
| 12007     | End resistant for BUS-system DMX/01    | ✓           | ✓          | ✓         | ✓         | ✓     | ✓         | ✓     | ✓     | ✓       | ✓       | ✓   | ✓       | ✓              | 162  |
| 50728     | Extension cable hybrid / 3,0 m         | ✓           | ✓          | ✓         | ✓         | ✓     | ✓         | ✓     | ✓     | ✓       | ✓       | ✓   | ✓       | ✓              | 164  |
| 56403     | Extension cable hybrid / 7,5 m /01     | ✓           | ✓          | ✓         | ✓         | ✓     | ✓         | ✓     | ✓     | ✓       | ✓       | ✓   | ✓       | ✓              | 164  |
| 56404     | Hybrid Connection box                  | ✓           | ✓          | ✓         | ✓         | ✓     | ✓         | ✓     | ✓     | ✓       | ✓       | ✓   | ✓       | ✓              | 164  |
| 57486     | JunctionBox 8/M 20                     | ✓           | ✓          | ✓         | ✓         | ✓     | ✓         | ✓     | ✓     | ✓       | ✓       | ✓   | ✓       | ✓              | 156  |
| 50358     | JunctionBox 14/M 20                    | ✓           | ✓          | ✓         | ✓         | ✓     | ✓         | ✓     | ✓     | ✓       | ✓       | ✓   | ✓       | ✓              | 156  |
| 57473     | Liner clamping flange 70 T KD          | ✓           | ✓          | ✓         | ✓         | ✓     | ✓         | ✓     | ✓     | ✓       | ✓       | ✓   | ✓       | ✓              | 154  |
| 57474     | Liner clamping flange 100 T KD         | ✓           | ✓          | ✓         | ✓         | ✓     | ✓         | ✓     | ✓     | ✓       | ✓       | ✓   | ✓       | ✓              | 154  |
| 50492     | PowerBox 12 V AC /01                   | ✓           | ✓          | ✓         | ✓         | ✓     | ✓         | ✓     | ✓     | ✓       | ✓       | ✓   | ✓       | ✓              | 160  |
| 50493     | PowerBox 24 V DC /01                   | ✓           | ✓          | ✓         | ✓         | ✓     | ✓         | ✓     | ✓     | ✓       | ✓       | ✓   | ✓       | ✓              | 160  |
| 57648     | Power splice 20                        | ✓           | ✓          | ✓         | ✓         | ✓     | ✓         | ✓     | ✓     | ✓       | ✓       | ✓   | ✓       | ✓              | 158  |
| 57649     | Power splice 40                        | ✓           | ✓          | ✓         | ✓         | ✓     | ✓         | ✓     | ✓     | ✓       | ✓       | ✓   | ✓       | ✓              | 159  |
| 51556     | Solenoid valve ½" 24 V                 | ✓           | ✓          | ✓         | ✓         | ✓     | ✓         | ✓     | ✓     | ✓       | ✓       | ✓   | ✓       | ✓              | 184  |
| 51557     | Solenoid valve 1" 24 V                 | ✓           | ✓          | ✓         | ✓         | ✓     | ✓         | ✓     | ✓     | ✓       | ✓       | ✓   | ✓       | ✓              | 184  |
| 55843     | Supplemental electrode 2000-1          | ✓           | ✓          | ✓         | ✓         | ✓     | ✓         | ✓     | ✓     | ✓       | ✓       | ✓   | ✓       | ✓              | 186  |
| 51341     | Switchgear EL 100 W                    | ✓           | ✓          | ✓         | ✓         | ✓     | ✓         | ✓     | ✓     | ✓       | ✓       | ✓   | ✓       | ✓              | 172  |
| 51342     | Switchgear EL 101 W                    | ✓           | ✓          | ✓         | ✓         | ✓     | ✓         | ✓     | ✓     | ✓       | ✓       | ✓   | ✓       | ✓              | 172  |
| 51343     | Switchgear EL 110 W                    | ✓           | ✓          | ✓         | ✓         | ✓     | ✓         | ✓     | ✓     | ✓       | ✓       | ✓   | ✓       | ✓              | 172  |
| 51344     | Switchgear EL 111 W                    | ✓           | ✓          | ✓         | ✓         | ✓     | ✓         | ✓     | ✓     | ✓       | ✓       | ✓   | ✓       | ✓              | 172  |
| 51334     | Underwater cable connector T 3         | ✓           | ✓          | ✓         | ✓         | ✓     | ✓         | ✓     | ✓     | ✓       | ✓       | ✓   | ✓       | ✓              | 156  |
| 50720     | Underwater LED Driver / DMX / 02       | ✓           | ✓          | ✓         | ✓         | ✓     | ✓         | ✓     | ✓     | ✓       | ✓       | ✓   | ✓       | ✓              | 166  |
| 40289     | Underwater power supply 250 / 24 V /01 | ✓           | ✓          | ✓         | ✓         | ✓     | ✓         | ✓     | ✓     | ✓       | ✓       | ✓   | ✓       | ✓              | 170  |
| 50733     | Underwater power supply 250 / 24 V /01 | ✓           | ✓          | ✓         | ✓         | ✓     | ✓         | ✓     | ✓     | ✓       | ✓       | ✓   | ✓       | ✓              | 170  |
| 56411     | Underwater Switch 24V / DMX / 02       | ✓           | ✓          | ✓         | ✓         | ✓     | ✓         | ✓     | ✓     | ✓       | ✓       | ✓   | ✓       | ✓              | 168  |
| 50401     | Underwater transformer UST 150 /01     | ✓           | ✓          | ✓         | ✓         | ✓     | ✓         | ✓     | ✓     | ✓       | ✓       | ✓   | ✓       | ✓              | 190  |
| 50517     | Underwater transformer UST 150 /A/01   | ✓           | ✓          | ✓         | ✓         | ✓     | ✓         | ✓     | ✓     | ✓       | ✓       | ✓   | ✓       | ✓              | 190  |
| 55845     | Water level sensor 2000-3/5            | ✓           | ✓          | ✓         | ✓         | ✓     | ✓         | ✓     | ✓     | ✓       | ✓       | ✓   | ✓       | ✓              | 186  |
| 51559     | Water level sensor 20-3                | ✓           | ✓          | ✓         | ✓         | ✓     | ✓         | ✓     | ✓     | ✓       | ✓       | ✓   | ✓       | ✓              | 186  |
| 53918     | Water level sensor 20-4                | ✓           | ✓          | ✓         | ✓         | ✓     | ✓         | ✓     | ✓     | ✓       | ✓       | ✓   | ✓       | ✓              | 186  |
| 56491     | WECS II 512 /DMX/02                    | ✓           | ✓          | ✓         | ✓         | ✓     | ✓         | ✓     | ✓     | ✓       | ✓       | ✓   | ✓       | ✓              | 174  |
| 56492     | WECS II 1024 /DMX/02                   | ✓           | ✓          | ✓         | ✓         | ✓     | ✓         | ✓     | ✓     | ✓       | ✓       | ✓   | ✓       | ✓              | 174  |
| 56507     | WECS II 2048 /DMX/02                   | ✓           | ✓          | ✓         | ✓         | ✓     | ✓         | ✓     | ✓     | ✓       | ✓       | ✓   | ✓       | ✓              | 180  |
| 51838     | Wind-dependent fountain control 3 K    | ✓           | ✓          | ✓         | ✓         | ✓     | ✓         | ✓     | ✓     | ✓       | ✓       | ✓   | ✓       | ✓              | 188  |

| Water Quality |  |   |   |   |   |   |   |   |   |   |   |   |   |   |     |
|---------------|--|---|---|---|---|---|---|---|---|---|---|---|---|---|-----|
| 50433         | AFM filter medium                        | ✓ | ✓ | ✓ | ✓ | ✓ | ✓ | ✓ | ✓ | ✓ | ✓ | ✓ | ✓ | ✓ | 216 |
| 50183         | AirFlo 1,5 kW / 230 V                    | ✓ | ✓ | ✓ | ✓ | ✓ | ✓ | ✓ | ✓ | ✓ | ✓ | ✓ | ✓ | ✓ | 198 |
| 50185         | AirFlo 4,0 kW / 400 V                    | ✓ | ✓ | ✓ | ✓ | ✓ | ✓ | ✓ | ✓ | ✓ | ✓ | ✓ | ✓ | ✓ | 198 |
| 50549         | AquaActiv AlGo Direct 5 l                | ✓ | ✓ | ✓ | ✓ | ✓ | ✓ | ✓ | ✓ | ✓ | ✓ | ✓ | ✓ | ✓ | 226 |
| 50545         | AquaActiv AlGo Universal 5 l             | ✓ | ✓ | ✓ | ✓ | ✓ | ✓ | ✓ | ✓ | ✓ | ✓ | ✓ | ✓ | ✓ | 226 |
| 50939         | AquaActiv BioKick CWS 2 l                | ✓ | ✓ | ✓ | ✓ | ✓ | ✓ | ✓ | ✓ | ✓ | ✓ | ✓ | ✓ | ✓ | 226 |
| 50558         | AquaActiv OptiPond 5 l                   | ✓ | ✓ | ✓ | ✓ | ✓ | ✓ | ✓ | ✓ | ✓ | ✓ | ✓ | ✓ | ✓ | 226 |
| 57477         | AquaActiv PhosLess Refill pack           | ✓ | ✓ | ✓ | ✓ | ✓ | ✓ | ✓ | ✓ | ✓ | ✓ | ✓ | ✓ | ✓ | 226 |
| 50555         | AquaActiv PondClear 5 l                  | ✓ | ✓ | ✓ | ✓ | ✓ | ✓ | ✓ | ✓ | ✓ | ✓ | ✓ | ✓ | ✓ | 226 |
| 50561         | AquaActiv SediFree 5 l                   | ✓ | ✓ | ✓ | ✓ | ✓ | ✓ | ✓ | ✓ | ✓ | ✓ | ✓ | ✓ | ✓ | 226 |
| 50571         | AquaActiv Wasseranalyse Profi-Set        | ✓ | ✓ | ✓ | ✓ | ✓ | ✓ | ✓ | ✓ | ✓ | ✓ | ✓ | ✓ | ✓ | 226 |
| 57479         | AquaAir 250                              | ✓ | ✓ | ✓ | ✓ | ✓ | ✓ | ✓ | ✓ | ✓ | ✓ | ✓ | ✓ | ✓ | 196 |
| 57487         | AquaAir 250 / A                          | ✓ | ✓ | ✓ | ✓ | ✓ | ✓ | ✓ | ✓ | ✓ | ✓ | ✓ | ✓ | ✓ | 196 |
| 55351         | Backwash Automatic Eurotronik            | ✓ | ✓ | ✓ | ✓ | ✓ | ✓ | ✓ | ✓ | ✓ | ✓ | ✓ | ✓ | ✓ | 216 |
| 57696         | BioTec ScreenMatic <sup>2</sup> 140000   | ✓ | ✓ | ✓ | ✓ | ✓ | ✓ | ✓ | ✓ | ✓ | ✓ | ✓ | ✓ | ✓ | 204 |
| 56902         | Bitron C 110 W                           | ✓ | ✓ | ✓ | ✓ | ✓ | ✓ | ✓ | ✓ | ✓ | ✓ | ✓ | ✓ | ✓ | 202 |
| 56769         | Bitron Eco 120 W                         | ✓ | ✓ | ✓ | ✓ | ✓ | ✓ | ✓ | ✓ | ✓ | ✓ | ✓ | ✓ | ✓ | 200 |
| 56405         | Bitron Eco 180 W                         | ✓ | ✓ | ✓ | ✓ | ✓ | ✓ | ✓ | ✓ | ✓ | ✓ | ✓ | ✓ | ✓ | 200 |
| 56410         | Bitron Eco 240 W                         | ✓ | ✓ | ✓ | ✓ | ✓ | ✓ | ✓ | ✓ | ✓ | ✓ | ✓ | ✓ | ✓ | 200 |
| 50946         | Bitron Gravity 55 W                      | ✓ | ✓ | ✓ | ✓ | ✓ | ✓ | ✓ | ✓ | ✓ | ✓ | ✓ | ✓ | ✓ | 202 |
| 51036         | Buffer solution calibration set          | ✓ | ✓ | ✓ | ✓ | ✓ | ✓ | ✓ | ✓ | ✓ | ✓ | ✓ | ✓ | ✓ | 220 |
| 50434         | Clear Fountain System                    | ✓ | ✓ | ✓ | ✓ | ✓ | ✓ | ✓ | ✓ | ✓ | ✓ | ✓ | ✓ | ✓ | 220 |
| 58960         | Clear Lake System 250/500                | ✓ | ✓ | ✓ | ✓ | ✓ | ✓ | ✓ | ✓ | ✓ | ✓ | ✓ | ✓ | ✓ | 222 |
| 58960         | Clear Lake System 5000/20000             | ✓ | ✓ | ✓ | ✓ | ✓ | ✓ | ✓ | ✓ | ✓ | ✓ | ✓ | ✓ | ✓ | 222 |
| 53428         | Crystal quartz sand                      | ✓ | ✓ | ✓ | ✓ | ✓ | ✓ | ✓ | ✓ | ✓ | ✓ | ✓ | ✓ | ✓ | 216 |
| 51062         | OxyPool                                  | ✓ | ✓ | ✓ | ✓ | ✓ | ✓ | ✓ | ✓ | ✓ | ✓ | ✓ | ✓ | ✓ | 220 |
| 53091         | PH value reducer pHW 30                  | ✓ | ✓ | ✓ | ✓ | ✓ | ✓ | ✓ | ✓ | ✓ | ✓ | ✓ | ✓ | ✓ | 220 |
| 51064         | ProfiClear Classic coarse debris extrac. | ✓ | ✓ | ✓ | ✓ | ✓ | ✓ | ✓ | ✓ | ✓ | ✓ | ✓ | ✓ | ✓ | 208 |
| 51065         | ProfiClear Classic filter foam module    | ✓ | ✓ | ✓ | ✓ | ✓ | ✓ | ✓ | ✓ | ✓ | ✓ | ✓ | ✓ | ✓ | 208 |
| 51066         | ProfiClear Classic phosphate binder mod. | ✓ | ✓ | ✓ | ✓ | ✓ | ✓ | ✓ | ✓ | ✓ | ✓ | ✓ | ✓ | ✓ | 208 |
| 51061         | ProfiClear Classic pump chamber          | ✓ | ✓ | ✓ | ✓ | ✓ | ✓ | ✓ | ✓ | ✓ | ✓ | ✓ | ✓ | ✓ | 208 |
| 56774         | ProfiClear Premium drum filter gravity   | ✓ | ✓ | ✓ | ✓ | ✓ | ✓ | ✓ | ✓ | ✓ | ✓ | ✓ | ✓ | ✓ | 210 |
| 50773         | ProfiClear Premium drum filter pump-fed  | ✓ | ✓ | ✓ | ✓ | ✓ | ✓ | ✓ | ✓ | ✓ | ✓ | ✓ | ✓ | ✓ | 210 |
| 50771         | ProfiClear Premium Individual Module     | ✓ | ✓ | ✓ | ✓ | ✓ | ✓ | ✓ | ✓ | ✓ | ✓ | ✓ | ✓ | ✓ | 210 |

| Order no. | Product name                              | Fresh Water | Pool Water | Sea Water | 220-240 V | 400 V | 110-120 V | 50 Hz | 60 Hz | 12 V AC | 24 V DC | DMX | DMX/RDM | Plug and Spray | Page |
|-----------|---|-------------|------------|-----------|-----------|-------|-----------|-------|-------|---------|---------|-----|---------|----------------|------|
| 50772     | ProfiClear Premium Moving Bed Module      | ✓           | ✓          | ✓         | ✓         | ✓     | ✓         | ✓     | ✓     | ✓       | ✓       | ✓   | ✓       | ✓              | 210  |
| 50947     | ProfiClear Premium replacem. sieve 150 µ  | ✓           | ✓          | ✓         | ✓         | ✓     | ✓         | ✓     | ✓     | ✓       | ✓       | ✓   | ✓       | ✓              | 210  |
| 42913     | ProfiClear pump chamber Compact / Classic | ✓           | ✓          | ✓         | ✓         | ✓     | ✓         | ✓     | ✓     | ✓       | ✓       | ✓   | ✓       | ✓              | 208  |
| 57134     | ProfiSkim 100                             | ✓           | ✓          | ✓         | ✓         | ✓     | ✓         | ✓     | ✓     | ✓       | ✓       | ✓   | ✓       | ✓              | 224  |
| 51185     | ProfiSkim Premium                         | ✓           | ✓          | ✓         | ✓         | ✓     | ✓         | ✓     | ✓     | ✓       | ✓       | ✓   | ✓       | ✓              | 224  |
| 56636     | Replacement bulb UVC 55 W                 | ✓           | ✓          | ✓         | ✓         | ✓     | ✓         | ✓     | ✓     | ✓       | ✓       | ✓   | ✓       | ✓              | 203  |
| 42894     | Repl. set foam red/purple BioTec 60/140   | ✓           | ✓          | ✓         | ✓         | ✓     | ✓         | ✓     | ✓     | ✓       | ✓       | ✓   | ✓       | ✓              | 205  |
| 42896     | Repl. set foam blue BioTec 60/140         | ✓           | ✓          | ✓         | ✓         | ✓     | ✓         | ✓     | ✓     | ✓       | ✓       | ✓   | ✓       | ✓              | 205  |
| 50431     | Sand filter D 600                         | ✓           | ✓          | ✓         | ✓         | ✓     | ✓         | ✓     | ✓     | ✓       | ✓       | ✓   | ✓       | ✓              | 216  |
| 50432     | Sand filter D 800                         | ✓           | ✓          | ✓         | ✓         | ✓     | ✓         | ✓     | ✓     | ✓       | ✓       | ✓   | ✓       | ✓              | 216  |
| 57480     | Skimmer 250                               | ✓           | ✓          | ✓         | ✓         | ✓     | ✓         | ✓     | ✓     | ✓       | ✓       | ✓   | ✓       | ✓              | 225  |
| 57488     | Skimmer 250/A                             | ✓           | ✓          | ✓         | ✓         | ✓     | ✓         | ✓     | ✓     | ✓       | ✓       | ✓   | ✓       | ✓              | 225  |
| 51034     | Sonde Ph                                  | ✓           | ✓          | ✓         | ✓         | ✓     | ✓         | ✓     | ✓     | ✓       | ✓       | ✓   | ✓       | ✓              | 220  |
| 51035     | Sonde Redox                               | ✓           | ✓          | ✓         | ✓         | ✓     | ✓         | ✓     | ✓     | ✓       | ✓       | ✓   | ✓       | ✓              | 220  |
| 52981     | Spiral hose green 1½", 25 m               | ✓           | ✓          | ✓         | ✓         | ✓     | ✓         | ✓     | ✓     | ✓       | ✓       | ✓   | ✓       | ✓              | 205  |
| 36500     | Spiral hose green 2", 20 m                | ✓           | ✓          | ✓         | ✓         | ✓     | ✓         | ✓     | ✓     | ✓       | ✓       | ✓   | ✓       | ✓              | 205  |
| 50272     | StrataFlo 2 2HP                           | ✓           | ✓          | ✓         | ✓         | ✓     | ✓         | ✓     | ✓     | ✓       | ✓       | ✓   | ✓       | ✓              | 198  |
| 50274     | StrataFlo 2 5HP / 3-Phase                 | ✓           | ✓          | ✓         | ✓         | ✓     | ✓         | ✓     | ✓     | ✓       | ✓       | ✓   | ✓       | ✓              | 198  |
| 54921     | Wall Skimmer                              | ✓           | ✓          | ✓         | ✓         | ✓     | ✓         | ✓     | ✓     | ✓       | ✓       | ✓   | ✓       | ✓              | 218  |

| Accessories |  |   |   |   |   |   |   |   |   |   |   |   |   |   |     |
|-------------|--|---|---|---|---|---|---|---|---|---|---|---|---|---|-----|
| 51026       | Adapter G 10 / NPT 10                    | ✓ | ✓ | ✓ | ✓ | ✓ | ✓ | ✓ | ✓ | ✓ | ✓ | ✓ | ✓ | ✓ | 244 |
| 51027       | Adapter G 15 / NPT 15                    | ✓ | ✓ | ✓ | ✓ | ✓ | ✓ | ✓ | ✓ | ✓ | ✓ | ✓ | ✓ | ✓ | 244 |
| 51028       | Adapter G 20 / NPT 20                    | ✓ | ✓ | ✓ | ✓ | ✓ | ✓ | ✓ | ✓ | ✓ | ✓ | ✓ | ✓ | ✓ | 244 |
| 51029       | Adapter G 30 / NPT 30                    | ✓ | ✓ | ✓ | ✓ | ✓ | ✓ | ✓ | ✓ | ✓ | ✓ | ✓ | ✓ | ✓ | 244 |
| 51165       | Ball Joint 10                            | ✓ | ✓ | ✓ | ✓ | ✓ | ✓ | ✓ | ✓ | ✓ | ✓ | ✓ | ✓ | ✓ | 245 |
| 51973       | Debris sieve 70 E                        | ✓ | ✓ | ✓ | ✓ | ✓ | ✓ | ✓ | ✓ | ✓ | ✓ | ✓ | ✓ | ✓ | 232 |
| 51974       | Debris sieve 100 E                       | ✓ | ✓ | ✓ | ✓ | ✓ | ✓ | ✓ | ✓ | ✓ | ✓ | ✓ | ✓ | ✓ | 232 |
| 51141       | Floor/wall transition 10-175 E           | ✓ | ✓ | ✓ | ✓ | ✓ | ✓ | ✓ | ✓ | ✓ | ✓ | ✓ | ✓ | ✓ | 238 |
| 51142       | Floor/wall transition 15-175 E           | ✓ | ✓ | ✓ | ✓ | ✓ | ✓ | ✓ | ✓ | ✓ | ✓ | ✓ | ✓ | ✓ | 238 |
| 51143       | Floor/wall transition 20-175 E           | ✓ | ✓ | ✓ | ✓ | ✓ | ✓ | ✓ | ✓ | ✓ | ✓ | ✓ | ✓ | ✓ | 238 |
| 52790       | Floor/wall transition 40-175 E           | ✓ | ✓ | ✓ | ✓ | ✓ | ✓ | ✓ | ✓ | ✓ | ✓ | ✓ | ✓ | ✓ | 238 |
| 51145       | Floor/wall transition F 10-175 E         | ✓ | ✓ | ✓ | ✓ | ✓ | ✓ | ✓ | ✓ | ✓ | ✓ | ✓ | ✓ | ✓ | 238 |
| 51146       | Floor/wall transition F 15-175 E         | ✓ | ✓ | ✓ | ✓ | ✓ | ✓ | ✓ | ✓ | ✓ | ✓ | ✓ | ✓ | ✓ | 238 |
| 51147       | Floor/wall transition F 20-175 E         | ✓ | ✓ | ✓ | ✓ | ✓ | ✓ | ✓ | ✓ | ✓ | ✓ | ✓ | ✓ | ✓ | 238 |
| 53013       | Floor/wall transition F 40-175 E         | ✓ | ✓ | ✓ | ✓ | ✓ | ✓ | ✓ | ✓ | ✓ | ✓ | ✓ | ✓ | ✓ | 238 |
| 51033       | Flow Valve 10                            | ✓ | ✓ | ✓ | ✓ | ✓ | ✓ | ✓ | ✓ | ✓ | ✓ | ✓ | ✓ | ✓ | 245 |
| 51022       | Hexagon nippel 10 silver                 | ✓ | ✓ | ✓ | ✓ | ✓ | ✓ | ✓ | ✓ | ✓ | ✓ | ✓ | ✓ | ✓ | 244 |
| 51023       | Hexagon nippel 15 silver                 | ✓ | ✓ | ✓ | ✓ | ✓ | ✓ | ✓ | ✓ | ✓ | ✓ | ✓ | ✓ | ✓ | 244 |
| 51024       | Hexagon nippel 20 silver                 | ✓ | ✓ | ✓ | ✓ | ✓ | ✓ | ✓ | ✓ | ✓ | ✓ | ✓ | ✓ | ✓ | 244 |
| 51025       | Hexagon nippel 30 silver                 | ✓ | ✓ | ✓ | ✓ | ✓ | ✓ | ✓ | ✓ | ✓ | ✓ | ✓ | ✓ | ✓ | 244 |
| 53086       | Inflow nozzle 15 E                       | ✓ | ✓ | ✓ | ✓ | ✓ | ✓ | ✓ | ✓ | ✓ | ✓ | ✓ | ✓ | ✓ | 238 |
| 51058       | Installation kit JumpingJet Rainbow Star | ✓ | ✓ | ✓ | ✓ | ✓ | ✓ | ✓ | ✓ | ✓ | ✓ | ✓ | ✓ | ✓ | 245 |
| 51108       | Liner clamping flange 70 T               | ✓ | ✓ | ✓ | ✓ | ✓ | ✓ | ✓ | ✓ | ✓ | ✓ | ✓ | ✓ | ✓ | 232 |
| 51117       | Liner clamping flange 100 T              | ✓ | ✓ | ✓ | ✓ | ✓ | ✓ | ✓ | ✓ | ✓ | ✓ | ✓ | ✓ | ✓ | 232 |
| 50477       | NozzleChamber Single                     | ✓ | ✓ | ✓ | ✓ | ✓ | ✓ | ✓ | ✓ | ✓ | ✓ | ✓ | ✓ | ✓ | 230 |
| 50478       | NozzleChamber Vario                      | ✓ | ✓ | ✓ | ✓ | ✓ | ✓ | ✓ | ✓ | ✓ | ✓ | ✓ | ✓ | ✓ | 230 |
| 51120       | Overfl. wall-inst. comb. armature 100 E  | ✓ | ✓ | ✓ | ✓ | ✓ | ✓ | ✓ | ✓ | ✓ | ✓ | ✓ | ✓ | ✓ | 241 |
| 57469       | Overflow/drain armature 70/1000 T        | ✓ | ✓ | ✓ | ✓ | ✓ | ✓ | ✓ | ✓ | ✓ | ✓ | ✓ | ✓ | ✓ | 234 |
| 57463       | Overflow/drain armature 100/1000 T       | ✓ | ✓ | ✓ | ✓ | ✓ | ✓ | ✓ | ✓ | ✓ | ✓ | ✓ | ✓ | ✓ | 234 |
| 52602       | Overflow/return Box 100 E                | ✓ | ✓ | ✓ | ✓ | ✓ | ✓ | ✓ | ✓ | ✓ | ✓ | ✓ | ✓ | ✓ | 240 |
| 57468       | Plug 70 T                                | ✓ | ✓ | ✓ | ✓ | ✓ | ✓ | ✓ | ✓ | ✓ | ✓ | ✓ | ✓ | ✓ | 232 |
| 57462       | Plug 100 T                               | ✓ | ✓ | ✓ | ✓ | ✓ | ✓ | ✓ | ✓ | ✓ | ✓ | ✓ | ✓ | ✓ | 232 |
| 51032       | Reducing sleeve 15 x 10                  | ✓ | ✓ | ✓ | ✓ | ✓ | ✓ | ✓ | ✓ | ✓ | ✓ | ✓ | ✓ | ✓ | 245 |
| 51030       | Reducing sleeve 20 x 15                  | ✓ | ✓ | ✓ | ✓ | ✓ | ✓ | ✓ | ✓ | ✓ | ✓ | ✓ | ✓ | ✓ | 245 |
| 51123       | Return armature 200/100 T                | ✓ | ✓ | ✓ | ✓ | ✓ | ✓ | ✓ | ✓ | ✓ | ✓ | ✓ | ✓ | ✓ | 236 |
| 51018       | Sleeve 10 silver                         | ✓ | ✓ | ✓ | ✓ | ✓ | ✓ | ✓ | ✓ | ✓ | ✓ | ✓ | ✓ | ✓ | 244 |
| 51019       | Sleeve 15 silver                         | ✓ | ✓ | ✓ | ✓ | ✓ | ✓ | ✓ | ✓ | ✓ | ✓ | ✓ | ✓ | ✓ | 244 |
| 51020       | Sleeve 20 silver                         | ✓ | ✓ | ✓ | ✓ | ✓ | ✓ | ✓ | ✓ | ✓ | ✓ | ✓ | ✓ | ✓ | 244 |
| 51021       | Sleeve 30 silver                         | ✓ | ✓ | ✓ | ✓ | ✓ | ✓ | ✓ | ✓ | ✓ | ✓ | ✓ | ✓ | ✓ | 244 |
| 57466       | Standpipe 100/500 T                      | ✓ | ✓ | ✓ | ✓ | ✓ | ✓ | ✓ | ✓ | ✓ | ✓ | ✓ | ✓ | ✓ | 236 |
| 51082       | Suction filter basket 200/100/15 E       | ✓ | ✓ | ✓ | ✓ | ✓ | ✓ | ✓ | ✓ | ✓ | ✓ | ✓ | ✓ | ✓ | 242 |
| 51083       | Suction filter basket 200/166/20 E       | ✓ | ✓ | ✓ | ✓ | ✓ | ✓ | ✓ | ✓ | ✓ | ✓ | ✓ | ✓ | ✓ | 242 |
| 51084       | Suction filter basket 200/250/25 E       | ✓ | ✓ | ✓ | ✓ | ✓ | ✓ | ✓ | ✓ | ✓ | ✓ | ✓ | ✓ | ✓ | 242 |
| 51753       | Suction filter basket 350/185/80/100E    | ✓ | ✓ | ✓ | ✓ | ✓ | ✓ | ✓ | ✓ | ✓ | ✓ | ✓ | ✓ | ✓ | 242 |
| 54755       | Suction filter basket 350/350/125 E      | ✓ | ✓ | ✓ | ✓ | ✓ | ✓ | ✓ | ✓ | ✓ | ✓ | ✓ | ✓ | ✓ | 242 |
| 51756       | Suction filter basket 600/280/150/200E   | ✓ | ✓ | ✓ | ✓ | ✓ | ✓ | ✓ | ✓ | ✓ | ✓ | ✓ | ✓ | ✓ | 242 |
| 51015       | Swivel connection 10 silver              | ✓ | ✓ | ✓ | ✓ | ✓ | ✓ | ✓ | ✓ | ✓ | ✓ | ✓ | ✓ | ✓ | 244 |
| 51016       | Swivel connection 15 silver              | ✓ | ✓ | ✓ | ✓ | ✓ | ✓ | ✓ | ✓ | ✓ | ✓ | ✓ | ✓ | ✓ | 244 |
| 51017       | Swivel connection 20 silver              | ✓ | ✓ | ✓ | ✓ | ✓ | ✓ | ✓ | ✓ | ✓ | ✓ | ✓ | ✓ | ✓ | 244 |

**OASE GmbH**

Tecklenburger Str. 161  
48469 Hörstel  
Germany  
☎ +49 5454 80-0  
☎ +49 5454 80-9253  
✉ info@oase-livingwater.com

**OASE S.A.**

Avenue de la Marne  
Parc du Molinel  
Bât F – Rez de Chaussée  
59290 WASQUEHAL  
France  
☎ +33 3 20 82 00 45  
☎ +33 3 20 82 99 32  
✉ info.fr@oase-livingwater.com

**OASE Türkiye**

Barbaros Mh.Ihlamur (Hasat sk) No:3  
Uphill Towers B Blok D:55  
34746 Atasehir / Istanbul  
☎ +90 216 688 14 60  
☎ +90 216 688 14 57  
✉ info.tr@oase-livingwater.com

**OASE North America, Inc.**

721 N Poplar St  
Orange  
CA 92868  
USA  
☎ +1 800 365 3880  
☎ +1 800 262 7339  
✉ info.na@oase-livingwater.com

**OASE (UK) LTD.**

The Old Cart Shed  
Apsley Barns  
Andover  
Hampshire SP11 6NA  
United Kingdom  
☎ +44 1256 8968 86  
☎ +44 1256 8964 89  
✉ enquiries@oase-livingwater.com

**OASE ESPAÑA Casa y Jardín S.L.U.**

C/Polea 1  
28522 Rivas Vaciamadrid  
Madrid  
Spain  
☎ +34 91 499 07 29  
☎ +34 91 666 56 87  
✉ info.es@oase-livingwater.com

**OASE Asia Pacific PTE Ltd.**

7030 Ang Mo Kio Ave 5  
#08-69  
Northstar@Ang Mo Kio  
Singapore 569880  
☎ +65 6337 2838  
☎ +65 6337 6878  
✉ info@oase-livingwater.com.sg

**OASE Italia Srl  
(former Eden Srl)**

Via delle Industrie, 16  
36050 Cartigliano (VI)  
Italy  
☎ +39 042 45 90 866  
☎ +39 042 48 27 342  
✉ info@edensrl.com

**OASE B.V.**

Dooren 107  
1785 Merchtlem  
België/Belgique  
☎ +31 900 246 22 10  
☎ +31 800 023 01 86  
✉ info.nl@oase-livingwater.com (NL)

**OASE Kereskedelmi Kft**

Buda Center  
Budapest I  
Hegyalja út 7-13  
1016 Budapest  
Hungary  
☎ +36 1 393 50 40  
☎ +36 1 393 50 41  
✉ info.hu@oase-livingwater.com

**OASE Middle East FZE**

Dubai Airport Freezone  
East Wing Building 1E Unit 202  
P.O. Box 54966  
Dubai, U.A.E  
☎ +971 4 2994847  
✉ uae@oase-livingwater.com

**OASE B.V.B.A.**

Dooren 107  
1785 Merchtlem  
België/Belgique  
☎ +32 52 48 47 60  
☎ +32 52 48 47 61  
✉ info.be@oase-livingwater.com (B)

**OASE Spółka z o.o.**

Al. Jerozolimskie 200 lok. 538  
02-486 Warsaw  
Poland  
☎ +48 2 23 23 71 13  
☎ +48 2 23 23 71 15  
✉ info.pl@oase-livingwater.com

**OASE China**

No. 80 North Dongting Road  
Taicang, Jiangsu  
China  
☎ +86 512 5371 9709  
☎ +86 512 5371 9555  
✉ weibo@oase-livingwater.cn

[www.oase-livingwater.com](http://www.oase-livingwater.com)