



	Fresh Water	Pool Water	Sea Water	220-240 V	400 V	110-120 V	50 Hz	60 Hz	12 V AC	24 V DC	DMX	DMX/RDM	Plug and Spray
Underwater power supply	✓	✓	✓	✓	✓	✓	✓	✓	✓	✓	✓	✓	✓
Transformer UST 150/01	✓	✓	✓	✓	✓	✓	✓	✓	✓	✓	✓	✓	✓
Transformer UST 150/A/01	✓	✓	✓	✓	✓	✓	✓	✓	✓	✓	✓	✓	✓

UNDERWATER POWER SUPPLY 250 24V/01 AND UNDERWATER TRANSFORMER UST 150/01, 150/A/01

The Underwater Power Supply and the underwater transformer have the protection class IP 68 and are equipped with 4 slots.

Through this special connection technology, wiring by hand is no longer necessary.

Product characteristics at a glance

- 24V DC Power Supply for underwater
- Fixing by 4 screw possible
- 4 x female 24 V DC OASE connector
- IP 68 rated

Product characteristics at a glance

- 12V AC Power Supply for underwater
- Fixing by 4 screw possible
- 4 x female 12 V AC OASE connector
- IP 68 rated

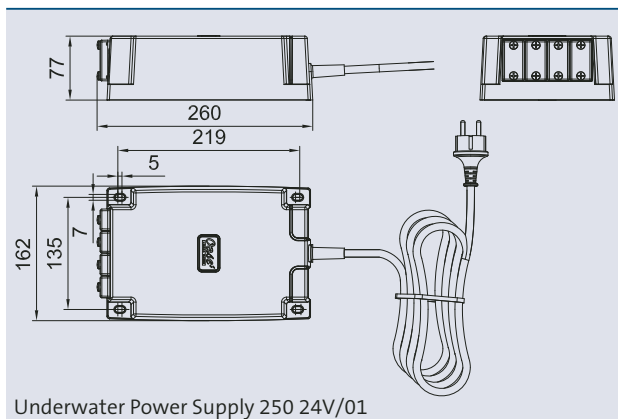
INNOVATION – MADE BY OASE



Underwater Power Supply 250 24V/01



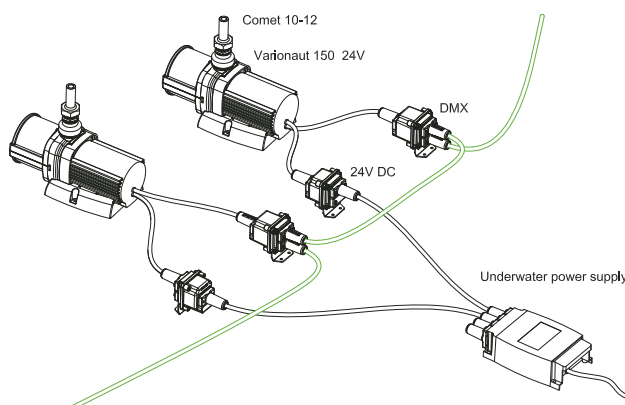
Underwater transformer UST 150/01 and 150/A/01



Underwater Power Supply 250 24V/01

One Underwater Power Supply 250 24V/01 can be connected with max. 2 x Varionaut 150/24V or max. 4 x Varionaut 90/24V or max. 4 x Underwater LED Control with 4 x ProfiPlane LED 320/DMX/02, ProfiRing LED 320/DMX/02 or ProfiLux LED 320/DMX/02 (=max. 16).

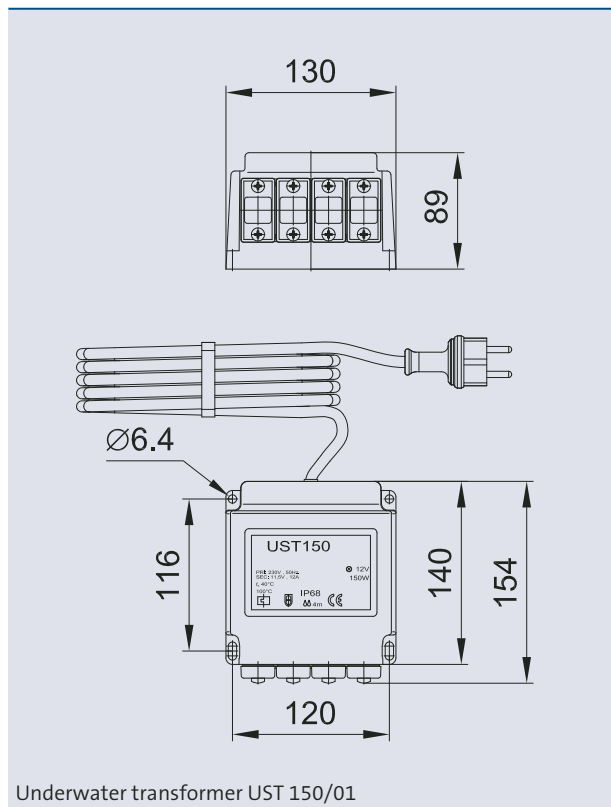
This Underwater Power Supply is also for the LED Modul II 960 (see on page 21), the MDD II and ProfiLux 370 LED (see on page 124).



Additional informations are available on the internet www.oase-livingwater.com

Underwater Power Supply 250 24V/01		
Dimensions(L x W x H)	[mm]	260 x 162 x 77
Nominal input voltage	[V/AC]	100-240
Nominal input frequency	[Hz]	50/60
Secondary voltage	[V/DC]	24
Secondary current	[A]	10,5
Efficiency	[%]	≥90
Stand by power consumption	[W]	≤1
Environmental conditions: submersible application		Water temperature: min 4°C to max. 35°C
Environmental conditions: dry application		Ambient temperature: max 30°C with natural convection, no direct sun exposure permitted
Slot S	[V/DC]	4 x 24
Immersion depth max.	[m]	4
Protection class		IP 68
Cable length	[m]	10
Weight	[kg]	5,5
Order no.		50733

Please follow the international and local norm



Underwater transformer UST 150/01



Underwater transformer	UST 150/01		150/A/01	
<ul style="list-style-type: none"> • 4 couplings • Connection of 4 x 35 Watt, 3 x 50 Watt or 2 x 75 Watt halogen spotlights • Connection of 4 x 10 Watt LunAqua 10 LED • Connection of 8 x ProfiLux LED 12V/01 with 4 power boxes 				
Dimensions (L x W x H)	[mm]	154x130x89	[inch]	6x5.1x3.5
Primary voltage	[V/Hz]	230/50	[V/Hz]	120/60
Secondary voltage	[V]	12	[V]	12
Consumption	[VA]	150	[VA]	150
Cable length	[m]	10	[ft]	20
Weight	[kg]	4.5	[lbs]	9.9
Order no.		50401		50517

Example drawings on page 103

Please follow the international and local norm