



	Fresh Water	Pool Water	Sea Water	220-240 V	400 V	110-120 V	50 Hz	60 Hz	12 V AC	24 V DC	DMX	DMX/RDM	Plug and Spray
ProfiLux LED 1100	✓	✓	✓	✓	✓	✓	✓	✓	✓	✓	✓	✓	✓

PROFILUX LED 1100/01

The ProfiLux LED 1100/01, with 918 lumen and a beam angle of 11° is the new, compact and powerful light.

The compact neutral white LED-light (Ø x h) 125 x 32 [mm] has a high quality stainless steel housing and is suitable for fresh water, pool water and sea water application (for definition see page 246). Equipped with a temperature control and a thermal protection, the LED light can also be installed dry. The lifetime of these lights is up to 100,000 h.*



ProfiLux LED 1100/01

The light is supplied with a bracket with special fine adjustment. The LED light has a 4 mtr. long connecting cable with a watertight 24 V/DC connector.

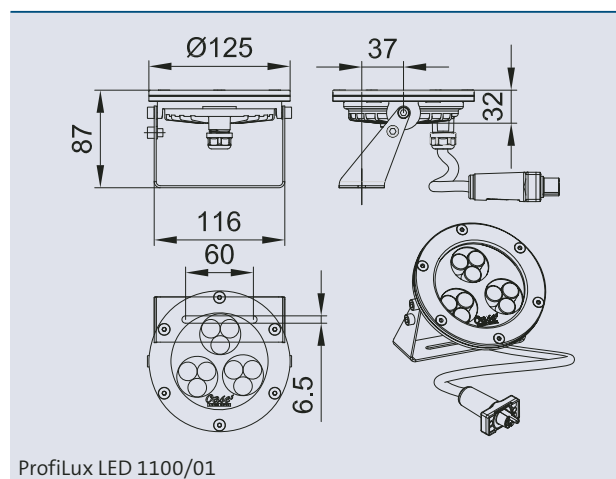
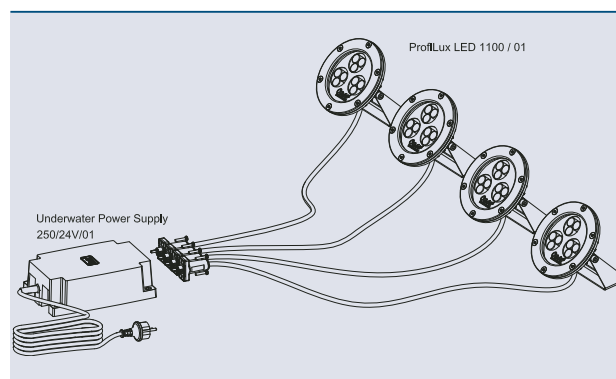
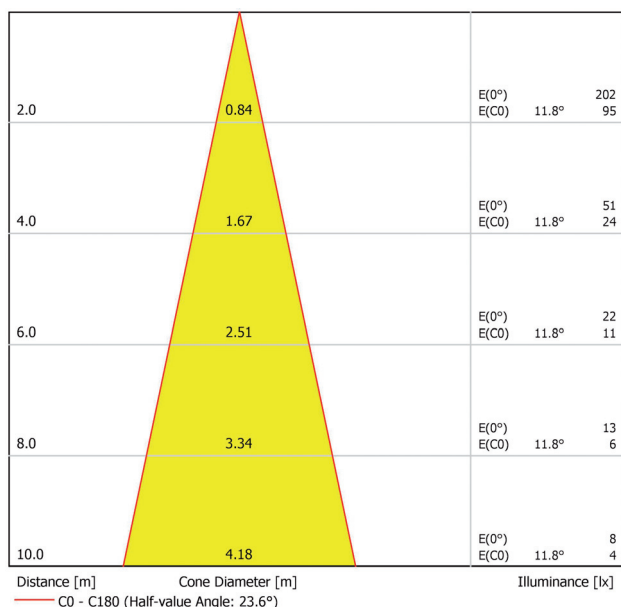
Product characteristics at a glance

- Energy efficient neutral white LED-light with bracket and fine adjustment.
- 918 Lumen with a beam angle of 11°, max. 23 Watt
- Colour Temperature 4000 K
- 24V/DC connector with 4 mtr. cable
- Watertight in accordance with IP 68, easy to connect
- Reverse polarity protection
- Temperature controlled high quality LED for an extra-long life of up to 100,000 h.*
- Wet and dry installation
- For fresh-, pool- and sea water
- Compact design ((Ø x h) 125 x 32 [mm])
- DMX/RDM-controllable with Underwater Switch 24V DC (on/off)

*In case of underwater application, an intelligent heat management and quality LED enables a lifetime of up to 100.000 hrs. This claim does not entitle to a guarantee.

The white 24 V/DC LED-light has a 4 mtr. long connecting cable with a 24 V/DC connector for connecting it directly to the Underwater power supply 250 24V/01 (50733, see page 170; see also system diagram 1).

The white LED can also be individually controlled via DMX. In that case the light should be connected directly to the Underwater Switch 24 V DC/DMX/02 (56411, see page 168). Up to 4 LED's can be controlled individually with this Underwater Switch (see system diagram 2). In addition a RDM-capable controller, for eg. WECS II (WECS II 512, WECS II 1024 or WECS II 2048, see page 174-182), is also required.



Accessories (must be ordered separately)

Freestand Light (see page 149)	50978
Lamp Holder (see page 150)	50786
Underwater Switch 24 V DC/DMX/02 (see page 168)	56411
Connecting cable DMX/01 (see page 162)	Order no.
Connecting cable DMX/1.0 m/01	12368
Connecting cable DMX/3.0 m/01	12369
Connecting cable DMX/5.0 m/01	12371
Connecting cable DMX/10.0 m/01	12372
Connecting cable DMX/20.0 m/01	12373
End Resistant for Bus-System DMX/01	12007
Connecting cable 24V DC/01 (see page 160)	Order no.
Connecting cable 24V DC /1.0 m/01	12762
Connecting cable 24V DC /3.0 m/01	12552
Connecting cable 24V DC /7.5 m/01	12553
Connecting cable 24V DC /15.0 m/01	11720
PowerBox 24 V DC / 01 (see page 160)	50493
Underwater power supply 250 / 24 V / 01 (see page 170)	50733
WECS II 512 / DMX/02 (see page 174)	56491
WECS II 1024 / DMX/02 (see page 174)	56492
WECS II 2048 / DMX/02 (see page 180)	56507

ProfiLux LED 1100 / 01		
Luminous flux white	[lm]	918
Colour temperature LED white	[K]	4000 (± 200)
Colour Rendering Index (CRI)	[%]	80
Beam angle	[°]	11 (± 2)
Energy efficiency category		A
Weighted energy consumption [kWh/1000h]		25.3
Rated voltage	[V/DC]	24
Power consumption	[W]	23
Rated current	[A]	0.95
Dim frequency	[Hz]	2800
Power connection type		24V DC plug
Cable length	[m]	4
Protection class		IP 68
Dimensions (Ø x h)	[mm]	125 x 87
Material		Stainless steel 1.4404 (AISI 316L)
Weight	[kg]	1.20
Order no.		51296