



PondJet with PondJet-Nozzle



Schaumsprudler 35-10 E

	Fresh Water	Pool Water	Sea Water	220-240 V	400 V	110-120 V	50 Hz	60 Hz	12 V AC	24 V DC	DMX	DMX/RDM	Plug and Spray
PondJet Eco 57704	✓	✓	✓	✓	✓	✓	✓	✓	✓	✓	✓	✓	✓
PondJet 54019	✓	✓	✓	✓	✓	✓	✓	✓	✓	✓	✓	✓	✓

PONDJET / PONDJET ECO

Thanks to the PondJet floating fountain pump, decorative fountains can easily and quickly be achieved without any complex installation.

Neither the depth of the water, nor a pond base that is very dirty or difficult to access are of significance here. Perfect for use at short notice.

INNOVATION – MADE BY OASE

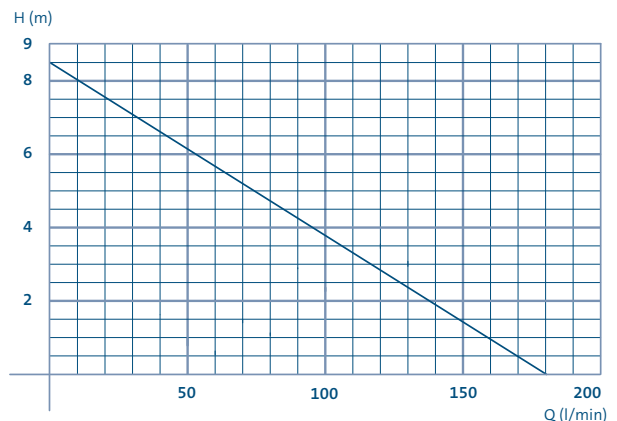


PondJet Eco

Product characteristics at a glance

- Ready-to-connect complete aggregate, consisting of pump, float element, and PondJet-nozzle with 1"-thread
- Clearly structured fountain height and spray diameter of 3 metres
- Minimum water depth in clear water is 1 m; for a muddy pond floor the minimum depth is 1.5 m
- Lighting set and additional nozzle patterns are available as accessories

Pump performance curve





PondJet-nozzle
with 1" thread, cover plate and plug. The 1" thread allows 25 mm / 1" fountain attachments to be attached on the multifunction nozzle of the PondJet.



1"-thread with nozzle
Here, as an example with a mounted Schaumsprudler 35-10E.



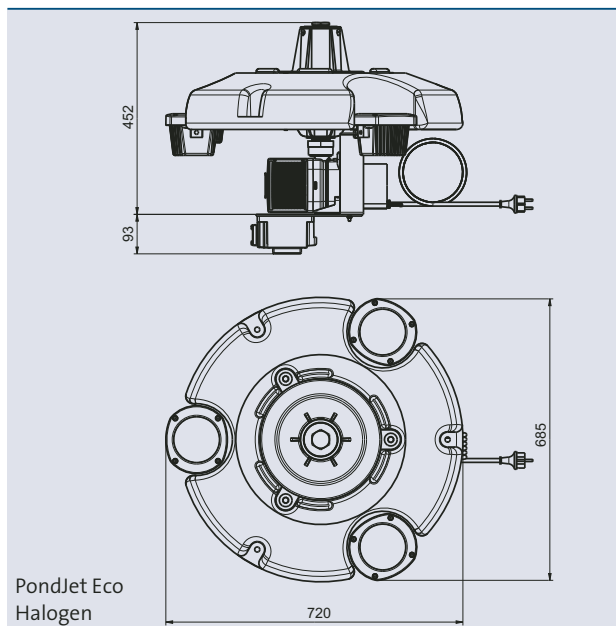
Dynamic function
The dynamic function can be activated by a switch. Thus attractive water patterns with different fountain heights are produced. This function enables an average reduction in power consumption of 105 W.



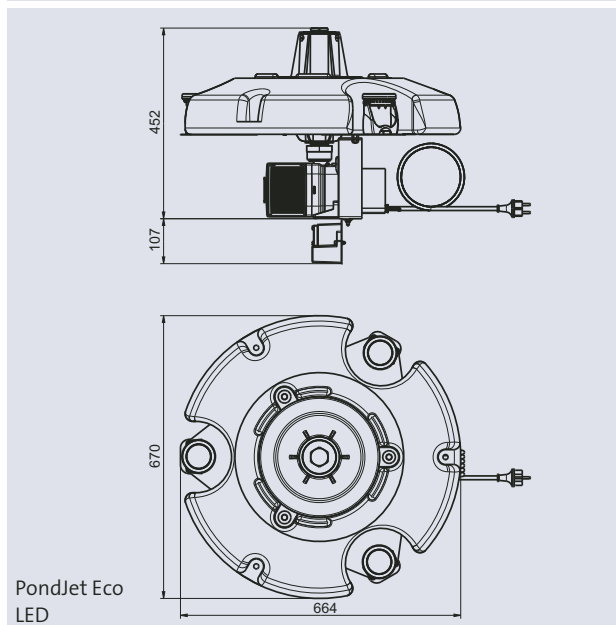
Connection possibility for the underwater transformer of the lighting set available as an accessory.



Accessories: Illumination set and fountain attachments
The optional LunAqua 10 spotlight set wonderfully illuminates water patterns. Additional fountain attachments are available.



PondJet Eco Halogen



PondJet Eco LED

Accessories (must be ordered separately)	Order no.
Schaumsprudler 35-10 E (see page 64)	50986
Vulcan 43-3 Silver (see page 59)	50766
Illumination Set PondJet (see page 86)	57083
LED-floating fountain illumination white (see page 86)	42637

Accessories (must be ordered separately)	Order no.
Schaumsprudler 35-10 E (see page 64)	50986
Vulcan 43-3 Silver (see page 59)	50766
Illumination Set PondJet (see page 86)	51071

PondJet Eco		
Dimensions (Ø x H)	[mm]	670 x 540
Rated voltage	[V/Hz]	220 - 240 / 50 / 60
Power consumption	[W]	190
Flow rate max.	[l/min.]	180
Flow rate max.	[l/h]	10800
Head height max.	[m]	8.5
Pressure-side connection	[inch]	1
Spray height	[m]	3.0
Filter surface area	[cm ²]	420
Cable length	[m]	20.0
Weight	[kg]	15.20
Order no.		57704

PondJet		
Dimensions (Ø x H)	[ft]	2.2 x 1.8
Operating voltage	[V/Hz]	110-120 / 60
Power consumption	[W/A]	260 / 2.2
Flow rate max.	[gpm]	40
Flow rate max.	[gph]	2400
Head height max.	[ft.]	28
Pressure-side connection	[in.]	1
Spray height max.	[ft.]	10
Spray width max.	[ft.]	10
Cable length	[ft.]	75
Weight	[lbs.]	16.8
Order no.		54019