



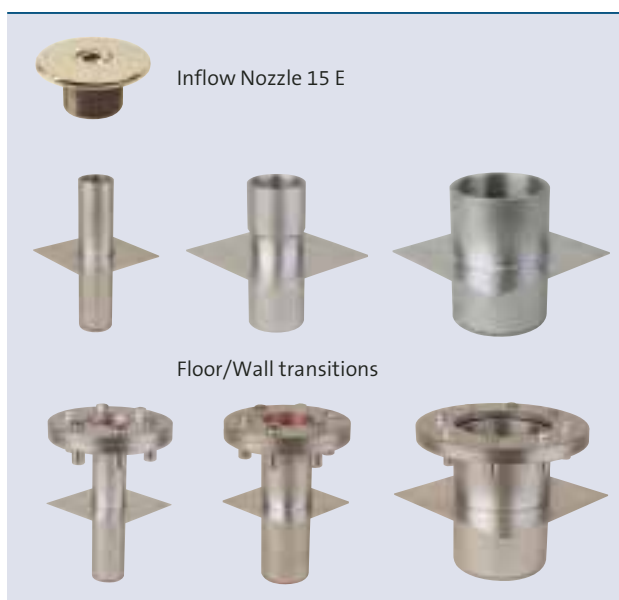
	Fresh Water	Pool Water	Sea Water
Floor/wall transition			
Inflow nozzle 15 E			

INFLOW NOZZLE 15 E

For undisturbed satisfaction in clean fountain pools and ponds.

Filtered water is fed back into the pool through stainless steel and bronze inflow nozzles. Direction of flow can be changed by adjusting the nozzle.

Fresh water inlet armatures are used to fill the pool and for top-up feed of evaporated water from the public drinking water network. The water-level can be adjusted from 100 to 1000 mm.



FLOOR/WALL TRANSITIONS

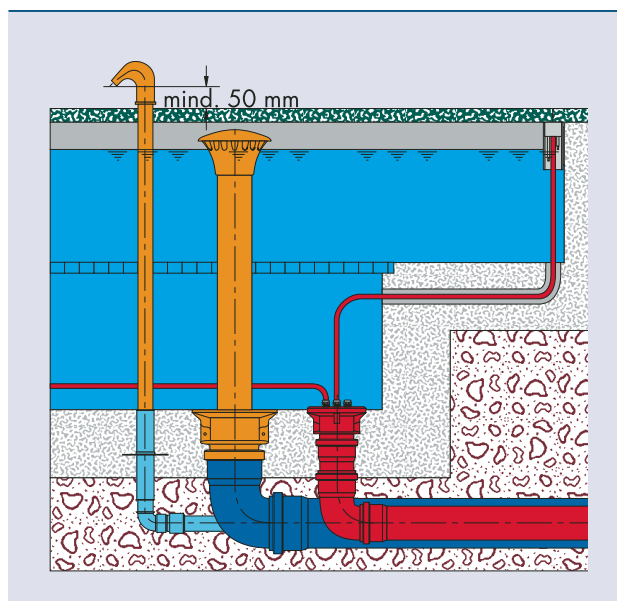
Trouble-free pipe routing through pool walls or pool floors is indispensable.

OASE floor/wall transitions are made of high-grade stainless steel and have a large-surface concrete-tight flange with grounding possibility.

Models with liner clamping flange are available for pools with liner.

Product characteristics at a glance

- Versatile implementation
- Easy to install
- Extremely corrosion resistant



Inflow nozzle	Inflow nozzle 15 E
Inflow nozzle	Inflow nozzle 15 E
Dimensions (LxWxH) [mm]	Ø 101x31
Thread	1 1/2"
Material	Stainless steel
Weight [kg]	0.3
Order no.	53086

Floor/Wall transition	Floor/Wall transition 10-175 E	Floor/Wall transition 15-175 E	Floor/Wall transition 20-175 E	Floor/Wall transition 40-175 E
Floor/Wall transition	Floor/Wall transition 10-175 E	Floor/Wall transition 15-175 E	Floor/Wall transition 20-175 E	Floor/Wall transition 40-175 E
Dimensions (LxWxH) [mm]	100x100x175	100x100x175	150x150x175	200x200x175
Thread	1"	1 1/2"	2"	4"
Material	Stainless steel 1.4571 (AISI 316Ti)			
Weight [kg]	0.6	1.1	2.0	3.6
Order no.	51141	51142	51143	52790

Floor/Wall transition	Floor/Wall transition/F 10-175 E	Floor/Wall transition/F 15-175 E	Floor/Wall transition/F 20-175 E	Floor/Wall transition/F 40-175 E
Floor/Wall transition	Floor/Wall transition/F 10-175 E	Floor/Wall transition/F 15-175 E	Floor/Wall transition/F 20-175 E	Floor/Wall transition/F 40-175 E
Dimensions (LxWxH) [mm]	100x100x191	100x100x191	150x150x191	200x200x191
Thread	1"	1 1/2"	2"	4"
Material	Stainless steel 1.4571 (AISI 316Ti)			
Weight [kg]	3.0	3.4	4.7	8.3
Order no.	51145	51146	51147	53013