



Gushing nozzle

	Fresh Water	Pool Water	Sea Water	220-240 V	400 V	110-120 V	50 Hz	60 Hz	12 V AC	24 V DC	DMX	DMX/RDM	Plug and Spray
Gushing nozzle	✓	✓	✓	✓	✓	✓	✓	✓	✓	✓	✓	✓	✓

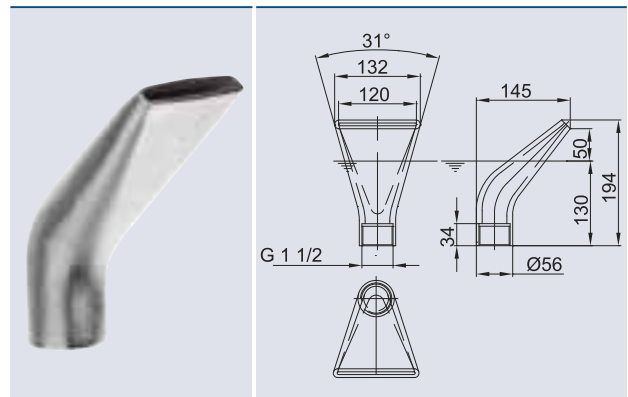
GUSHING NOZZLE 115-15 SILVER

Whether as single nozzle or as group arranged around a central nozzle – the gushing nozzle generates a full water pattern of impressive presence.

The gushing nozzle spouts a fan-shaped water surge that is mostly closed, with a thickness of 6 mm and a radiating angle of approximately 30°.

Product characteristics at a glance

- Striking water pattern
- Extensively wind-stable
- Water-level independent
- Durable chromed and nickel plated brass



Gushing nozzle 115-15 Silver

Dimensions (L x W x H) [mm]	132 x 145 x 194			
Parabola width PW	PH	SPB	DWB	DDB
	[m]	[m]	[L/min.]	[bar]
0.50 [m]	0.10	0.25	94	0.04
0.75 [m]	0.15	0.33	112	0.06
1.00 [m]	0.20	0.42	131	0.08
1.25 [m]	0.26	0.50	150	0.10
1.50 [m]	0.33	0.58	168	0.12
1.75 [m]	0.40	0.67	187	0.14
2.00 [m]	0.48	0.75	205	0.15
2.50 [m]	0.62	0.92	243	0.19
3.00 [m]	0.77	1.08	280	0.23
3.50 [m]	0.92	1.25	317	0.27
4.00 [m]	1.06	1.42	354	0.31
4.50 [m]	1.21	1.58	392	0.34
Material	Double coated brass			
Weight [kg]	2.5			
Order no.	50767			

Accessories (must be ordered separately)	Order no.
Swivel connection 10 silver (see page 244)	51015
Swivel connection 15 silver (see page 244)	51016
Sleeve 10 silver (see page 244)	51018
Sleeve 15 silver (see page 244)	51019
Swivel ball joint 10 (see page 245)	51165
Adapter G 10 / NPT 10 (see page 244)	51026
Adapter G 15 / NPT 15 (see page 244)	51027
Reducing sleeve 15 x 10 (see page 245)	51032
Reducing sleeve 20 x 15 (see page 245)	51030
Flow Valve 10 (see page 245)	51033